



QUICKIE® Q500 M

MANUEL DE PIÈCES

MAI 2021

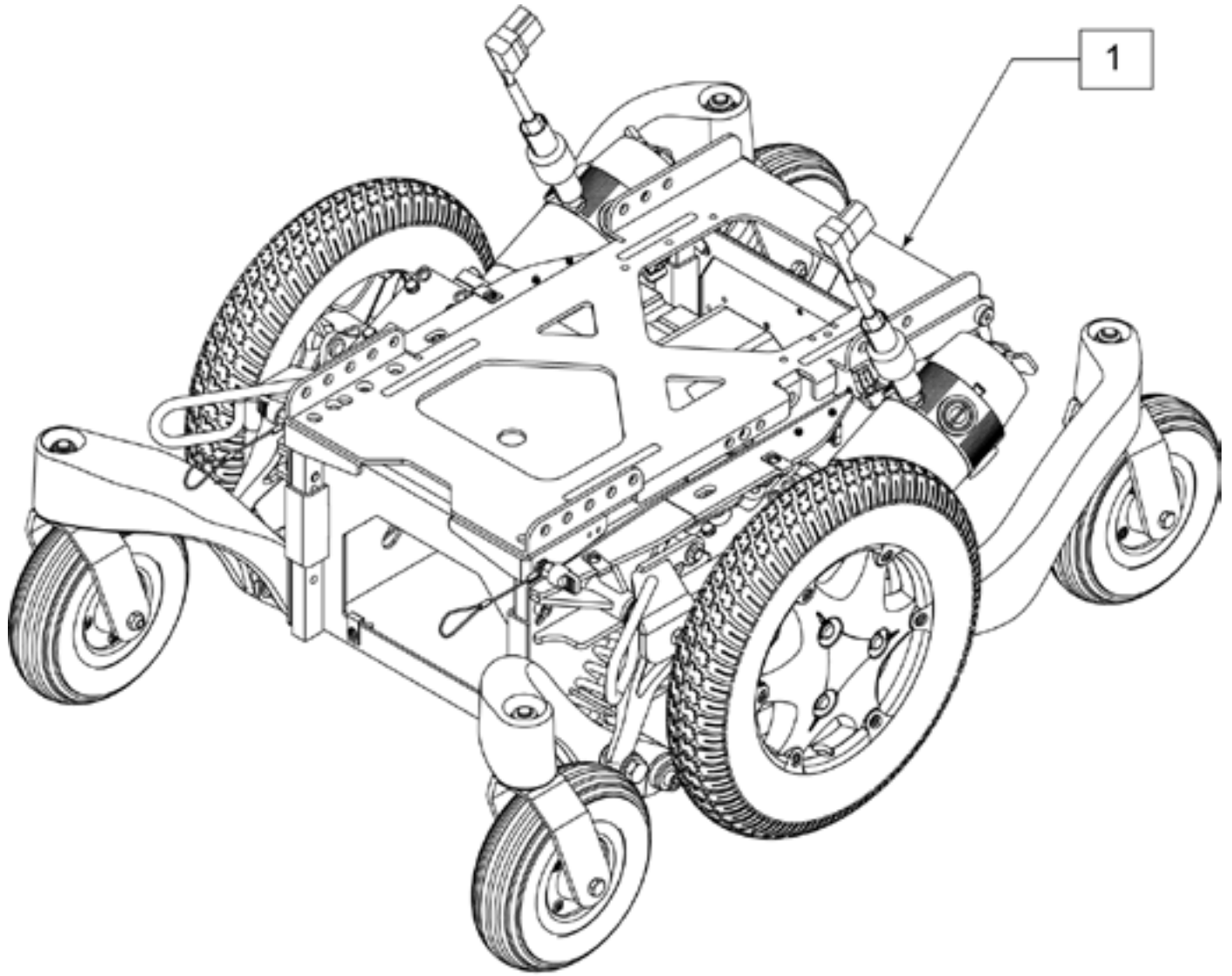


Améliorer la vie des gens

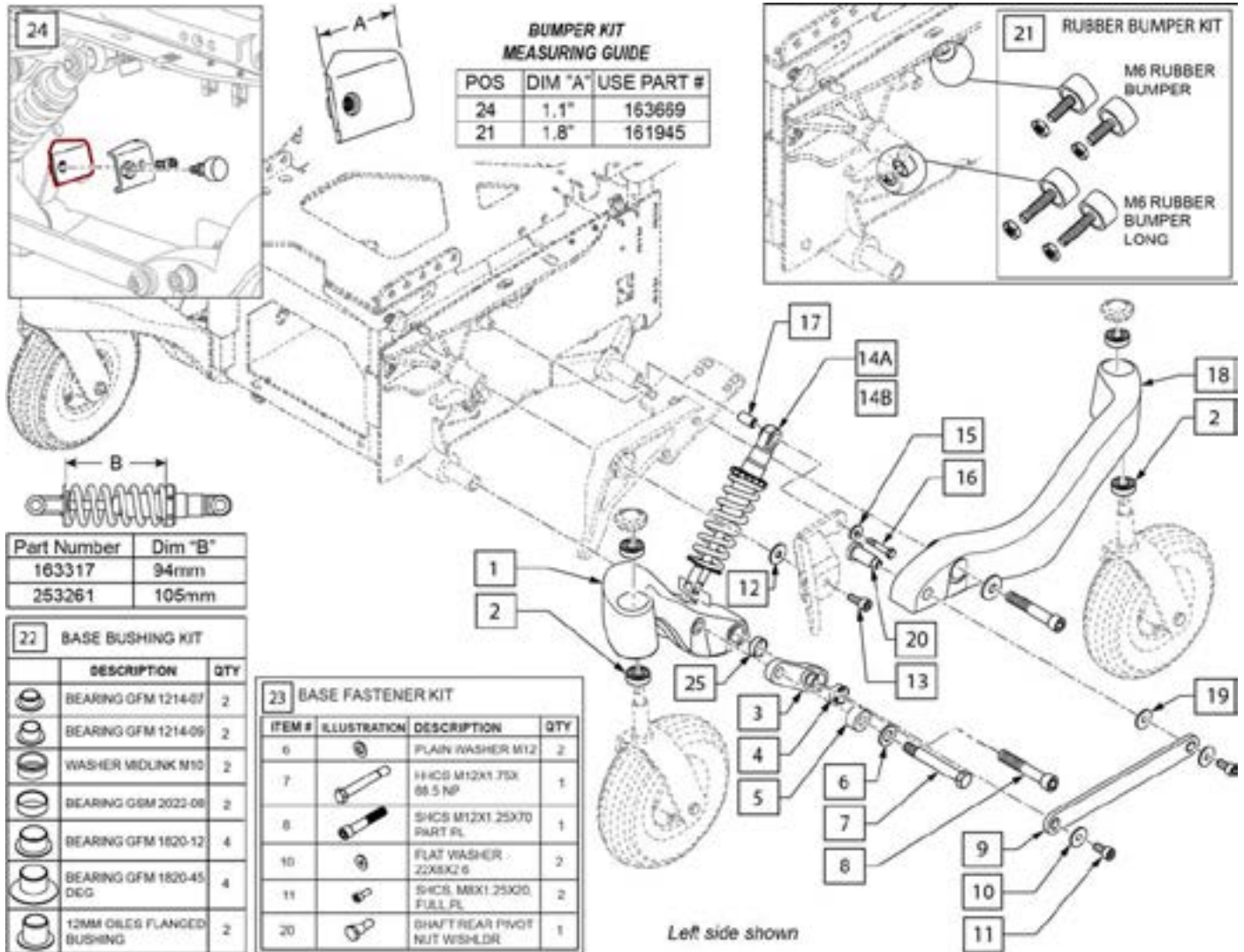
FR_RV1_QC_RAMQ_20195007

Q500M - FRAME.....	4
Q500M - SUSPENSION.....	5
LIGHTING.....	7
LIGHTING WITH ISM.....	8
Q500M - CASTERS & FORKS.....	9
DRIVE WHEEL 6 SPOKE.....	10
4 POLE QUICKIE MOTOR ASSEMBLY effective S/N Q5MP-093852 & Q5MC-012611.....	11
Q500M - SHROUDS.....	12
Q500 M COLOR ACCENTS.....	14
POWER CENTER MOUNT ELR POWER EXT SEDEO.....	15
POWER CENTER MOUNT MECHANICAL EXT ELR PARTS.....	16
FIXED CENTER MOUNT FOOTREST SEDEO.....	17
SEATING FILLER MODULE.....	18
SEAT FRAME ASSEMBLY SEDEO LITE.....	19
SEATING INTERFACE ADAPTER PLATE.....	20
LIFT MODULE.....	21
TILT MODULE.....	22
LIFT & TILT COMBO MODULE.....	23
STANDARD BACK UPHOLSTERY LITE.....	24
TENSION ADJUSTABLE BACKREST UPHOLSTERY SEDEO LITE.....	26
BACKREST SEDEO LITE.....	27
FOLDING BACKREST W/ ADJUSTABLE BACK CANES.....	28
ARMREST PADS SEDEO LITE.....	30
CANTILEVER ARMREST SEDEO LITE.....	32
ROUND EXTENSION TUBE.....	33
CENTER MOUNT LEGREST SEDEO LITE.....	34
POWER CENTER ACTUATOR KITS.....	35
PRO / LITE HANGER RECEIVER.....	36
ADJUSTABLE RECEIVER FOR SWING AWAY HANGERS.....	37
65 & 70 DEGREE SWING-AWAY HANGERS.....	38
90 DEGREE SWING-AWAY HANGERS.....	39
PALETTE RABATTABLE NON RÉGLABLE EN ANGLE ET SURDIMENSIONNÉE.....	40
PALETTE RÉGLABLE EN ANGLE ET EN PROFONDEUR STD.....	42
PALETTE RÉGLABLE EN ANGLE SURDIMENSIONNÉE.....	44
PRO MANUAL ELR LEGREST.....	46
PRO POWER ELR LEGREST.....	48
PRO SWING AWAY CALF PADS & KNEE PAD.....	51
OXYGEN TANK HOLDER SEDEO LITE.....	53
LATERAL KNEE SUPPORT FOR SEDEO.....	54
LATERAL THIGH SUPPORT SEDEO.....	56
PRO SEATING COMPLETE ASSEMBLIES FIXED BACKREST (TOOL ADJ).....	57
PRO SEATING COMPLETE ASSEMBLIES POWER RECLINE ANTI SHEAR.....	58
SEATING FILLER MODULE.....	59
SEATING INTERFACE ADAPTER PLATE.....	60
PRO SEAT FRAME ASSEMBLY SHORT.....	61
PRO SEAT FRAME ASSEMBLY LONG.....	62
TILT MODULE.....	63
LIFT MODULE.....	64
LIFT & TILT COMBO MODULE.....	65
PRO BACKREST ATTACHMENT BRACKETS.....	66

FIXED BACKREST	67
BACKREST WITH SHEAR RECLINE (150 DEGREE)	69
COUSSIN PROFILÉ POUR APPUI-TÊTE	71
SUPPORT POUR APPUI-TÊTE AXYS	72
BACKREST WITH SHEAR RECLINE ACTUATOR (150 DEGREE)	73
RECLINE BACK QUICK RELEASE KIT	74
SEDEO PUSH HANDLES	75
PRO AFTERMARKET BACKREST ADAPTERS	76
ARMREST PADS SEDEO PRO	77
SEDEO RECLINING FLIP BACK ARMREST AND AXLE	79
PRO SINGLE POST REMOVABLE ARMREST	80
PRO FIXED BACK FLIP-BACK ARMREST	81
PRO 2-POINT LOCKING ARMREST	82
DUAL POST HEIGHT ADJUSTABLE FLIP-BACK ARMREST	83
FIXED CENTER MOUNT DUAL FOOT SEDEO PRO	85
LATERAL THIGH SUPPORT SEDEO	86
Q500 FLAT TOP BATTERIES	87
BATTERY CHARGER	88
BATTERY HARNESS	89
BUS HARNESS	90
WIRING Q500M WITH TM40	91
WIRING Q500M WITH RNET THRU DRIVE (1 ACTUATOR)	92
WIRING Q500M WITH RNET ISM OR ISML THRU DRIVE (2+ ACTUATORS)	94
C-ME WIRING Q500M WITH RNET THRU DRIVE (1 ACTUATOR)	98
C-ME WIRING Q500M WITH RNET ISM OR ISML THRU DRIVE (2+ ACTUATORS)	100
CJSM2 JOYSTICK ADVANCED	103
LED JOYSTICK	104
ATTENDANT CONTROL AND MOUNT RNET FOR PRO	105
CLAMP FOR ROUND ARM JOYSTICK MOUNT (FIXED)	106
OPTIONAL JOYSTICK HANDLES	107
RNET ACCESSORY ELECTRONICS)	108
RNET CONTROLLER Q500M	109
PRO & LITE ROUND TUBE S/A JOYSTICK MOUNT	110
ROUND ARM JOYSTICK MOUNT QTRONIX	112
MIDLINE JOYSTICK MOUNT	113
CLAMP FOR ROUND ARM JOYSTICK MOUNT (FIXED)	114
HEIGHT ADJ CLAMP FOR ROUND ARM JOYSTICK MOUNT (SPHA & DUAL POST ARMRESTS)	115
3 SWITCH HEAD ARRAY	116
LOW-PRESSURE SIP-N-PUFF PARTS	117
RIM PROPORTIONAL HEAD CONTROL AND MOUNTING HARDWARE	118
VERSASERIES PROPORTIONAL COMPACT JOYSTICKS	119
MICROSERIES JOYSTICKS MICRO PILOT/MICRO GUIDE IN BULLET TRAY	120
TOUGH JOYSTICKS	121
SJX6 HUB	122
COOL CUBE	123
OMNI2 FOR SEDEO PRO FIXED	124
OMNI2 FOR SEDEO PRO RECLINE	126
CTRL +5 FOR PRO	128
TOGGLE SWITCH ASSEMBLIES	129
DISTRIBUTION BLOCK AND BRACKET	131
DISTRIBUTION BLOCK SEDEO LITE	132
PRO SIDE GUARD (FOR SINGLE POST ARMREST)	133
PRO SEAT RAIL MOUNT SIDE GUARD	134
JAY ION CUSHION	135
BACK CUSHION (FLEXIBLE, DEEP CONTOUR, PASSIVE)	141
DOSSIER PLAQUE RIGIDE	143
BACKREST BRACKETS	144
HEADREST MOUNTS	145
CEINTURE	146
SIGNAL FLAG	147



Pos.	Item Number	Description	Remarks
1	241248	Q5M ASSY 4PL 10KPH BLK DD	Black Frame-Black Tires

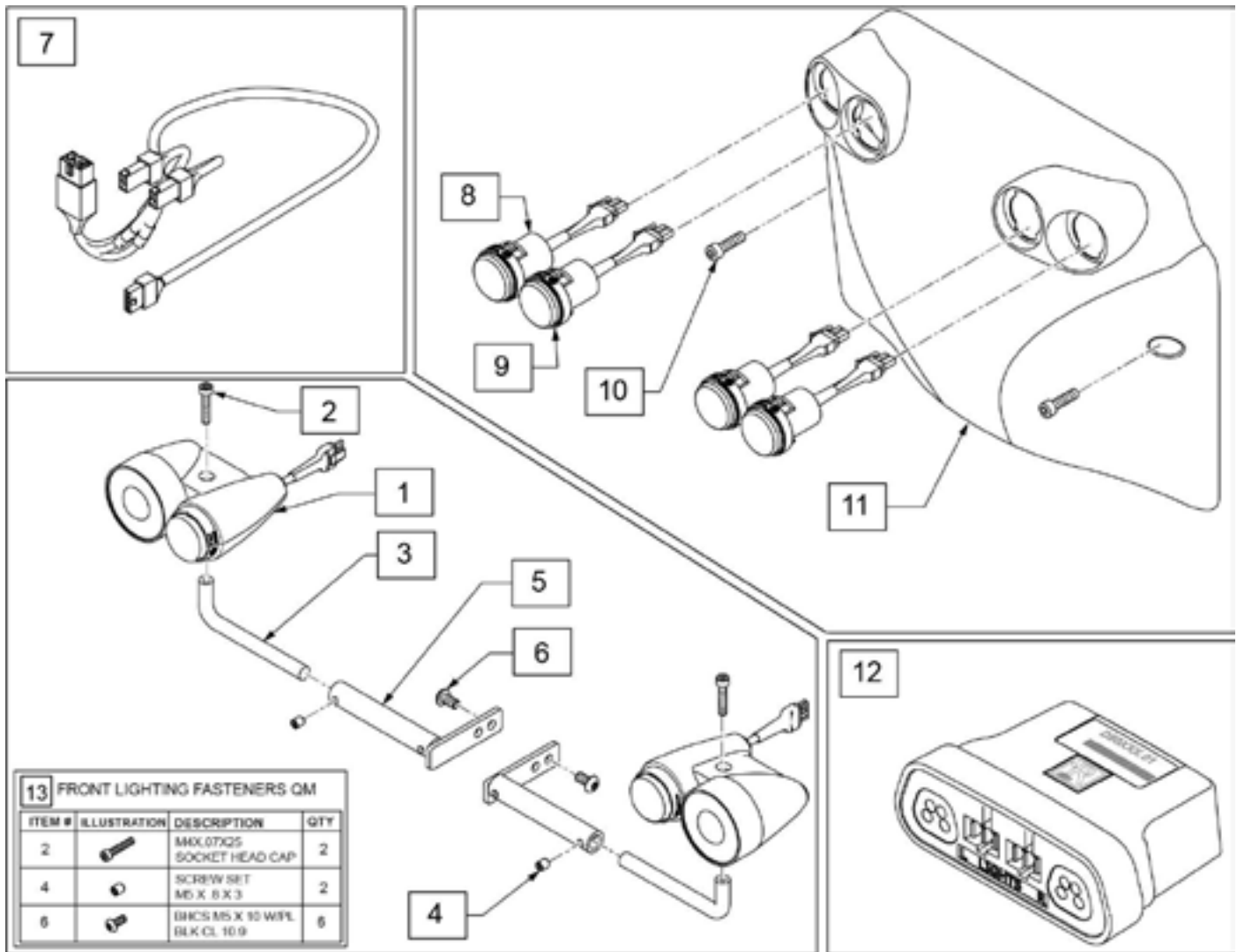


Pos.	Item Number	Description	Remarks
1,2	161941	FRONT CASTER ARM ASSM RH	Right
1,2	161942	FRONT CASTER ARM ASSM LH	Left
2	101686	CASTER BEARING	1 bearing 35mmx17mmx10mm
3,4,8,25	252365	Q500M MIDLINK PIVOT KIT	Pair
5-7,14A-17	163317	SUSPENSION SPRING KIT W/INST	Kit is for one side only
5-7,14B-17	168193	LT SUSP SPRING KIT W/INST	Used with Sedeo Pro/Lite with Filler Module
5-7	161940	FRONT STOP KIT	Kit is for one side only
9-11,19	161939	MIDLINK KIT	Kit includes: 1 link, 2 screws & 2 washers
2,18,20	161943	REAR CASTER ARM RH	Right; includes Bearings
2,18,20	161944	REAR CASTER ARM LH	Left; includes Bearings
21	161945	RUBBER BUMPER KIT	Kit includes 4 bumpers & 4 nuts
22	161947	BASE BUSHING KIT	Kit includes hardware for one side only
23	161946	BASE FASTENER KIT	Kit is for one side only
24	163669	Q500 BUMPER ADPTR KIT	Pair-2 lower bumpers,adapters,nuts,shcs

Note: for Caster Caps, see COLOR ACCENTS parts page.

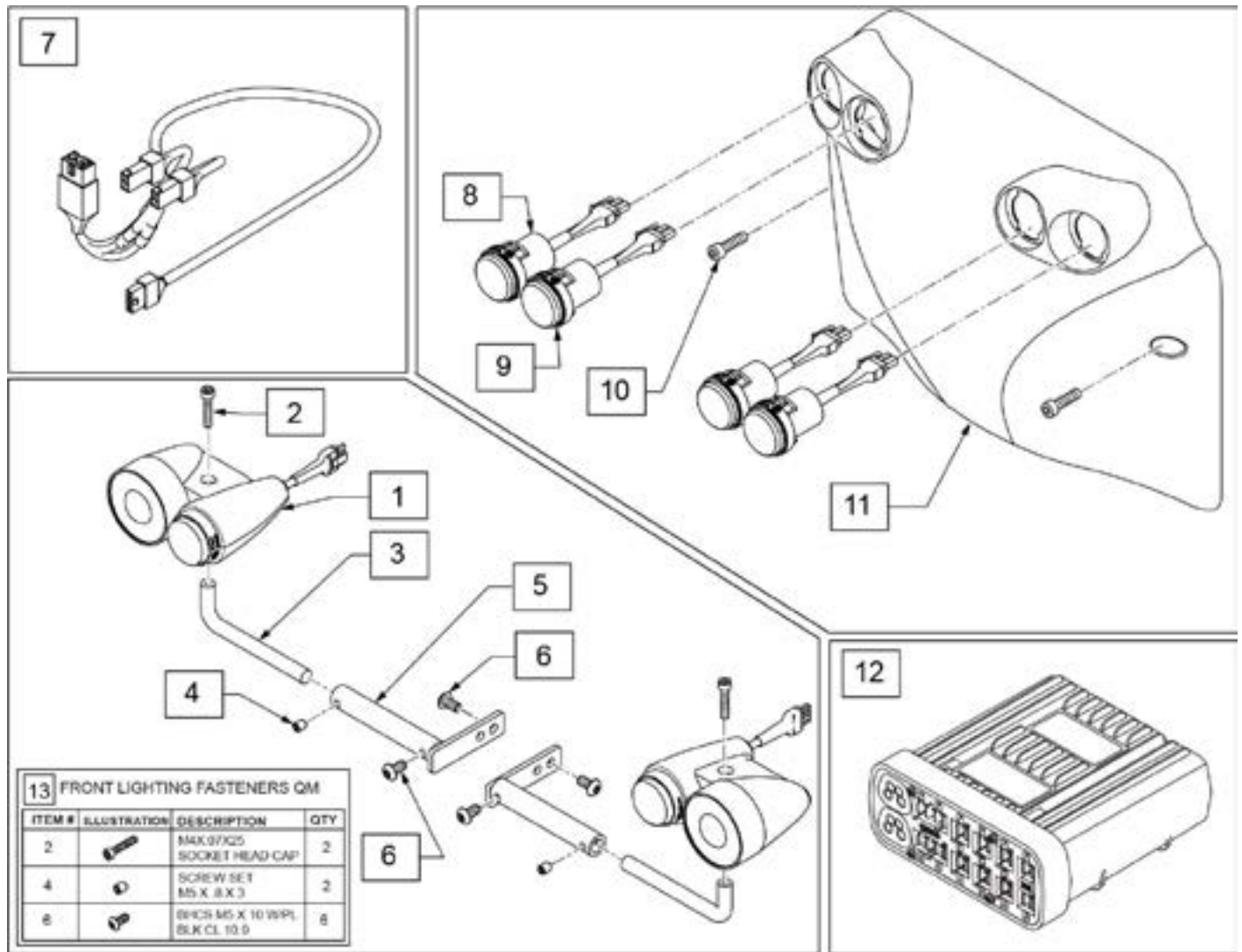
Note: Part number 163669 required prior to S/N date Sep/15/2019.

Note:When adding lights to a chair a compatible joystick may also be required.

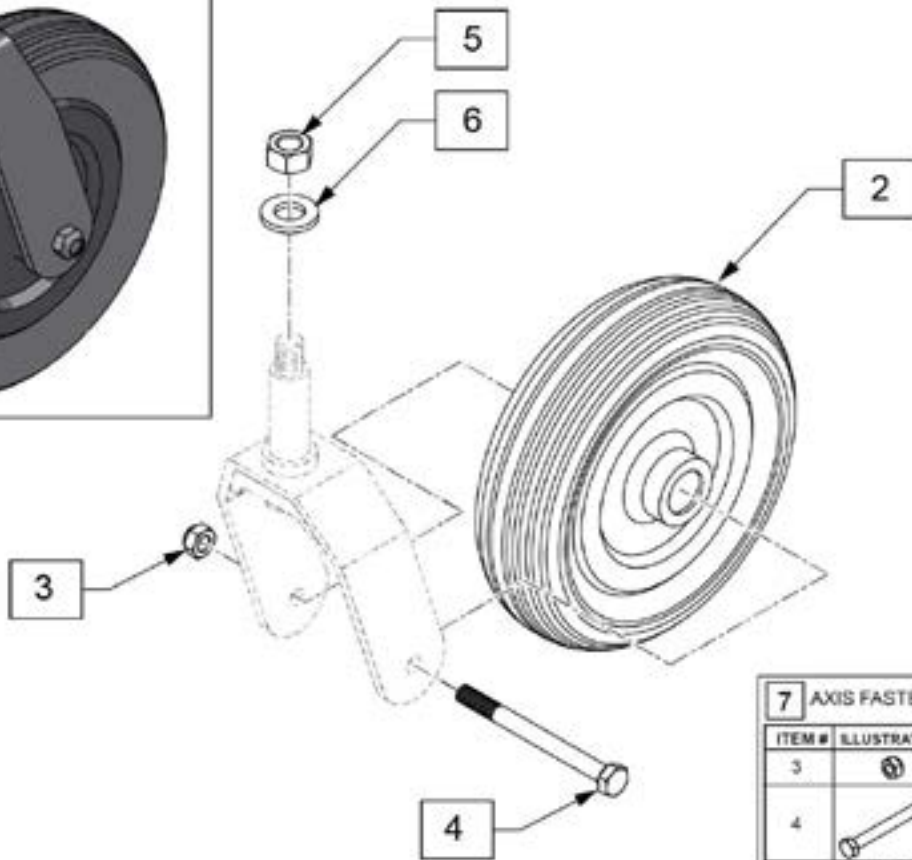
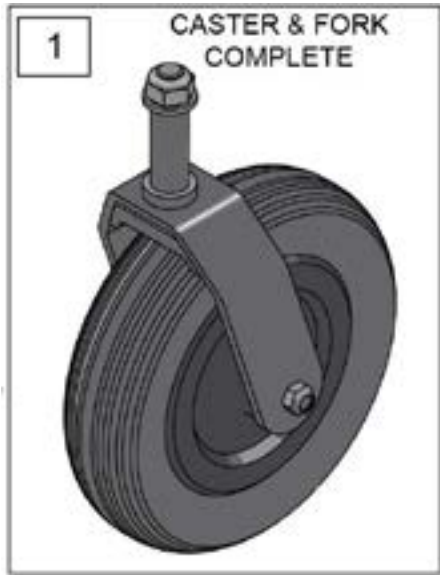


Pos.	Item Number	Description	Remarks
1	243298	FRONT LIGHT ASSY LH	Left
1	243301	FRONT LIGHT ASSY RH	Right
7	244584	LIGHT MODULE HARNESS	Light Module; qty 2 required
8	20009025-002	LED INDICATOR REAR LIGHT	Amber Signal Light
9	20009025-001	LED REAR LIGHT	Red Tail Light
10	112697	SHCS, M5 X 0.8 X 20, FULL, PL	
12	241648	LIGHT MODULE	
13	160911	FRONT LIGHTING FASTENERS QM	Fastener Front Kit; includes items 2,4,6
2-6	160909	FRONT LIGHT MNT RH	Right
2-6	160910	FRONT LIGHT MNT LH	Left
1-6	160912	FRONT LIGHTING ASSM	Pair
1-9,12	163176	LIGHTING RETRO KIT	
10,11	163173	REAR SHROUD W/HDWR	For color rear shrouds see shroud page

Note:When adding lights to a chair a compatible joystick may also be required.



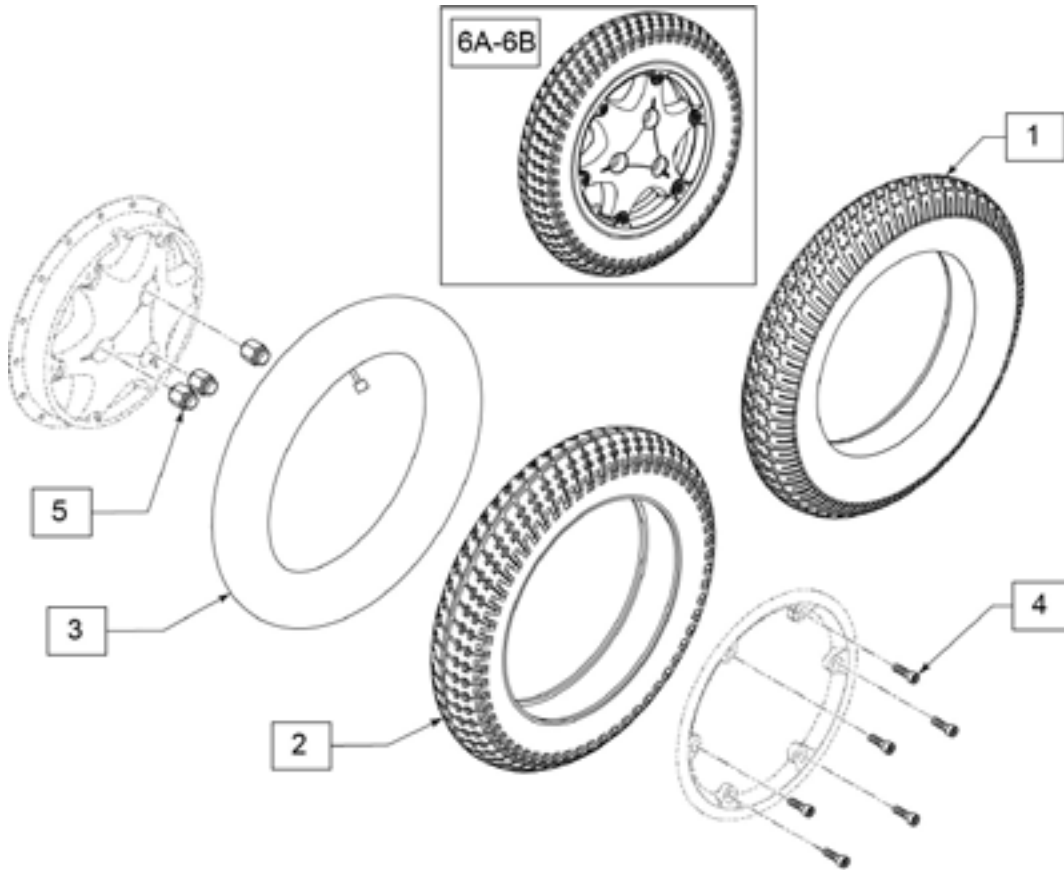
Pos.	Item Number	Description	Remarks
1	243298	FRONT LIGHT ASSY LH	Left
1	243301	FRONT LIGHT ASSY RH	Right
7	244585	ISML HARNESS	Light Module; qty 2 required
8	20009025-002	LED INDICATOR REAR LIGHT	Amber Signal Light
9	20009025-001	LED REAR LIGHT	Red Tail Light
10	112697	SHCS, M5 X 0.8 X 20, FULL, PL	
12	122177	MODULE INTEL ST W/LIGHTS P222	Referred to as ISM and used on chairs with Lighting
13	160911	FRONT LIGHTING FASTENERS QM	Fastener Front Kit; includes items 2,4,6
2-6	160909	FRONT LIGHT MNT RH	Right
2-6	160910	FRONT LIGHT MNT LH	Left
1-6	160912	FRONT LIGHTING ASSM	Pair
1-9,12	163566	LIGHTING W/ ISML RETRO KIT	
10,11	163173	REAR SHROUD W/HDWR	For color rear shrouds see shroud page



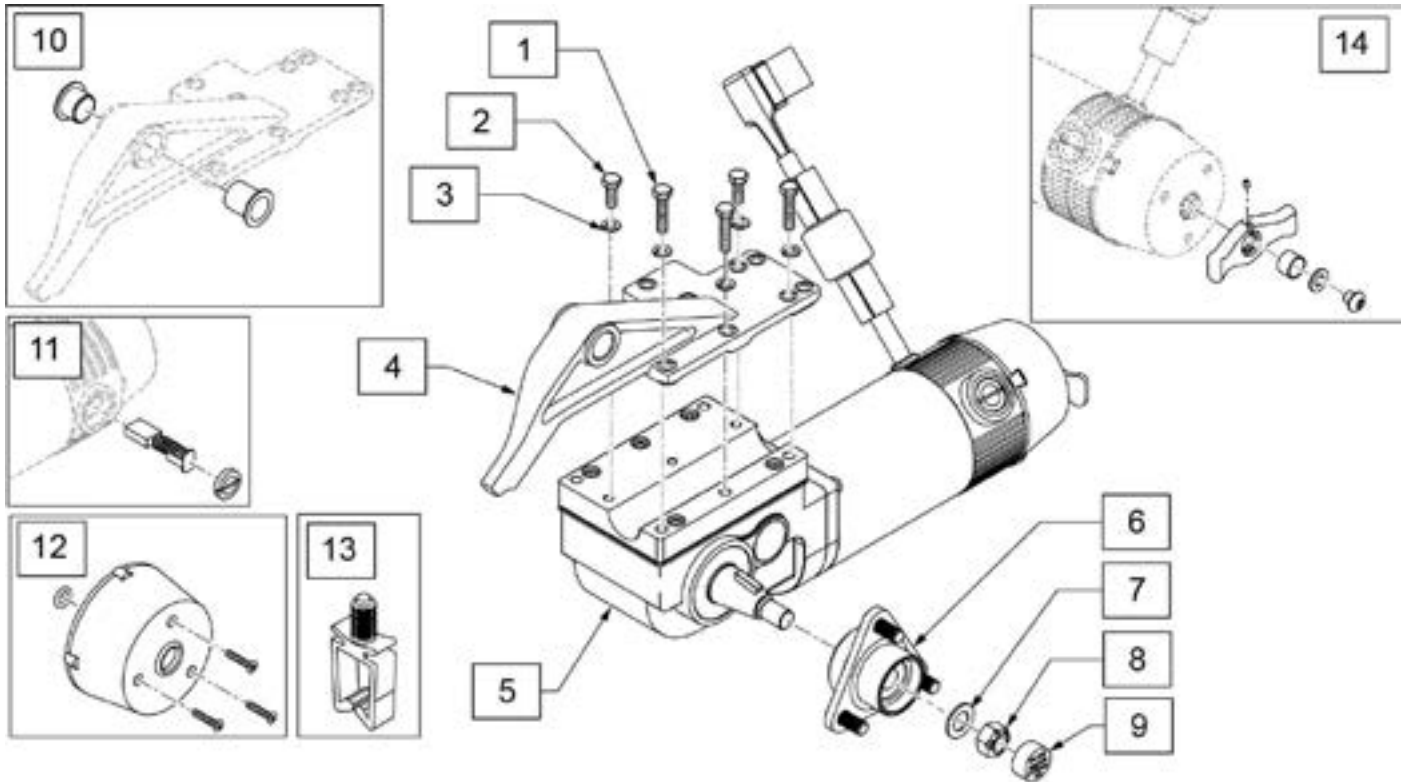
7 AXIS FASTENERS KIT			
ITEM #	ILLUSTRATION	DESCRIPTION	QTY
3		NUT HEX NYLOCK	1
4		HHCS M8X1.25X85 NP-CLS 10.9	1
5		NUT M12X1	1
6		PLAIN WASHER M12	1

Pos.	Item Number	Description	Remarks
1	247565	CASTER FORK ASSM W/BLK TIRE RH	Right; with Black Tires
1	161934	CASTER FORK ASSM W/BLK TIRE LH	Left; with Black Tires
2-4	247566	7" CASTER WHEEL W/HDWR	includes hardware for one side only
	243157	FORK ONLY	
7	161938	CASTER FORK FASTENERS	includes hardware for one side only

DRIVE WHEEL 6 SPOKE

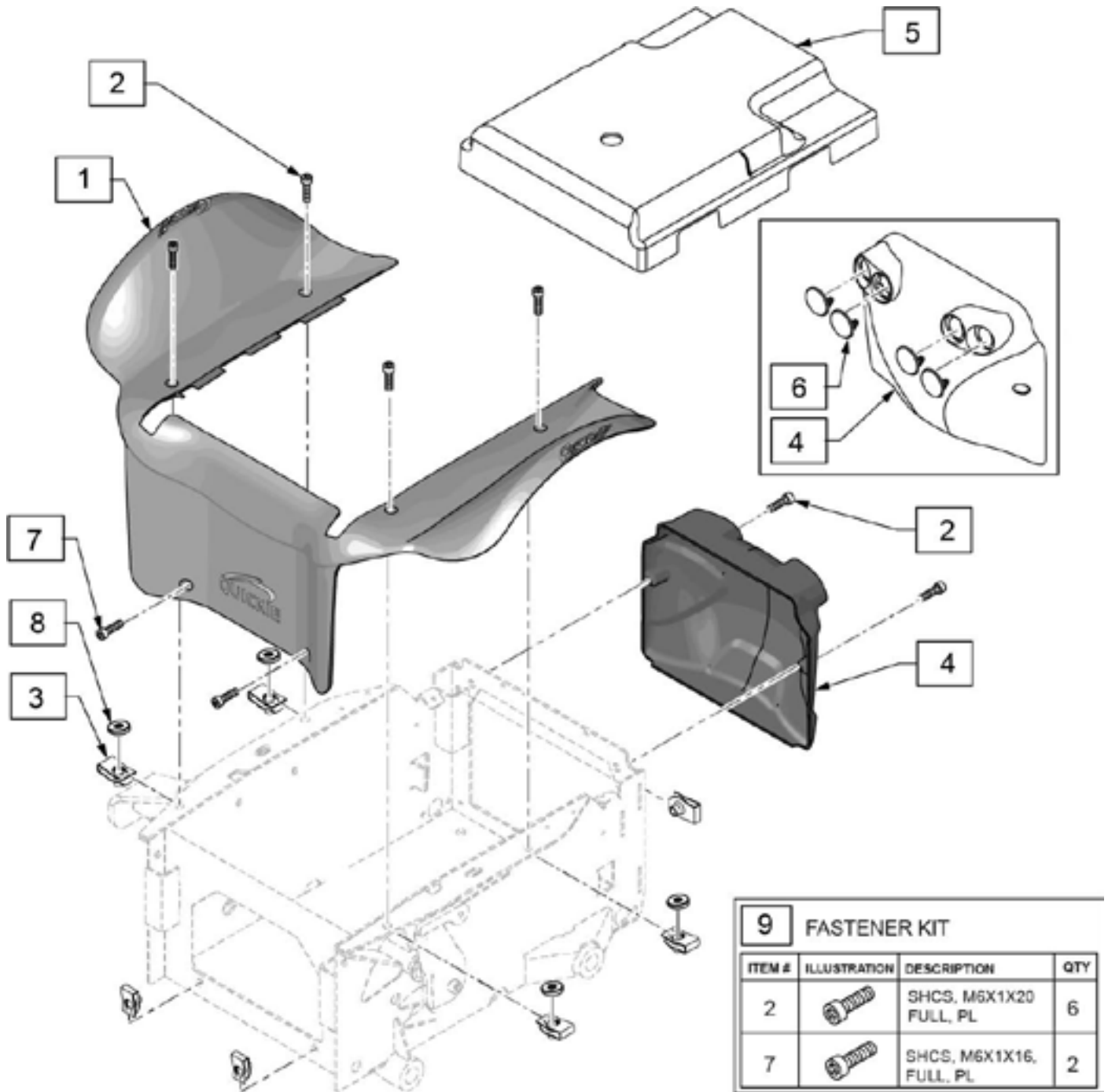


Pos.	Item Number	Description	Remarks
1	126537	TIRE DD INSERT 13 X 2.5 X 8 BLK	
2	247671	TIRE 13" X 2.5" X 8" PNEU BLK	
3	249809	13" X 2.5" X 8" INR TBE 45ANGLE VLV	
4	163240	DRIVE WHEEL HDWR KIT	Set of 6
5	161965	LUG NUT SET	Set of 3
6A	243578	6-SPOKE 13" X 2.5" KNOBBY BLK DD	
6B	244823	6-SPK 13" X 2.5" KNOBBY BLK PNEU	
	243565	INNER RING 6- SPOKE	
	243567	OUTER RING 12.5"-13"	



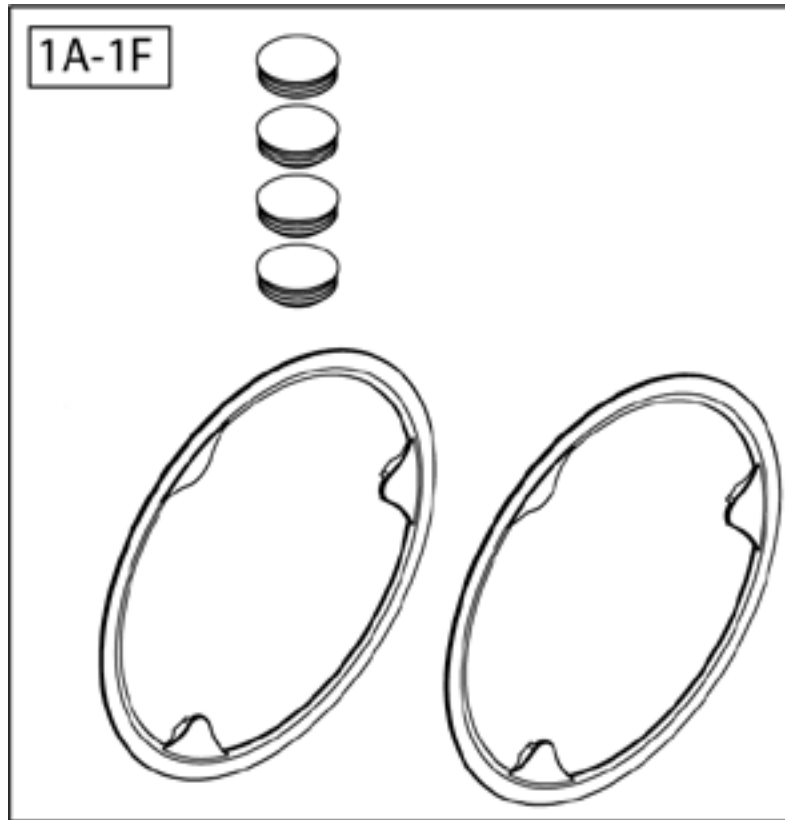
Pos.	Item Number	Description	Remarks
1-3	164130	Q500 QUICKIE MTR MNT HARDWARE	
1-4,10	252369	QUICKIE 4-PL MOTOR MOUNT KIT RH	Right; effective S/N Q5MP-093852 & Q5MC-012611
1-4,10	252370	QUICKIE 4-PL MOTOR MOUNT KIT LH	Left; effective S/N Q5MP-093852 & Q5MC-012611
5-9	250287	MTR W/HUB 10KPH 4-PL R	Right
5-9	250286	MTR W/HUB 10KPH 4-PL L	Left
6-9	161956	3 SPOKE 4PL HUB KIT	kit for one motor
11	112281	BRUSH KIT 4 PL	Includes 4 brushes & caps
12	112283	COVER BRAKE	
13	124936	CLIP, WIRE SADDLE	
14	252367	QUICKIE MOTOR BRAKE LVR KIT	
not shown	ST250287	MTR W/HUB 10KPH 4-PL W/ENCODER RH	Right; motor w/ Encoder SureTrack
not shown	ST250286	MTR W/HUB 10KPH 4-PL W/ENCODER LH	Left; motor w/ Encoder SureTrack
	015575	MOTOR ENCODER MODULE	Only for motor with Encoder

Note: for Shroud Lighting, refer to LIGHTING page.



Pos.	Item Number	Description	Remarks
3	162362	U-NUT KIT	
5	163175	BATTERY SHROUD KIT W/LABEL	
6	247300	CAP NON-LIGHTS REFLECTOR	
8	248485	10 DEG SHROUD SPACER	

Pos.	Item Number	Description	Remarks
9	163172	SHROUD HDWR KIT	
1,2,7	163320	Q5M MAIN SHRD ASSM	Standard Matte Black
1,2,7	163803	Q5M SHRD AMERICAN FLAG	
1,2,7	163804	Q5M SHRD CANDY RED	
1,2,7	163805	Q5M SHRD CANDY BLUE	
1,2,7	163806	Q5M SHRD CANDY PURPLE	
1,2,7	163807	Q5M SHRD GREEN	
1,2,7	163808	Q5M SHRD PEARL PINK	
1,2,7	163809	Q5M SHRD SILVER	
2,4,6	163174	REAR SHROUD W/HDWR & CAPS	Standard Matte Black
2,4,6	163761	QM REAR SHRD FLAG CAPS	
2,4,6	163762	QM REAR SHRD CANDY RED CAPS	
2,4,6	163763	QM REAR SHRD CANDY BLUE CAPS	
2,4,6	163764	QM REAR SHRD CANDY PURPLE CAPS	
2,4,6	163765	QM REAR SHRD GRN APPLE CAPS	
2,4,6	163766	QM REAR SHRD PEARL PINK CAPS	
2,4,6	163767	QM REAR SHRD SILVER CAPS	



Pos.	Item Number	Description	Remarks
1A	161948	CASTER CAP SET BLACK	Black
1B	161949	CASTER CAP SET WHITE	White
1C	161950	CASTER CAP SET ORANGE	Orange
1D	161951	CASTER CAP SET RED	Red
1E	161952	CASTER CAP SET GREEN	Green
1F	161953	CASTER CAP SET BLUE	Blue

Note: when retrofitting Power Center Mount ELR to a chair, Legrest Harnesses are required: see WIRING Q700M PRO parts page.

1A
1B
1C

Footplate Kit

DIM A	DESCRIPTION
11.25"	STANDARD
13.25"	LARGE

7 POWER CENTERMOUNT SMALL PARTS KIT

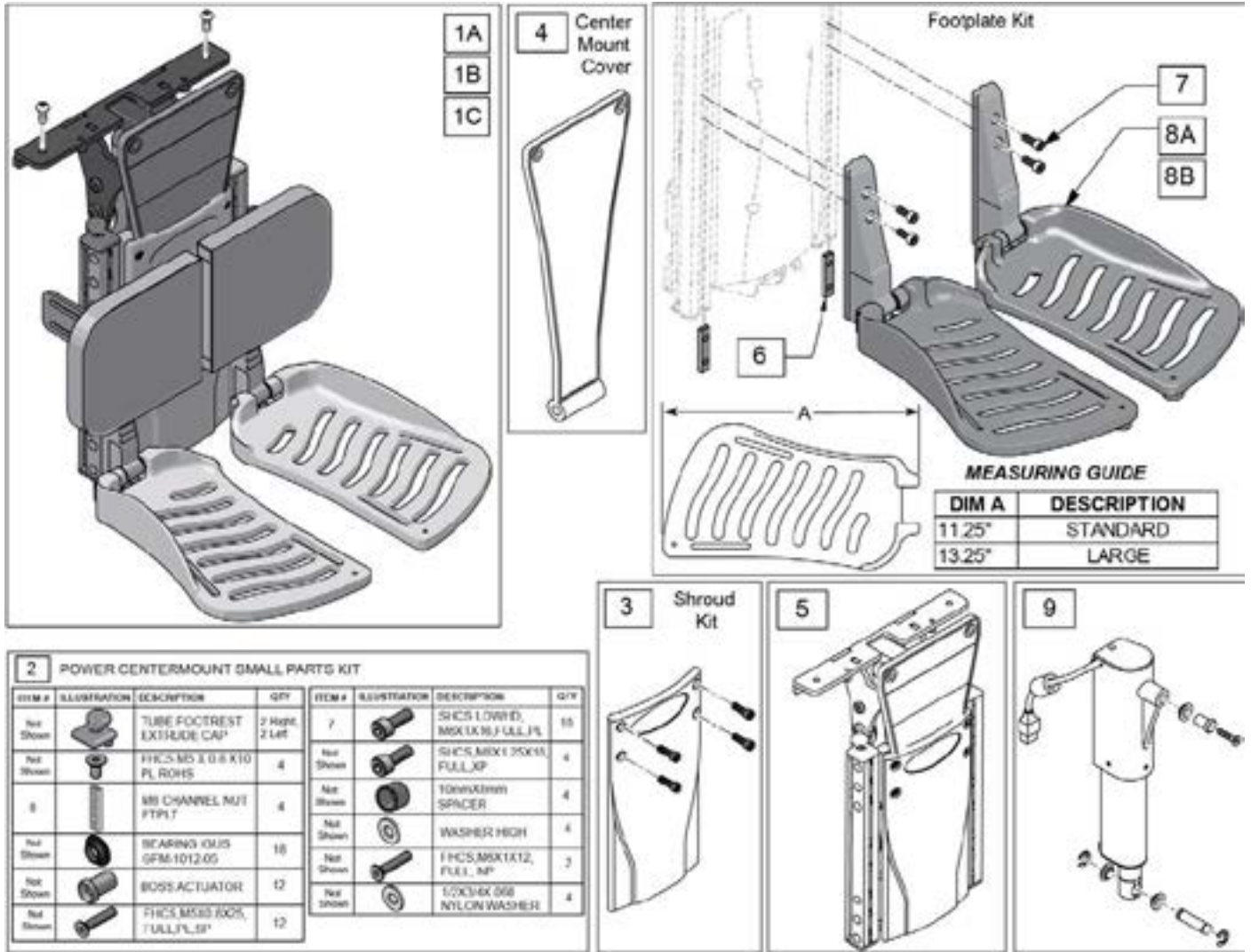
ITEM #	ILLUSTRATION	DESCRIPTION	QTY	ITEM #	ILLUSTRATION	DESCRIPTION	QTY
Not Shown		TUBE FOOTREST EXTRUDE CAP	2 Right, 2 Left	10		SHCS AM X 1 X 1/8 FULL, PL, SP	4
Not Shown		FHCS M5 X 0.8 X 10 PL, BUCHS	4	1		BEARING IGUS CFM-1012-05	4
Not Shown		BHCS, M5 X 0.8 X 8 FULL, PL, SP	4	Not Shown		BOSS ACTUATOR	4
1		M6 CHANNEL NUT FTPLT	4	Not Shown		FHCS M5X0.8X25, FULL, PL, SP	4
Not Shown		SHCS, M5X0.8X16, FULL, PL	2	Not Shown		ACT-MRX1.25-X12 PL	1
				Not Shown		SHCS M5X0.8X16, FULL, NP, SP	2

For Sedeo Seating

6 Shroud Kit

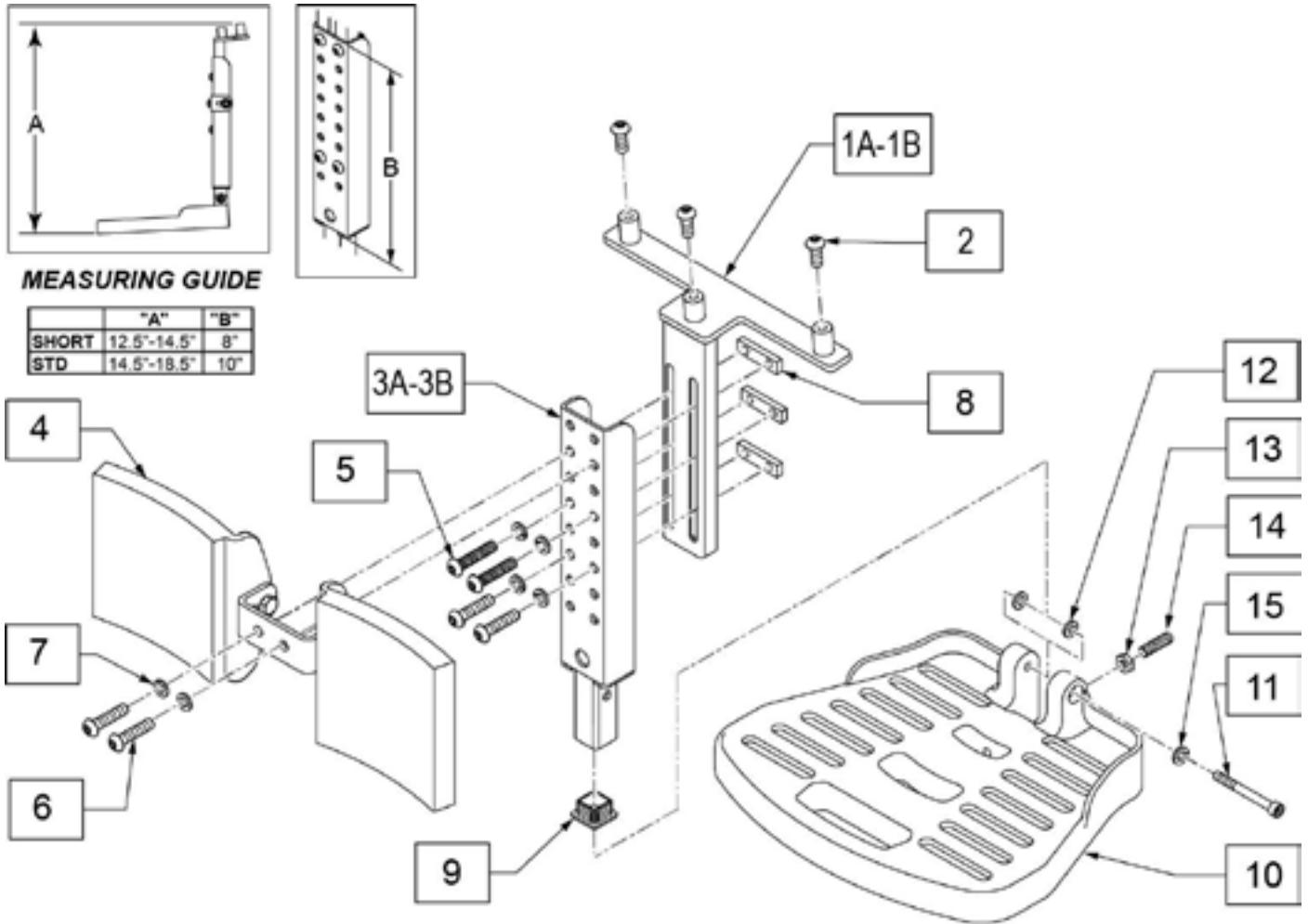
5 Footrest Tube

Pos.	Item Number	Description	Remarks
1A	163400	PCM ERGO STD FT STD PAD	includes Center Mount Cover
1B	163401	PCM ERGO LRG FT STD PAD	includes Center Mount Cover
1C	163402	PCM ERGO LRG FT LRG PAD	includes Center Mount Cover
2-4	159762	PCM BRACKET ASSM SDO	Sedeo Ergo
5	130320	TUBE FOOTREST	single tube fits left or right
6	136475	PCM SHROUD KIT	with Fasteners
7	136473	PWR CNTRMNT SMALL PRTS KIT	
8	131064	M6 CHANNEL NUT FTPLT	
8,9A,10	163193	FOOTPLATE KIT STD PCM PAIR	
8,9B,10	163194	FOOTPLATE KIT LRG PCM PAIR	
11	247670	PCM COVER SFT SE	Sedeo Ergo

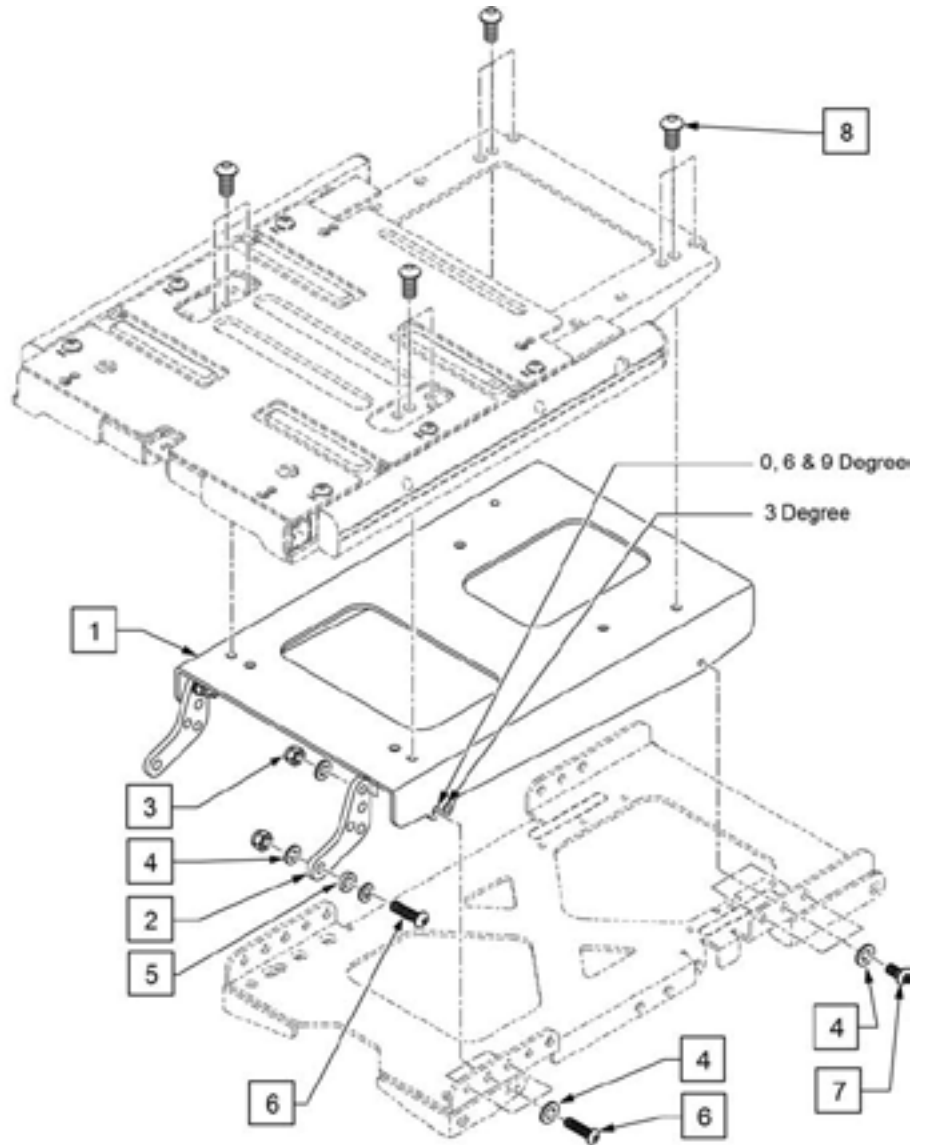
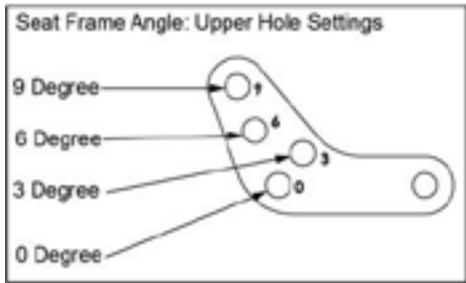


ITEM #	ILLUSTRATION	DESCRIPTION	QTY
Not Shown		TUBE FOOTREST EXTRUDE CAP	2 Right, 2 Left
Not Shown		FHC S-M6 X 0.8 X 10 PL ROHS	4
8		M6 CHANNEL NUT FTPL7	4
Not Shown		BEARING (MJD GFM-1012.05)	16
Not Shown		BOSS ACTUATOR	12
Not Shown		FHC S-M5.5 X 0.5 PL FULL PL SP	12

Pos.	Item Number	Description	Remarks
1A	163394	PCM PRO MECH STD FT STD PAD	
1B	163395	PCM PRO MECH LRG FT STD PAD	
1C	163396	PCM PRO MECH LRG FT LRG PAD	
2	163397	PCM PRO MECH SML PARTS KIT	
3	163398	PCM PRO MECH SHROUD KIT	
4	163480	PCM PRO MECH COVER W/INST	
5	245349	Single Actuator PCM	Includes actuator
6	131064	M6 CHANNEL NUT FTPLT	
6,7,8A	163193	FOOTPLATE KIT STD PCM PAIR	used for 14"W x 10"D
6,7,8B	163194	FOOTPLATE KIT LRG PCM PAIR	used for 16"W x 12"D
9	249756	ELEVATION ACTUATOR KIT SP	

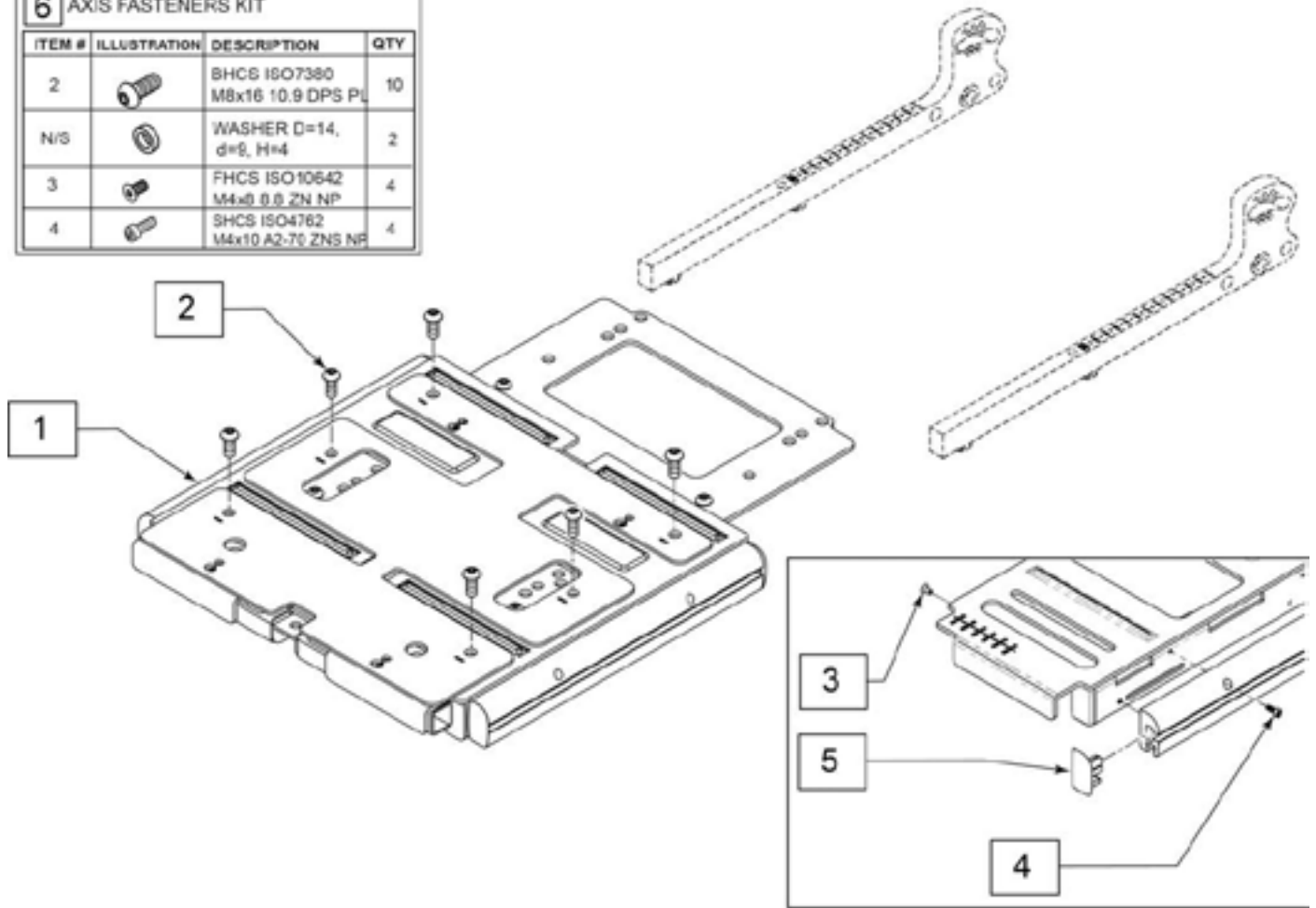


Pos.	Item Number	Description	Remarks
9	010615	SQUARE END CAP CNTR LEG SPPRT	
12	107196	SPACER M8 X 3.18	
15	250106	M8 LOCK WASHER	
4,6-8	103118	CALF PAD AND HARDWARE	
10-15	101685	QUICKIE FOOTPLATE	
1A,2,3A-15	163573	CENTER MOUNT SEDEO SHORT	Short
1B,2,3B-15	163574	CENTER MOUNT SEDEO LNG	Long



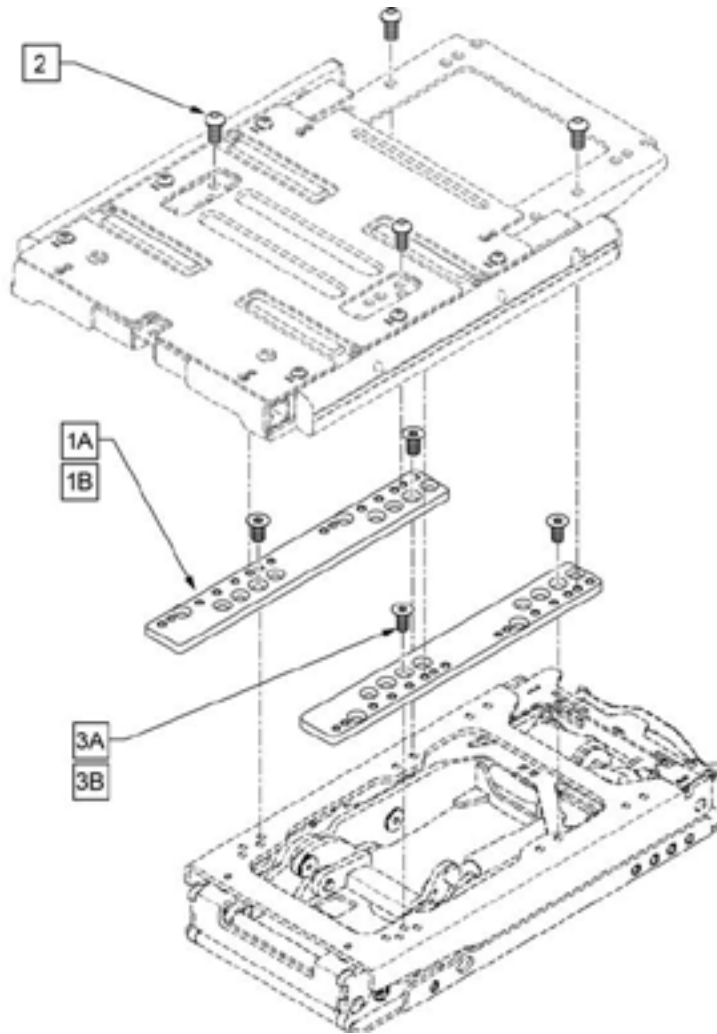
Pos.	Item Number	Description	Remarks
3	000102544-002	NUT ISO7040 M8 A2-70	
4	000130108	WASHER ISO7089 8,4 A2	
5	20010129	SPACER PLATE D=16, d=9, H=4	used with 3, 6 & 9 degree seat frame angle
6	000104085	BHCS ISO7380 M8 X 30 10.9 ZN NP	
7	000104140	BHCS ISO7380 M8 X 16 10.9 DPS PL	
8	103185-005	BHCS, M6 X 1 X 12, FUL, PL	
1-7	248721	FILLER MODULE 3 DEG	

6 AXIS FASTENERS KIT			
ITEM #	ILLUSTRATION	DESCRIPTION	QTY
2		BHCS ISO7380 M8x16 10.9 DPS PL	10
N/S		WASHER D=14, d=8, H=4	2
3		FHCS ISO10642 M4x8 8.8 ZN NP	4
4		SHCS ISO4762 M4x10 A2-70 ZNS NP	4



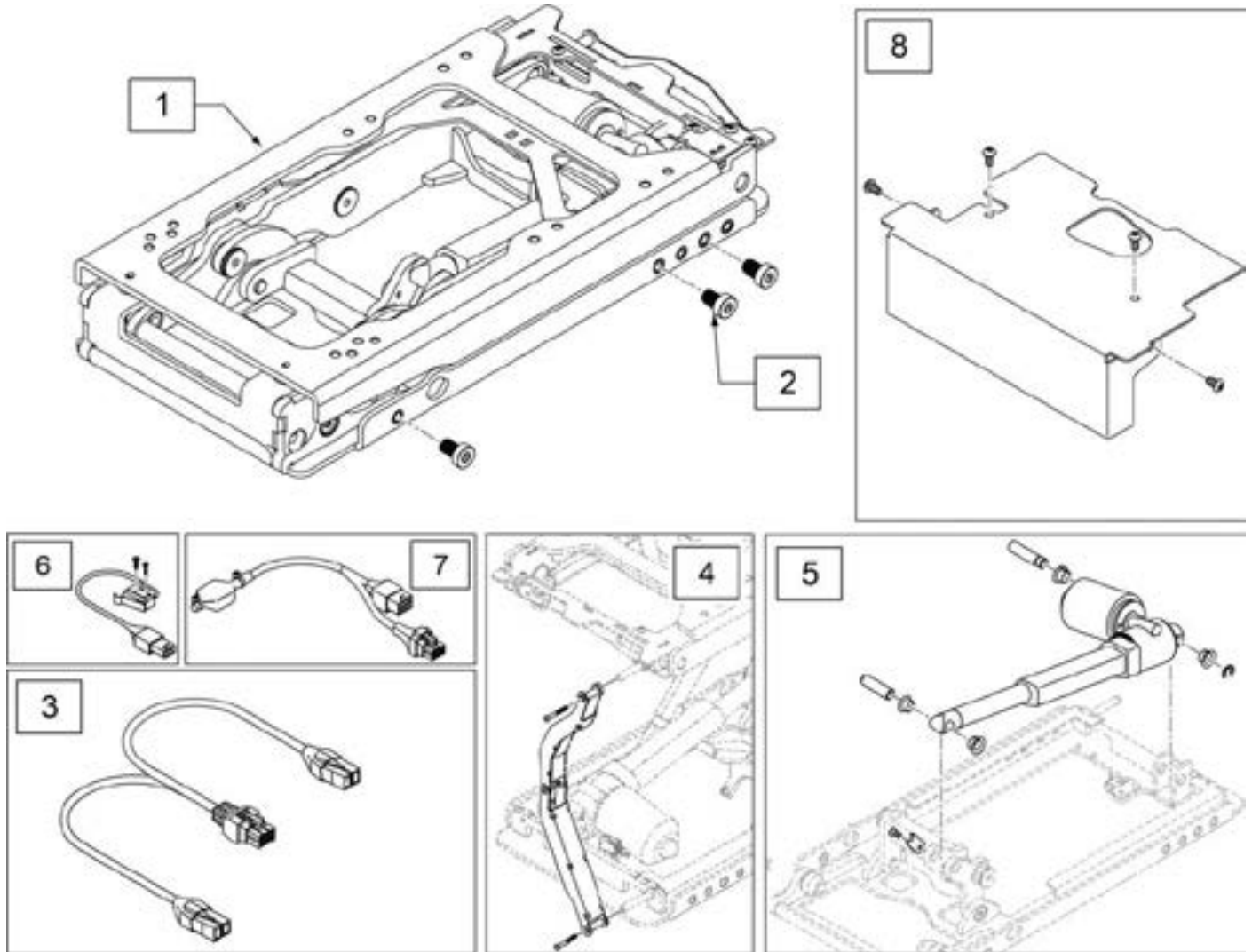
Pos.	Item Number	Description	Remarks
1-5	22802000	SEAT PLATE	
5	22502018	SEAT RAIL CAPS	Pair
6	163323	SEAT HARDWARE KIT	

Note: refer to instruction sheet for hole positions to attain desired configuration.



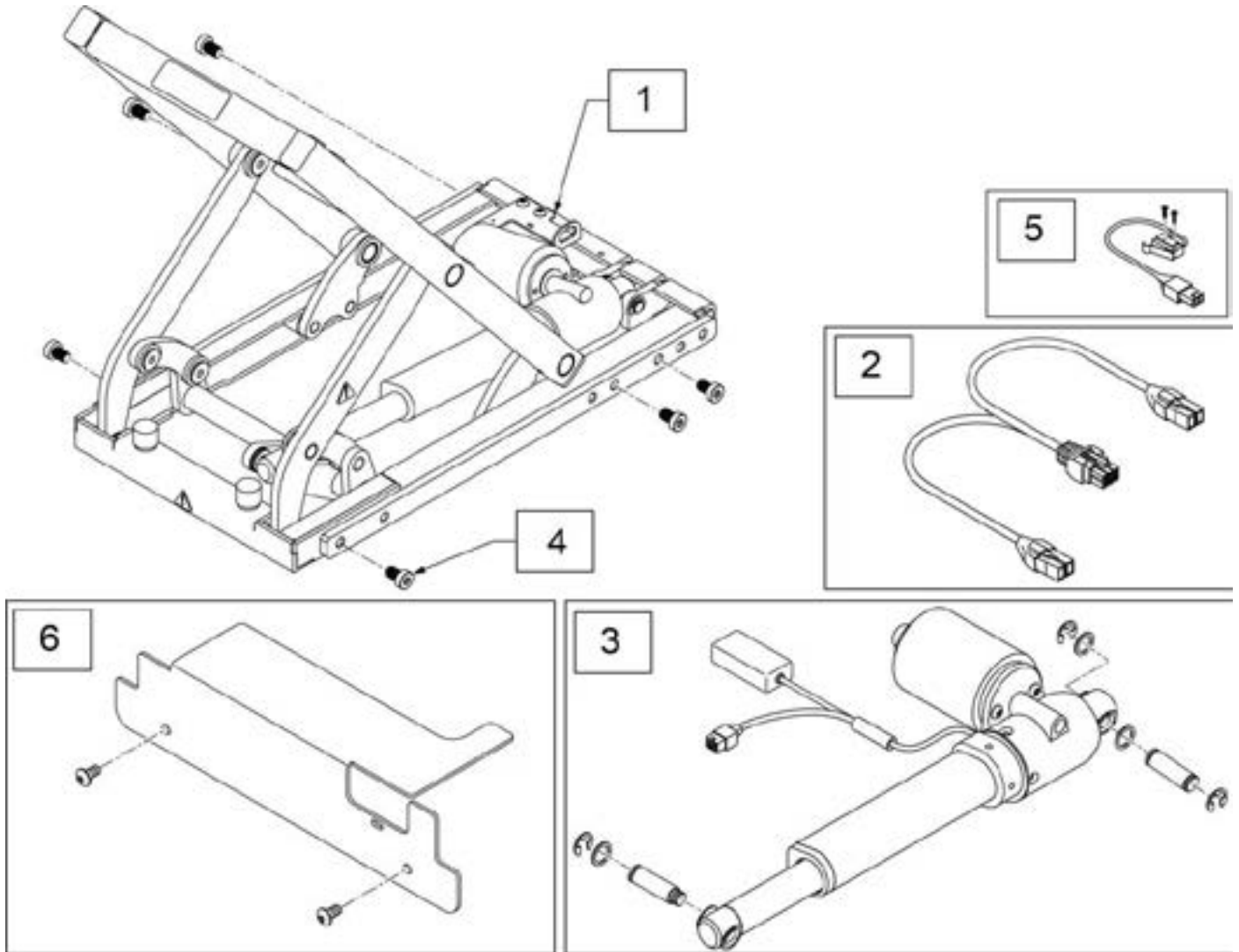
Pos.	Item Number	Description	Remarks
2	103185-005	BHCS M8 X 1.25 X 12	
3A	125756	FHCS, M8X1.25X12, FULL PL	to secure Adapter to Combo or Lift
3B	230129	FHCS M8 X 1.25 X20	to secure Adapter to Tilt
1A-3A,3B	163472	PRO SEAT INTERFACE LIFT/TLC	Pair; used with Combo or Lift
1B-3A,3B	163473	PRO SEAT INTERACE TILT	Pair; used with Tilt

Note: for Q700 Pro, Stability Module is required for a chair equipped with both C-Me Lift Module and Fixed Backrest; see STABILITY MODULE AND BRACKET parts page.



Pos.	Item Number	Description	Remarks
1-8	163325	LIFT MODULE W/ FASTENERS	Complete assembly
2	248502	SHCS M8X1.25X12 FULL PL	
3	248728	HARN ACT W/INHIBIT CH6 - 1200	
4	20010138	CABLE TRACK INCL MOUNTING MATERIAL	
5	163474	ACTUATOR PM7 LIFT W/INST	
6	20010141	LIMIT SWITCH W/PLUG	
7	248490	E BREAK PM7 ASSY	Not used with Switch Control
8	20010140	CABLE TRACK COVER WIDE	

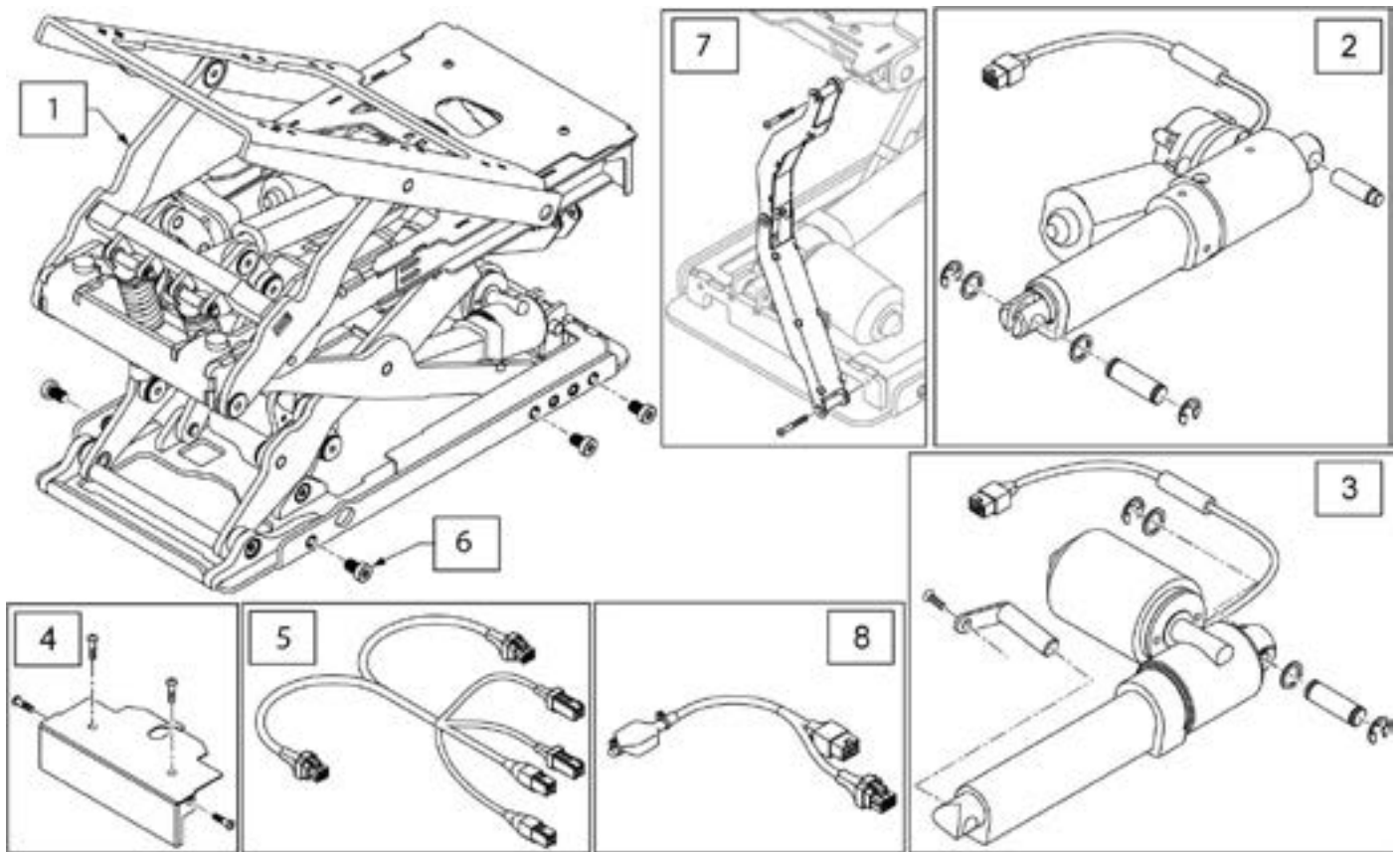
Note: for Q700 Pro, Stability Module is required for a chair equipped with both Tilt Module and any Reclining Backrest; see STABILITY MODULE AND BRACKET parts page.



Pos.	Item Number	Description	Remarks
2	108309-120	HARN ACT WITH PGD INHIBIT - 1200mm	47"
3	163475	PM4 ACTUATOR W/INST	does not include item 5 (switch)
4	248502	SHCS M8X1.25X12 FULL PL	
5	20010132	LIMIT SWITCH W/PLUG	
6	20010143	COVER FOR TILT MODULE	
1-6	163326	TILT MODULE W/ FASTENERS	

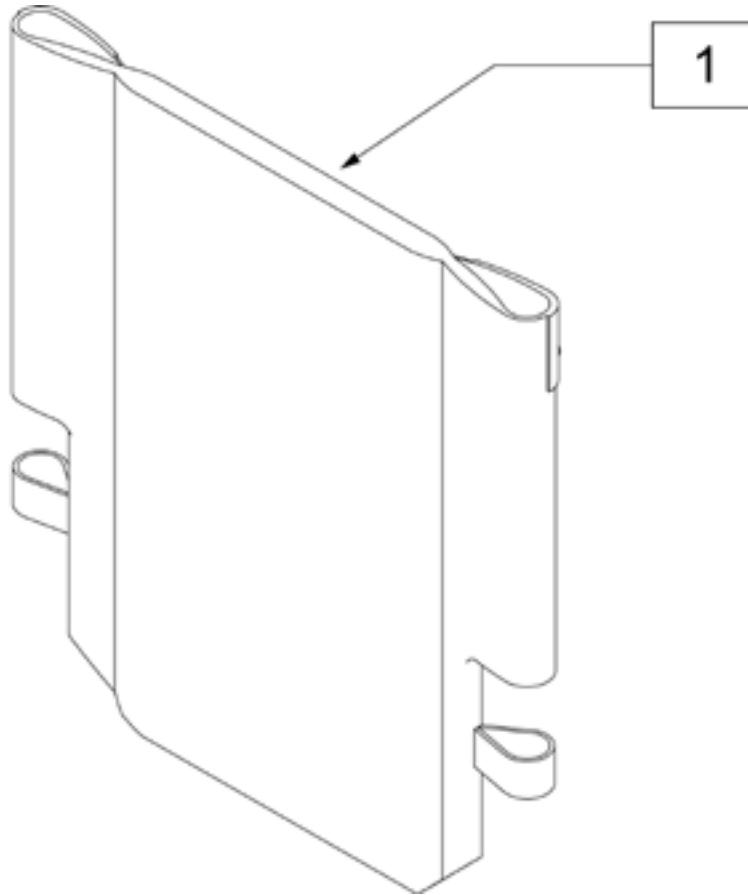
Note: for Q700 Pro, Stability Module is required for chairs equipped with both Lift & Tilt Combo Module and any Reclining Backrest, and chairs equipped with both C-Me Lift and Fixed Backrest; see STABILITY MODULE AND BRACKET parts page.

Note: For Q500M only available with C-Me option.



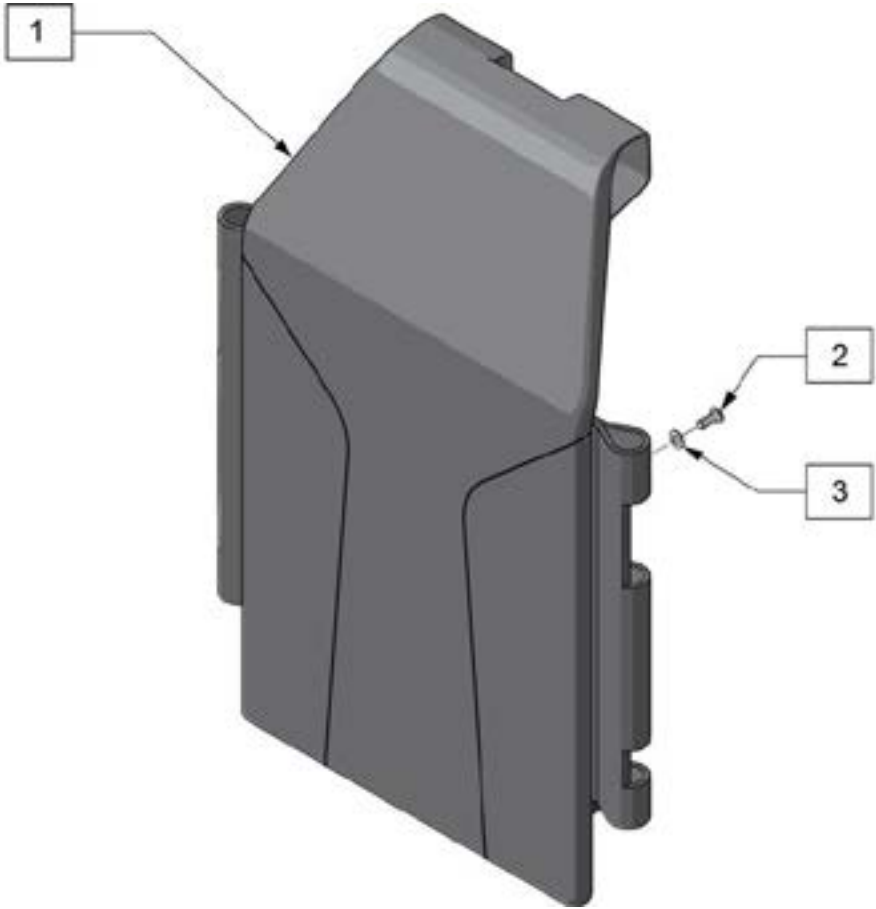
Pos.	Item Number	Description	Remarks
2	163476	ACTUATOR PM7 TILT COMBO W/INST	
3	163477	ACTUATOR PM7 LIFT COMBO W/INST	
4	20010139	COVER CABLE TRACK INCL MOUNTING MATERIAL	
5	248517	HARN, TLC ISM	
6	248502	SHCS M8X1.25X12 FULL PL	
7	20010137	CABLE TRACK INCL MOUNTING MATERIAL	
8	248490	E BREAK PM7 ASSY	Used on lift portion only
1-8	163327	LT COMBO MODULE W/ FASTENERS	

STANDARD BACK UPHOLSTERY LITE

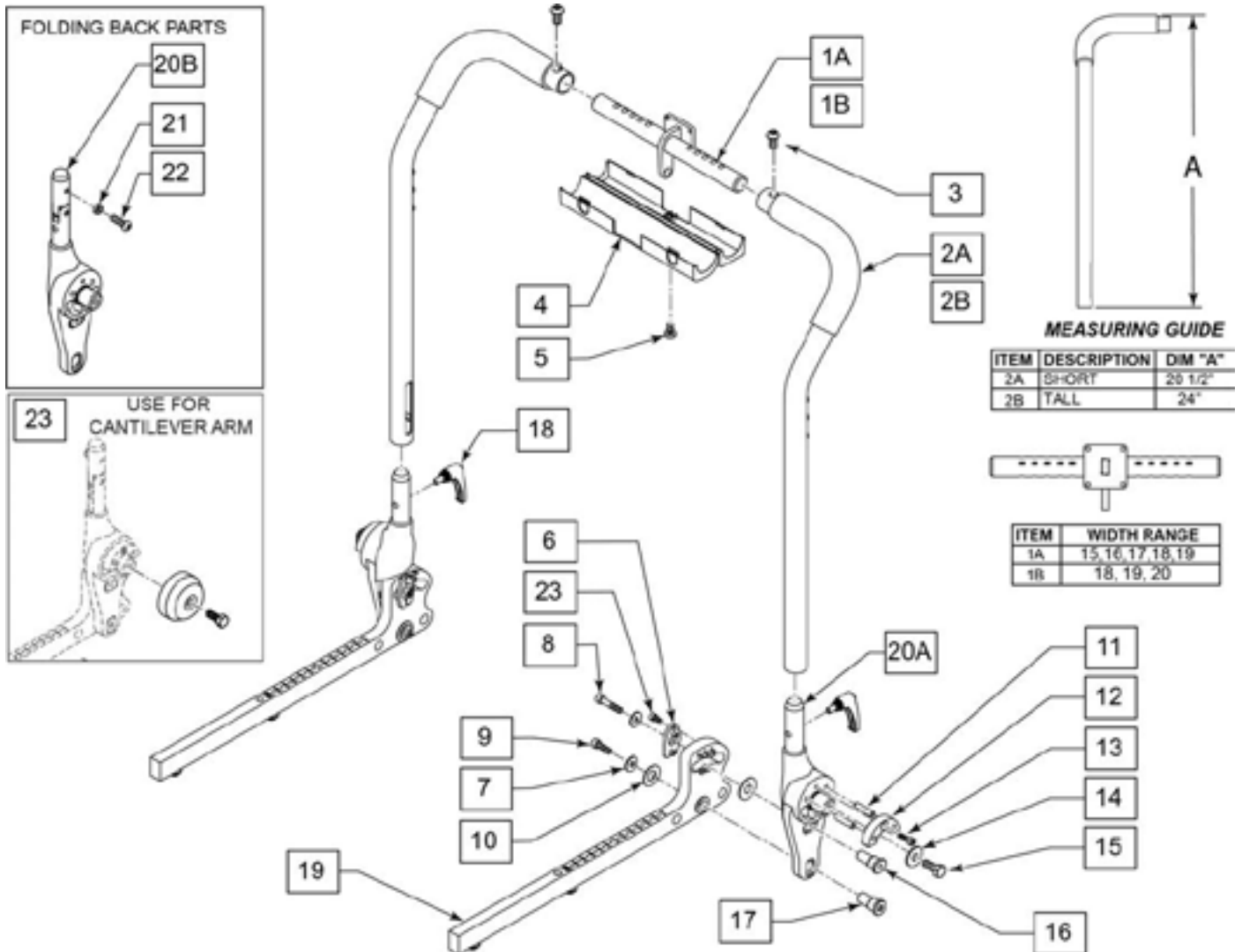


Pos.	Item Number	Description	Remarks
1	687930	BACK UPH 12 LOW	
1	687931	BACK UPH 12 MED	
1	687932	BACK UPH 12 TALL	
1	687935	BACK UPH 13 LOW	
1	687936	BACK UPH 13 MED	
1	687937	BACK UPH 13 TALL	
1	686930	BACK UPH 14" LOW P2	
1	686931	BACK UPH 14" MED P2	
1	686932	BACK UPH 14" TALL P2	
1	686933	BACK UPH 15" LOW P2	
1	686934	BACK UPH 15" MED P2	
1	686935	BACK UPH 15" TALL P2	
1	686961	BACK UPH 16" LOW P2	
1	686962	BACK UPH 16" MED P2	
1	686963	BACK UPH 16" TALL P2	
1	686936	BACK UPH 17" LOW P2	
1	686937	BACK UPH 17" MED P2	
1	686938	BACK UPH 17" TALL P2	
1	686981	BACK UPH 18" LOW P2	
1	686982	BACK UPH 18" MED P2	
1	686983	BACK UPH 18" TALL P2	
1	686940	BACK UPH 19" LOW P2	
1	686941	BACK UPH 19" MED P2	
1	686942	BACK UPH 19" TALL P2	
1	686943	BACK UPH 20" LOW P2	
1	686944	BACK UPH 20" MED P2	

Pos.	Item Number	Description	Remarks
1	686945	BACK UPH 20" TALL P2	
1	687914	BACK UPH 22" LOW S626	
1	687915	BACK UPH 22" MED S626	
1	687916	BACK UPH 22" TALL S626	
1	687919	BACK UPH 24" LOW S626	
1	687920	BACK UPH 24" MED S626	
1	687921	BACK UPH 24" TALL S626	



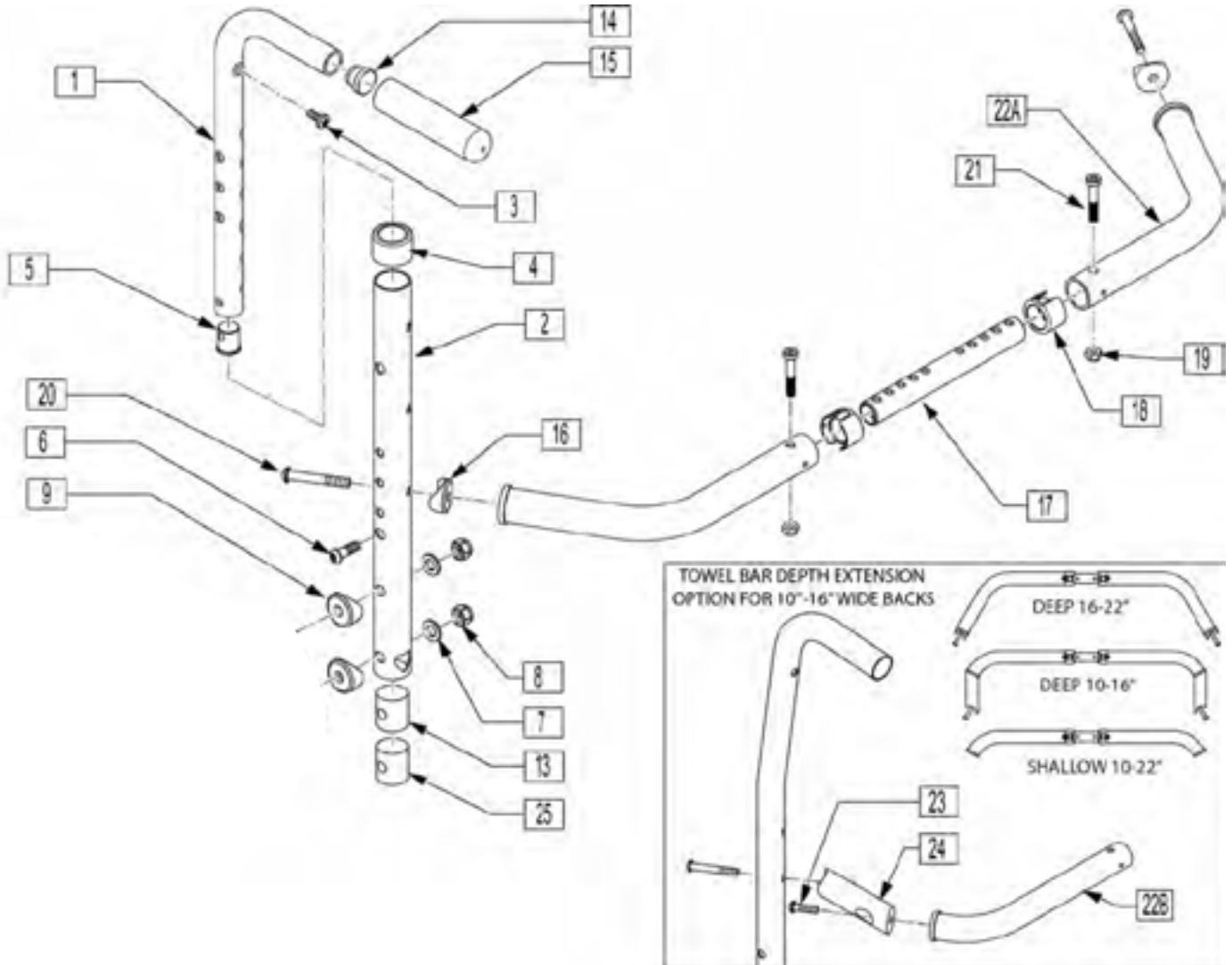
Pos.	Item Number	Description
1	22803050	BACK UPHOLSTERY
2	104522	SHCS ISO4762 M6x16 8.8 NP
3	107383	WASHER FLAT M6



Pos.	Item Number	Description	Remarks
4,5	22803060	BACKREST COVER KIT	
6,23	22803034	ADJUSTING KIT FIXED BACKREST	Pair for both sides
1A,2A,3	22803010-011	BACK FRAME STANDARD	15"-19" seat width
1B,2A,3	22803010-012	BACK FRAME STANDARD	18"-20" seat width
1A,2B,3	22803300-011	BACK FRAME HIGH	15"-19" seat width
1B,2B,3	22803300-012	BACK FRAME HIGH	18"-20" seat width
6-20A	22802001-001	SEAT BACKREST INTERFACE NF	
6-18,20B,21,22	22802001-011	SEAT BACKREST INTERFACE FLD	
3,5-10,16,17	164255	BACKREST RECEIVER HARDWARE KIT	
11-15	164256	ARMREST RECIEVER HARDWARE KIT	
11-17,20A	22803020-001	BACKREEST RECEIVER ASSY NON FOLDING	For both sides
11-17,20B	22803020-011	BACKREEST RECEIVER ASSY FOLDING	For both sides
18	22803070	QUICK RELEASE LEVER KIT	pair
19	22802040-001	Shift Piece Assy LH	
19	22802040-002	Shift Piece Assy RH	
24	22803080	BACKREST RECEIVER COVER	

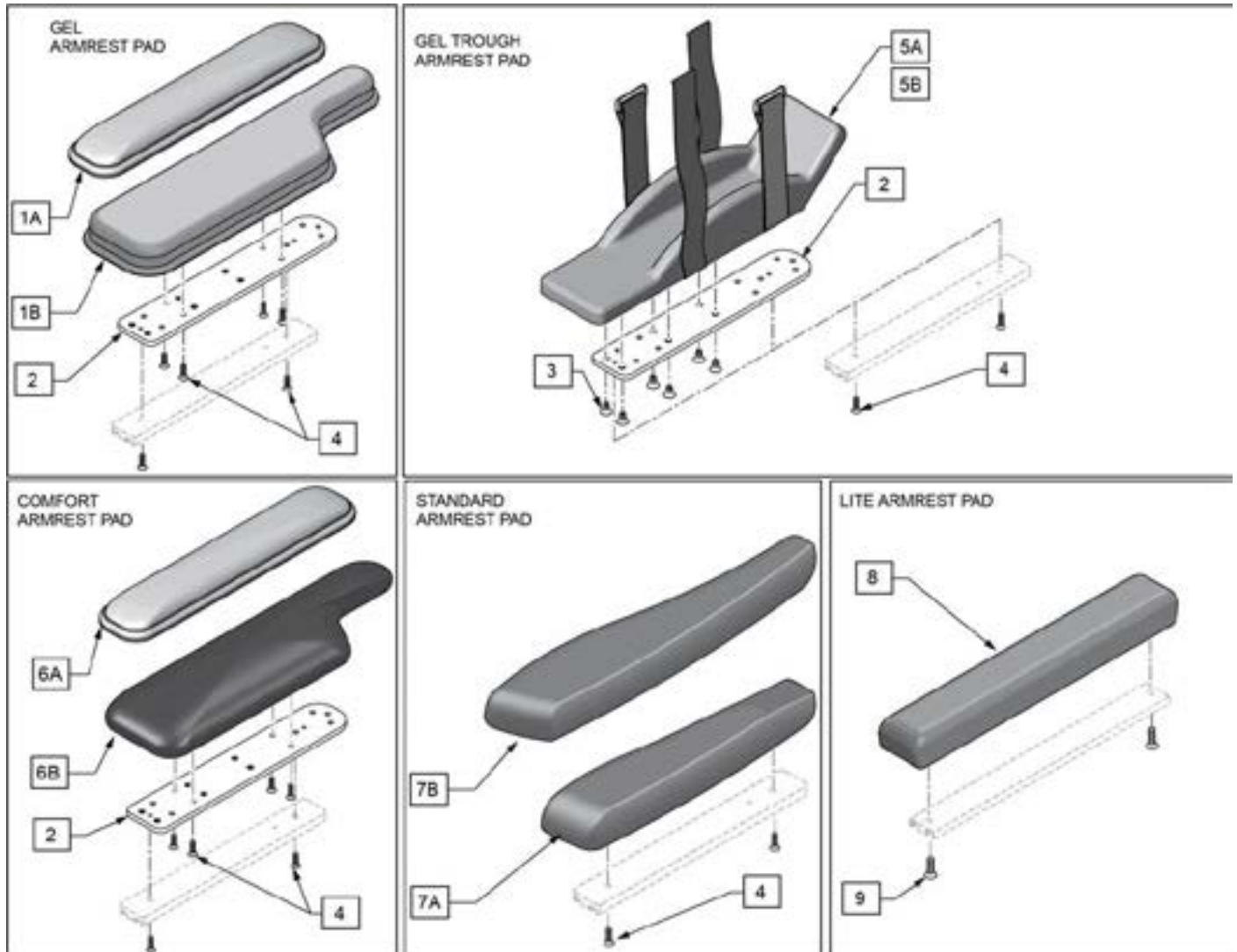
FOLDING BACKREST WITH ADJUSTABLE BACK CANES

Note: Height low: 14" to 18"; Height High: 20" to 26"



Pos.	Item Number	Description	Remarks
1,14,15	120418	PUSH HNDL ADJ LOW ASM RH	Right
1,14,15	120417	PUSH HNDL ADJ LOW ASM LH	Left
1,14,15	120420	PUSH HNDL ADJ TALL ASM RH	Right
1,14,15	120419	PUSH HNDL ADJ TALL ASM LH	Left
2	120410	PUSH HNDL RCVR LOW RH	Right
2	120409	PUSH HNDL RCVR LOW LH	Left
2	120412	PUSH HNDL RCVR TALL RH	Right
2	120411	PUSH HNDL RCVR TALL LH	Left
3	100223-002	BHCS M5X.8X16MM	
4	561082	1" TUBE END BUSHING THIN	
5	050019	PLUG BACKREST M6	
6	102262-004	BHCS M6 X 1 X 25 W/PL INORG	
7	263110-QU	5/16 AN WASHER FLAT THIN	
8	210085	NUT HEX NYLOCK M8 BLACK	
9	561006	1" SADDLE 5/16" HOLE	
10	230123	BHCS M8 X 1.25 X 45	
11	501723	BACKREST PLATE 86-114 DEGREE	

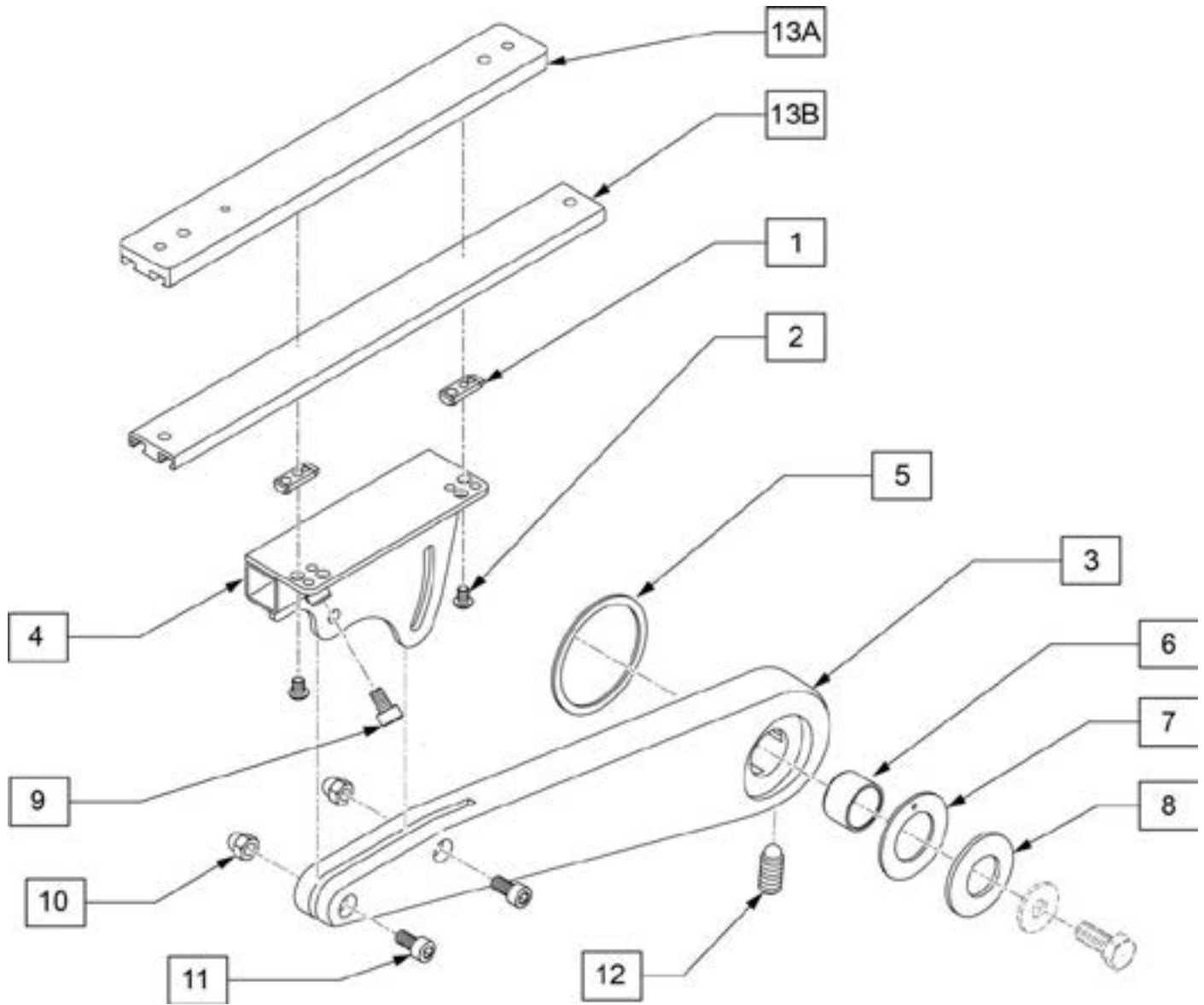
Pos.	Item Number	Description	Remarks
12	263100	5/16 AN WASHER FLAT	
13	483801	BCKREST LATCH PLUG P2 (Both Used)	
14	561000-QU	3/4" INSERT PLUG .083	
15	920026	QUICKIE GRIP 3/4" W/INSTR. SH.	
16	561004	1" SADDLE 1/4" HOLE	
18	118672	1" TUBE END BUSHING SHORT	
19	200113	NUT HEX NYLOCK M6 X 1 NUT	
20	102262-007	BHCS M6 X 1 X 45	
21	119125	SHCS LOW HD M6X1X35 PART NP	
23	119127	SHCS LOW HD, M6X1X45	Required to attach towel bar depth extension the Shallow Towel Bar to convert to the Deep Towel Bar
24	118769	TOWEL BAR DEPTH EXTENSION	Required on the Deep Towel Bar assembly; mounts to both sides of the Shallow Towel Bar.
25	550080	PUSH HNDLE INSERT S525 (Both Used)	
1-6	120422	PUSH HANDLE ADJ LOW FL ASM RH	Right
1-6	120421	PUSH HANDLE ADJ LOW FL ASM LH	Left
1-6	120424	PUSH HANDLE ADJ TALL FL ASM RH	Right
1-6	120423	PUSH HANDLE ADJ TALL FL ASM LH	Left
16-21,22A	118614	TOWEL BAR ASSY 18-22D	DEEP
16-21,22A	118637	TOWEL BAR ASSY 16-20D	DEEP
16-21,22B	118600	TOWEL BAR ASSY 18-22S	SHALLOW
16-21,22B	118633	TOWEL BAR ASSY 16-20S	SHALLOW
16-21,22B	118645	TOWEL BAR ASSY 12-16S	SHALLOW
16-21,22B	118646	TOWEL BAR ASSY 10-13S	SHALLOW
7-13,25	122715	NON FLDG BK HDWR KIT	



Pos.	Item Number	Description	Remarks
1A,2-4	163345	COMFORT 2" GEL PAD R SE PRO	Right
1A,2-4	163344	COMFORT 2" GEL PAD L SE PRO	Left
1B,2-4	163347	COMFORT 4" GEL PAD R SE PRO	Right
1B,2-4	163346	COMFORT 4" GEL PAD L SE PRO	Left
5A,2-4	163349	GEL TROUGH PAD ASSM MEDIUM R PRO	Right
5A,2-4	163348	GEL TROUGH PAD ASSM MEDIUM L PRO	Left
5B,2-4	163351	GEL TROUGH PAD ASSM LARGE R PRO	Right
5B,2-4	163350	GEL TROUGH PAD ASSM LARGE L PRO	Left
6A,2-4	163353	COMFORT 2" WIDE PAD R SE PRO	Right; Foam
6A,2-4	163352	COMFORT 2" WIDE PAD L SE PRO	Left; Foam
6B,2-4	163355	COMFORT 4" WIDE PAD R SE PRO	Right; Foam
6B,2-4	163354	COMFORT 4" WIDE PAD L SE PRO	Left; Foam
7A,4	163357	SEDEO ARM PAD 30 RH	Right; 300mm/11.8"
7A,4	163356	SEDEO ARM PAD 30 LH	Left; 300mm/11.8"
7B,4	163359	SEDEO ARM PAD 40 RH	Right; 400mm/15.7"
7B,4	163358	SEDEO ARM PAD 40 LH	Left; 400mm/15.7"
2	248518	PRO AMREST ADAPTER	
3	244762	FHCS 1/4-20 X 1/2"	

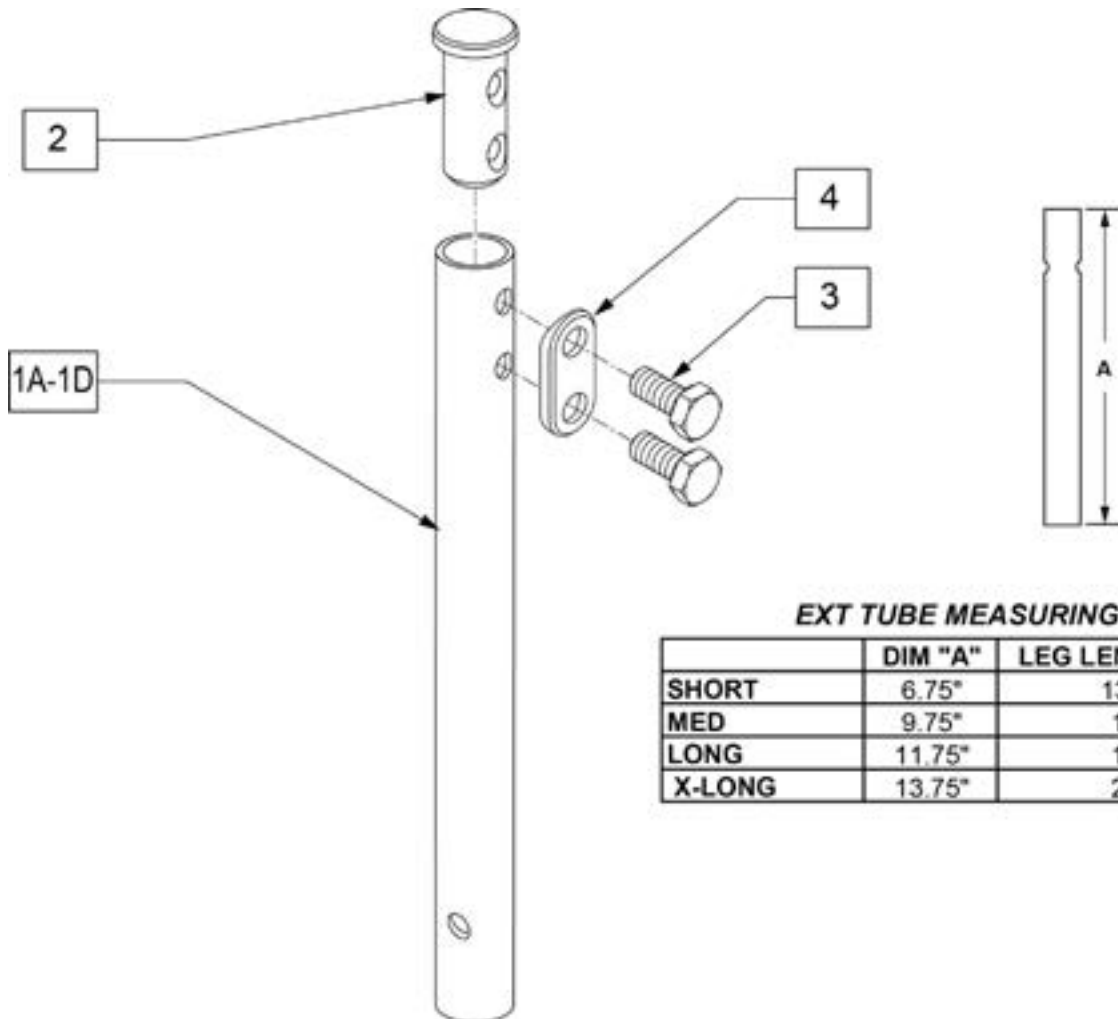
Pos.	Item Number	Description	Remarks
4	103499-006	M5X16 8.8 DPS NP	
8	015071	ARMPAD 15 HOTSEAT	
9	102265-002	FHCS M6 X 1 X 20, FULL, NP	

Note: for additional fasteners see "BACKREST SEDEO LITE" page.



Pos.	Item Number	Description	Remarks
3	22804011-001	ARMREST RECEIVER LH	LEFT
3	22804011-002	ARMREST RECEIVER RH	RIGHT
4	22804020-001	ARMREST BRACKET	LEFT
4	22804020-002	ARMREST BRACKET	RIGHT
6-12	22804010-001	ARMREST ASSY LH	LEFT
6-12	22804010-002	ARMREST ASSY RH	RIGHT
13A	22504042	ARMPAD PROFILE	Fits Gel, Comfort and Standard
13B	22804061	ARMREST RAIL STD	Fits Sedeo Lite Arm Pad
1,2,9-12	164257	CANTILEVER ARMREST HARDWARE KIT	See Note

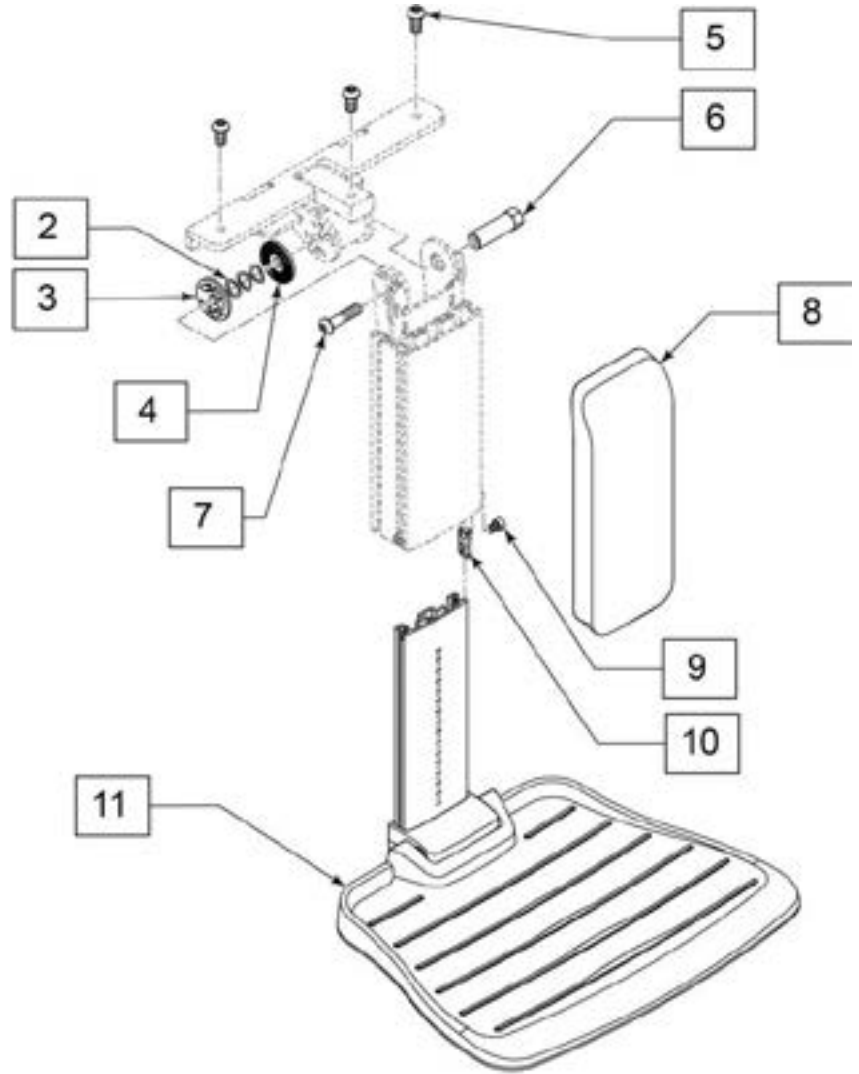
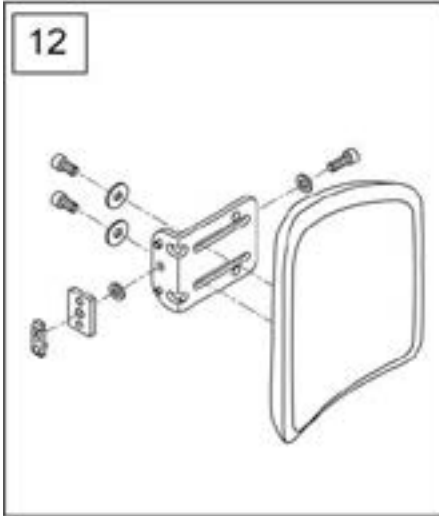
ROUND EXTENSION TUBE



EXT TUBE MEASURING GUIDE

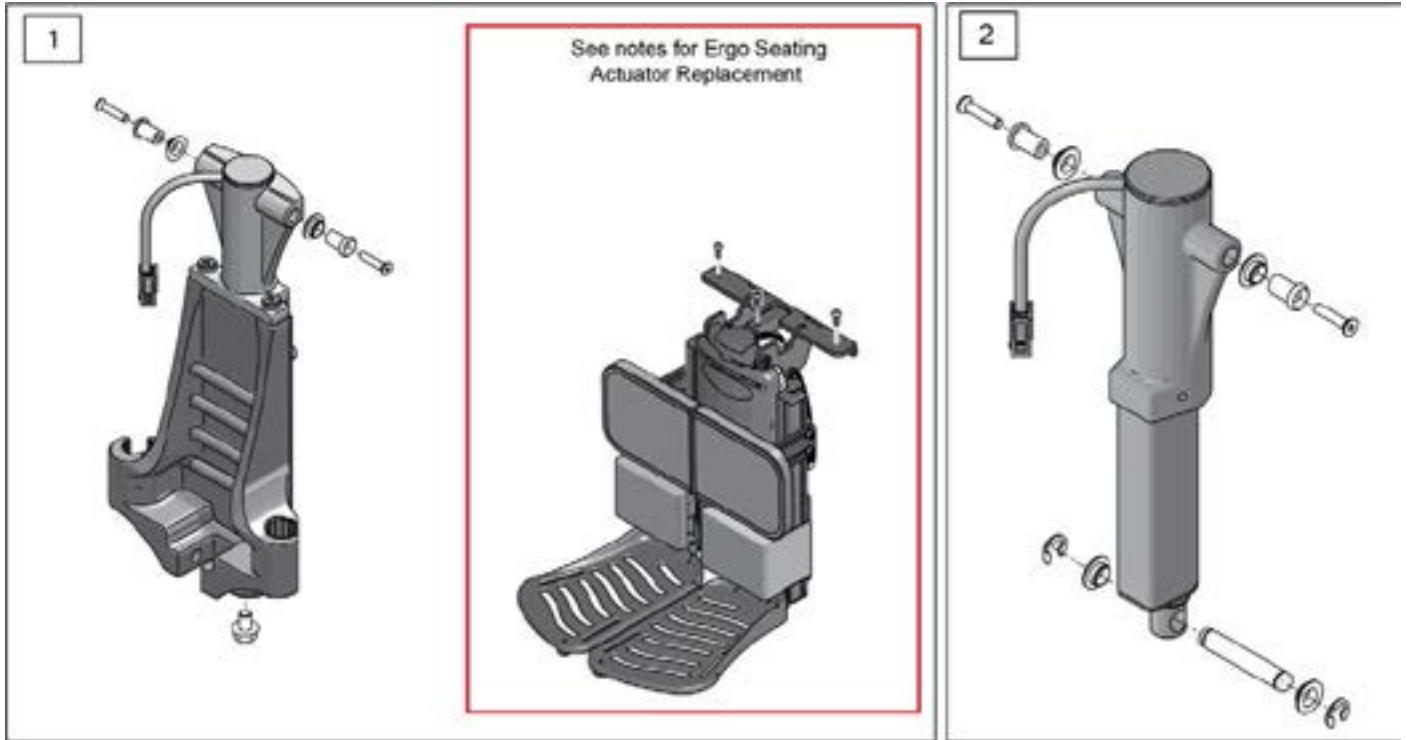
	DIM "A"	LEG LENGTH RANGE
SHORT	6.75"	13"-15.5"
MED	9.75"	15"-18"
LONG	11.75"	18"-20"
X-LONG	13.75"	20"-22"

Pos.	Item Number	Description	Remarks
1A	013305-001	EXT TUBE SHORT S/A	
1B	013305-002	EXT TUBE MED S/A	
1C	013305-003	EXT TUBE LONG S/A	
1D	013305-004	EXT TUBE X LONG S/A	
2	013369	TUBE IN EXT TB S/A HNGR EXT	
3	234891	M6 X 20 HEX C/S	
4	483717	HANGER SADDLE	
1A,2-4	100191	EXT TBE SHT S/A ASSM RHY/G	
1B,2-4	100208	EXT TBE MED S/A ASSM RHY/G	
1C,2-4	100211	EXT TBE LNG S/A ASSM RHY/G	
1D,2-4	100213	EXT TBE X-LNG S/A ASSM RHY	



Pos.	Item Number	Description
1	164260	ADJUSTABLE CENTER MOUNT LEGREST
2-4	22505116	ADJUSTMENT WHEEL KIT
5	000104140	BHCS ISO7380 M8 X 16 10.9 DPS PL
6	9003810	CLAMP BUSH
7	050126-001	BHCS M8X35 NP
8	22505102	COVER CENTRAL LEGREST
12	22505115	SINGLE CALF PLATE ASSEMBLY
9-11	164259	LOWER LEG ADJ KIT

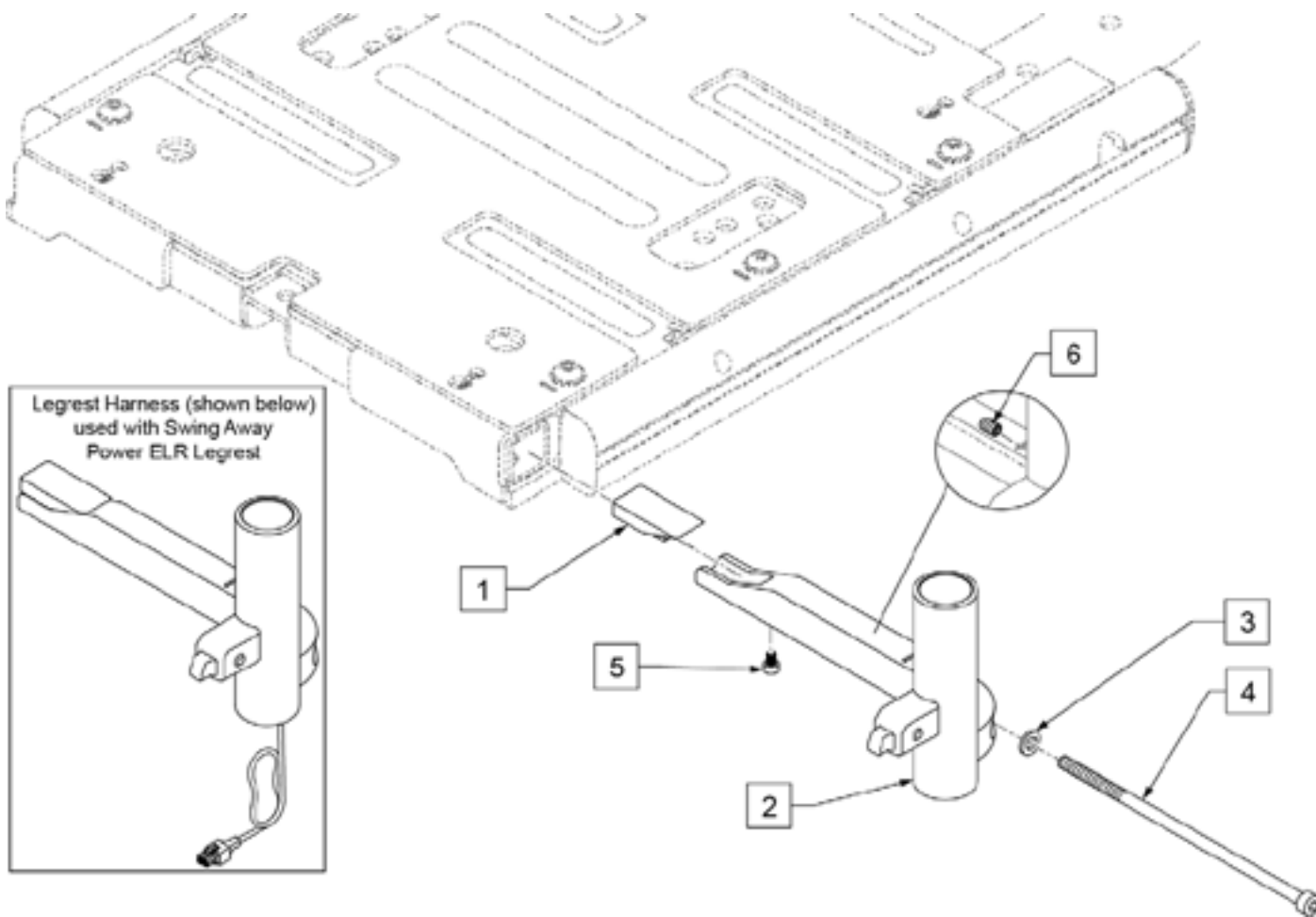
Note: for Actuator Replacement on chairs with Ergo Seating System prior to S/N M710C-128337, M715C-113705 & M720C-126232, the complete Power Center Mount & Harness must be replaced; please contact Sunrise Technical Support to ensure all necessary components are identified.



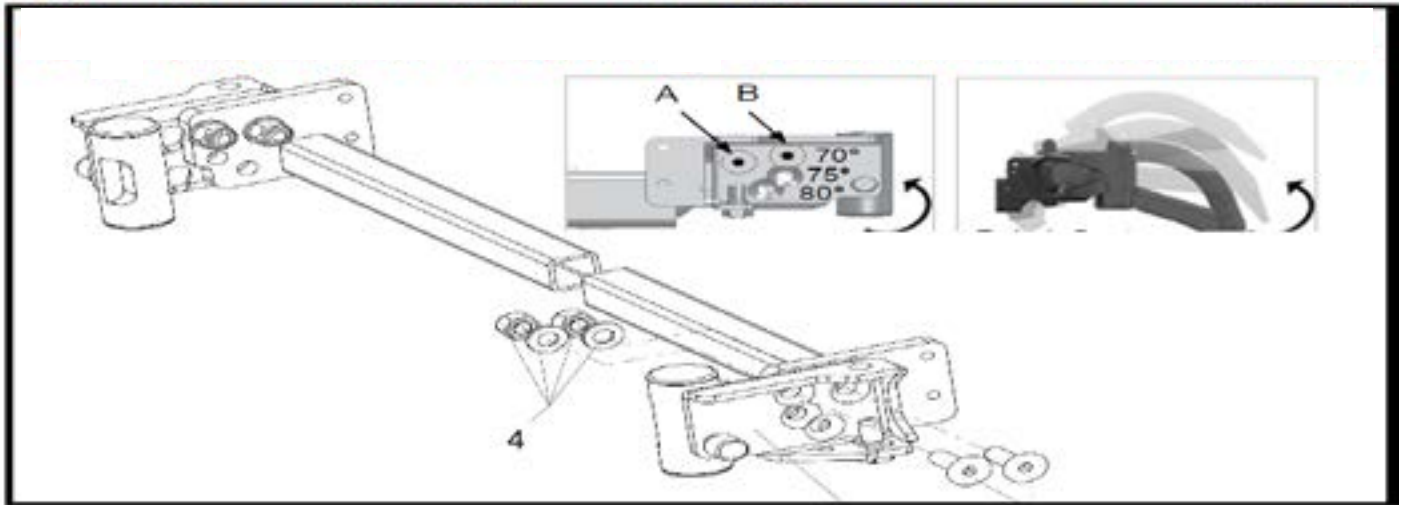
Pos.	Item Number	Description
1	247200	ARTIC ACT ERGO W/OUT PCB KIT
2	247201	ELEV ACT ERGO W/OUT PCB KIT

Note: No individual parts available.

Note: Legrest Harness (p/n 22511005, shown below) is not included with the S/A Power ELR Legrest or the Pro Hanger Receiver; refer to WIRING Q700M PRO parts page for this part.

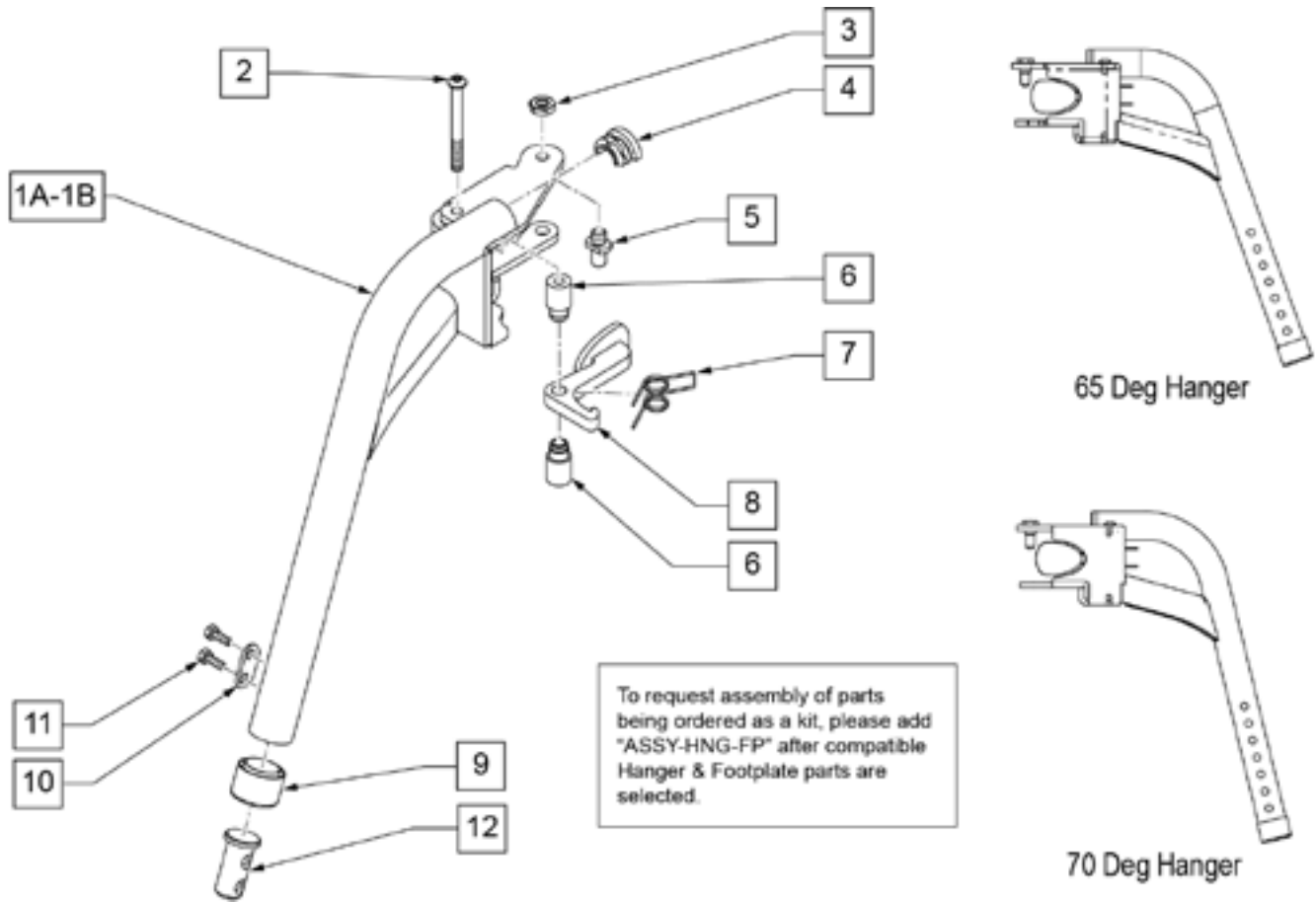


Pos.	Item Number	Description	Remarks
5	n/a	M4 X 6	
6	131304	SET SCREW M6X8 CUP TIP W/PATCH	
1-6	163482	PRO HANGER RECEIVER RH	Right
1-6	163483	PRO HANGER RECEIVER LH	Left



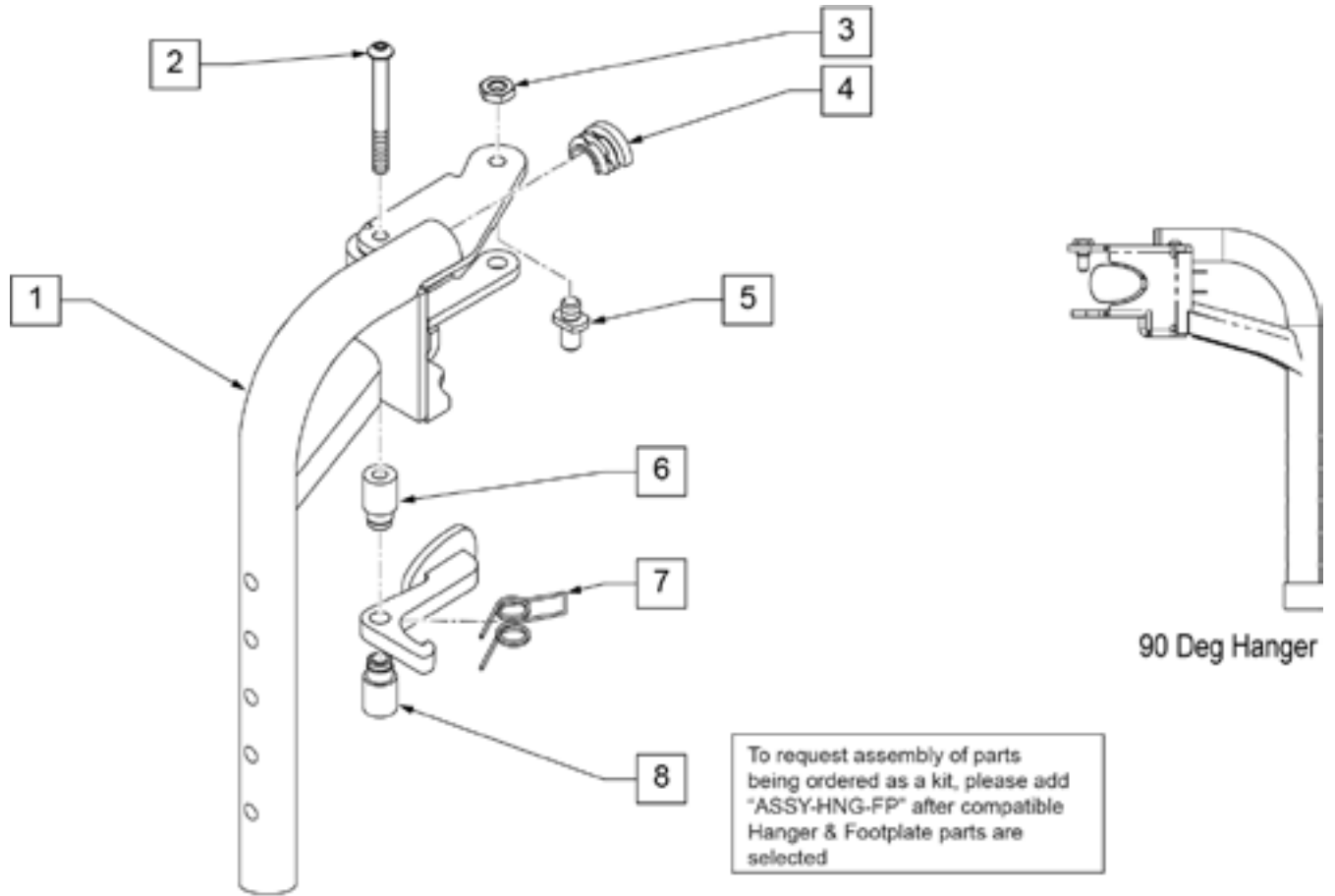
Pos.	Item Number	Description	Remarks
	21005007-001	ANGLE ADJUSTABLE RECEIVER RH	
	21005007-002	ANGLE ADJUSTABLE RECEIVER LH	
	21005012	ANGLE ADJUSTABLE RECEIVER PR	

65 & 70 DEGREE SWING-AWAY HANGERS



Pos.	Item Number	Description	Remarks
2	013216	SCREW M6 X 60 SKT BTN BLK	
3	013036	M8 X 1.25 JAM NUT HEX	
4	013312	HALF CAP INSERT	
5	108778	PIVOT PIN, POWER	
6	013217	SPACER S/A HANGER LATCH	
7	013163	SPRING LATCH S/A HANGER	
8	013160	LATCH ARM S/A HANGER	
9	561082	1" TUBE END BUSHING THIN	
10	483717	HANGER SADDLE	
11	234891	M6 X 20 HEX C/S	
12	013369	TUBE IN EXT TB S/A HNGR EXT	
1B-9	115167	S/A HANGER ASSM 70D R	70 degree - Right
1B-9	115168	S/A HANGER ASSM 70D L	70 degree - Left
1A-9	014450	S/A HANGER ASSM 65D R	65 degree - Right
1A-9	014451	S/A HANGER ASSM 65D L	65 degree - Left
		Ship assembled part #	Use with multiple assemblies
ASSY-HNG-FP	ASSY-HNG-FP	HANGER/FOOTPLATE ASSY REQUIRED	add with Hanger & Footplate kit

90 DEGREE SWING-AWAY HANGERS



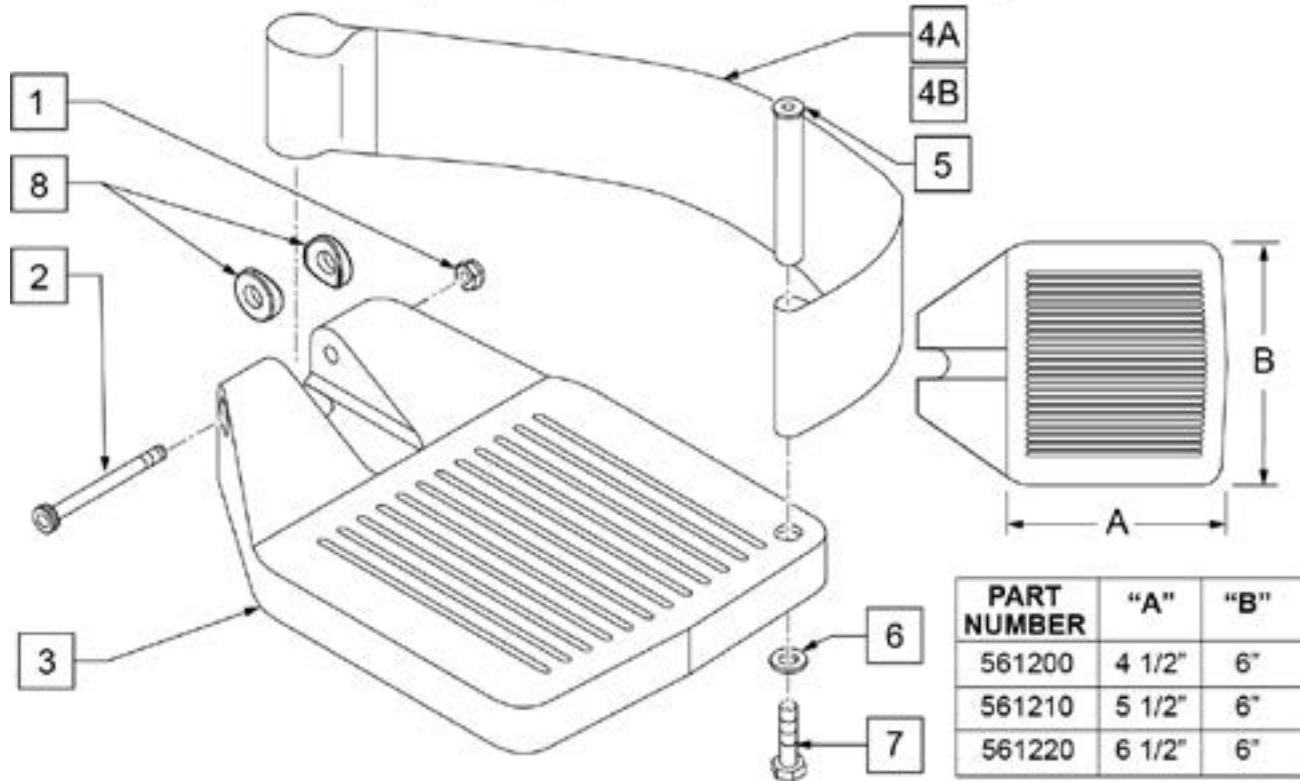
To request assembly of parts being ordered as a kit, please add "ASSY-HNG-FP" after compatible Hanger & Footplate parts are selected

Pos.	Item Number	Description	Remarks
2	013216	SCREW M6 X 60 SKT BTN BLK	
3	013036	M8 X 1.25 JAM NUT HEX	
4	013312	HALF CAP INSERT	
5	108778	PIVOT PIN, POWER	
6	013217	SPACER S/A HANGER LATCH	
7	013163	SPRING LATCH S/A HANGER	
8	013160	LATCH ARM S/A HANGER	
1 -8	013330	S/A HANGER ASSM 90D L	Left
1 -8	013337	S/A HANGER ASSM 90D R	Right
		Ship assembled part #	Use with multiple assemblies
ASSY-HNG-FP	ASSY-HNG-FP	HANGER/FOOTPLATE ASSY REQUIRED	add with Hanger & Footplate kit

PALETTE RABATTABLE NON RÉGLABLE EN ANGLE ET SURDIMENSIONNÉE

To have complete Footrest ship assembled, choose compatible Hanger + Footplate part numbers and add "ASSY-HNG-FP" to order

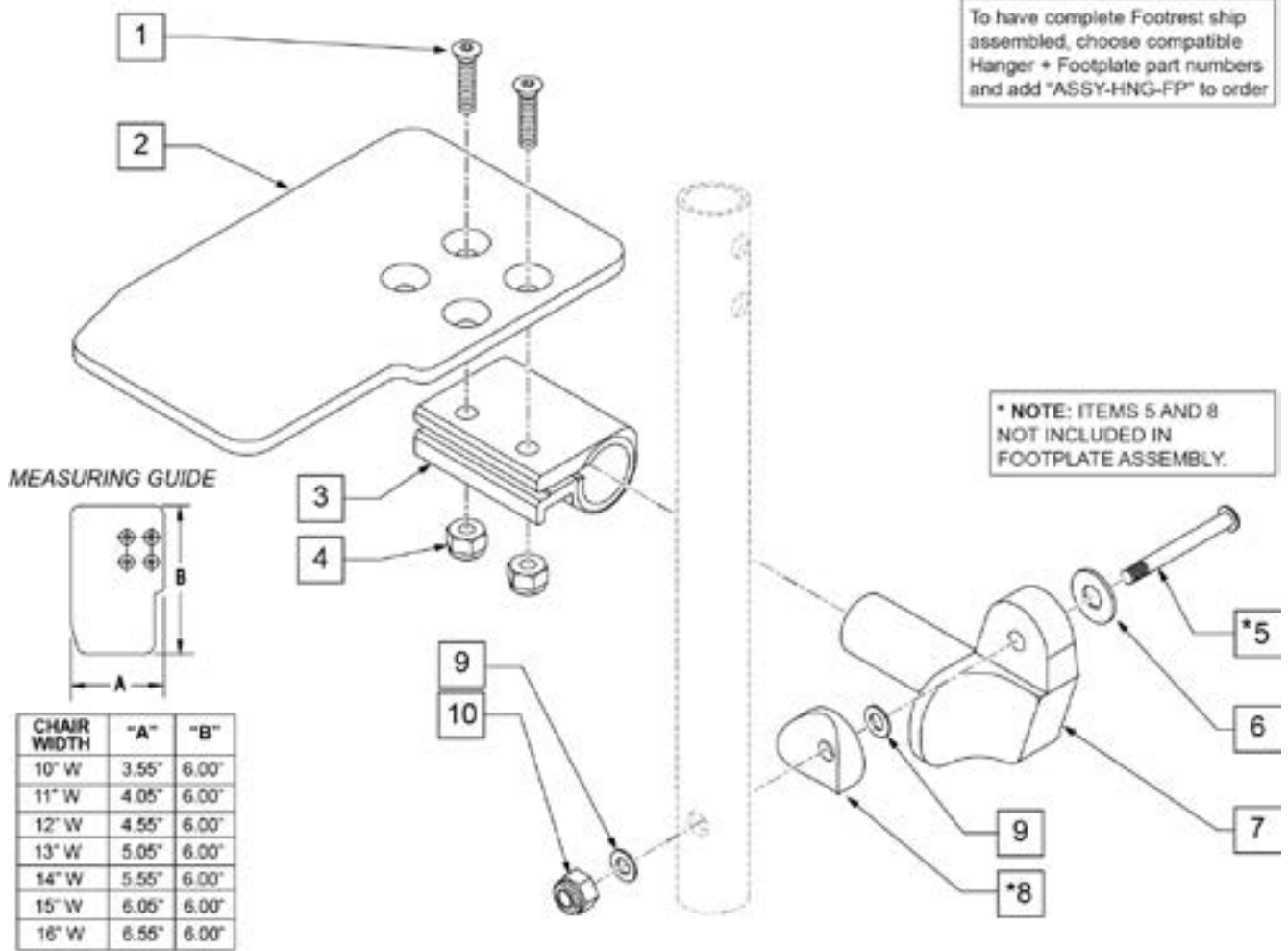
INSET FORMULA
 0" Inset (Seat Width) = Footrest Width
 1" Inset (Seat Width) -2" = Footrest Width
 "V" Hanger (Seat Width) -4" = Footrest Width
 Offset Hanger Receiver (Seat Width) +2" = Footrest Width



Pos.	Item Number	Description	Remarks
1	106935	1/4 - 28 NYLOCK NUT	
2	226165	1/4 - 28 x 2 1/2 SOC C/S	
3	561200	COMPOSITE FOOTPLATE 14 -15 (16 -18 V)	14 -15 OR 16 -18V
3	561210	COMPOSITE FOOTPLATE 16 -17 (19 -20 V)	16 -17 OR 19 -20V
3	561220	COMPOSITE FOOTPLATE 18 -20	18 -20
4A	741151	HEEL LOOP 14-15 COMPOSITE (14 -15 or 16 -18V)	14 -15 OR 16 -18V
4A	741156	HEEL LOOP 16 -17 or 19 -20V	16 -17 OR 19 -20V
4A	741153	HEEL LOOP 18 -20 COMPOSITE/14-15 ANG ADJ	18 -20
4A	902270	HEEL LOOP COMPOSITE FT 14-15	PAIR 14 -15 OR 16 -18V
4A	902271	HEEL LOOP COMPOSITE FT 16-17	PAIR 16 -17 OR 19 -20V
4A	902272	HEEL LOOP COMPOSITE FT 18-20	PAIR 18 -20
4B	741154	HEEL LOOP 14-15 COMPOSITE HEMI	14 -15 HEMI
4B	741155	HEEL LOOP 16-17 COMPOSITE HEMI	16 -17 HEMI
4B	741153	HEEL LOOP 18-20 COMPOSITE HEMI	18 -10 HEMI
4B	902260	HEEL LOOPS HEMI COMPOSITE 14-15	PAIR 14 -15 HEMI
4B	902261	HEEL LOOPS HEMI COMPOSITE 16-17	PAIR 16 -17 HEMI
4B	902262	HEEL LOOPS HEMI COMPOSITE 18-20	PAIR 18 -20 HEMI
5	561040	HEEL LOOP PEG	
6	106944	1/4 AN WASHER FLAT THIN	
7	106958	HHCS 1/4-20 X 1 ROHS	
8	561003	3/4" SADDLE THIN	USED W/ ROUND EXT TUBES ONLY
1-3	921180	COMPOSITE FOOTPLATE ASSM 14-15 RIGHT	(14 -15 OR 16 -18V) W/O HEEL LOOP
1-3	921181	COMPOSITE FOOTPLATE ASSM 14-15 LEFT	(14 -15 OR 16 -18V) W/O HEEL LOOP

Pos.	Item Number	Description	Remarks
1-3	921182	COMPOSITE FOOTPLATE ASSM 16-17 RIGHT	(16 -17 OR 19 -20V) W/O HEEL LOOP
1-3	921183	COMPOSITE FOOTPLATE ASSM 16-17 LEFT	(16 -17 OR 19 -20V) W/O HEEL LOOP
1-3	921184	COMPOSITE FOOTPLATE ASSM 18-20 RIGHT	(18 -20) W/O HEEL LOOP
1-3	921185	COMPOSITE FOOTPLATE ASSM 18-20 LEFT	(18 -20) W/O HEEL LOOP
1-3	921151	COMPOSITE FOOTPLATE ASSM 14-15/16-18V PAIR	(14 -15 OR 16 -18V) W/O HEEL LOOP
1-3	921152	COMPOSITE FOOTPLATE ASSM 16-17/19-20V PAIR	(16 -17 OR 19 -20V) W/O HEEL LOOP
1-3	921153	COMPOSITE FOOTPLATE ASSM 18-20 PAIR	(18 -20) W/O HEEL LOOP
1,2,3A,4-7	921190	COMPOSITE FOOTPLATE ASSM HL LP 14-15 RIGHT	(14 -15 OR 16 -18V) W/ HEEL LOOP
1,2,3A,4-7	921191	COMPOSITE FOOTPLATE ASSM HL LP 14-15 LEFT	(14 -15 OR 16 -18V) W/ HEEL LOOP
1,2,3A,4-7	921192	COMPOSITE FOOTPLATE ASSM HL LP 16-17 RIGHT	(16 -17 OR 19 -20V) W/ HEEL LOOP
1,2,3A,4-7	921193	COMPOSITE FOOTPLATE ASSM HL LP 16-17 LEFT	(16 -17 OR 19 -20V) W/ HEEL LOOP
1,2,3A,4-7	921194	COMPOSITE FOOTPLATE ASSM HL LP 18-20 RIGHT	(18 -20) W/ HEEL LOOP
1,2,3A,4-7	921195	COMPOSITE FOOTPLATE ASSM HL LP 18-20 LEFT	(18 -20) W/ HEEL LOOP
1,2,3A,4-7	921161	COMPOSITE FOOTPLATE ASSM HL 14-15/16-18V PAIR	(14 -15 OR 16 -18V) W/ HEEL LOOP
1,2,3A,4-7	921162	COMPOSITE FOOTPLATE ASSM HL 16-17/19-20V PAIR	(16 -17 OR 19 -20V) W/ HEEL LOOP
1,2,3A,4-7	921163	COMPOSITE FOOTPLATE ASSM HL 18-20 PAIR	(18 -20) W/ HEEL LOOP
1,2,3B,4-7	921140	COMPOSITE FOOTPLATE ASSM HEMI HL LP 14-15 RIGHT	(14 -15) W/ HEEL LOOP
1,2,3B,4-7	921141	COMPOSITE FOOTPLATE ASSM HEMI HL LP 14-15 LEFT	(14 -15) W/ HEEL LOOP
1,2,3B,4-7	921142	COMPOSITE FOOTPLATE ASSM HEMI HL LP 16-17 RIGHT	(16 -17) W/ HEEL LOOP
1,2,3B,4-7	921143	COMPOSITE FOOTPLATE ASSM HEMI HL LP 16-17 LEFT	(16 -17) W/ HEEL LOOP
1,2,3B,4-7	921144	COMPOSITE FOOTPLATE ASSM HEMI HL LP 18-20 RIGHT	(18 -20) W/ HEEL LOOP
1,2,3B,4-7	921145	COMPOSITE FOOTPLATE ASSM HEMI HL LP 18-20 LEFT	(18 -20) W/ HEEL LOOP
1,2,3B,4-7	921167	COMPOSITE FOOTPLATE ASSM HEMI HL LPS 14-15 PAIR	(14 -15) W/ HEEL LOOP
1,2,3B,4-7	921168	COMPOSITE FOOTPLATE ASSM HEMI HL LPS 16-17 PAIR	(16 -17) W/ HEEL LOOP
1,2,3B,4-7	921169	COMPOSITE FOOTPLATE ASSM HEMI HL LPS 18-20 PAIR	(18 -20) W/ HEEL LOOP
		Ship assembled part #	Use with multiple assemblies
ASSY-HNG-FP ASSY-HNG-FP		HANGER/FOOTPLATE ASSY REQUIRED	add with Hanger & Footplate kit

PALETTE RÉGLABLE EN ANGLE ET EN PROFONDEUR STD

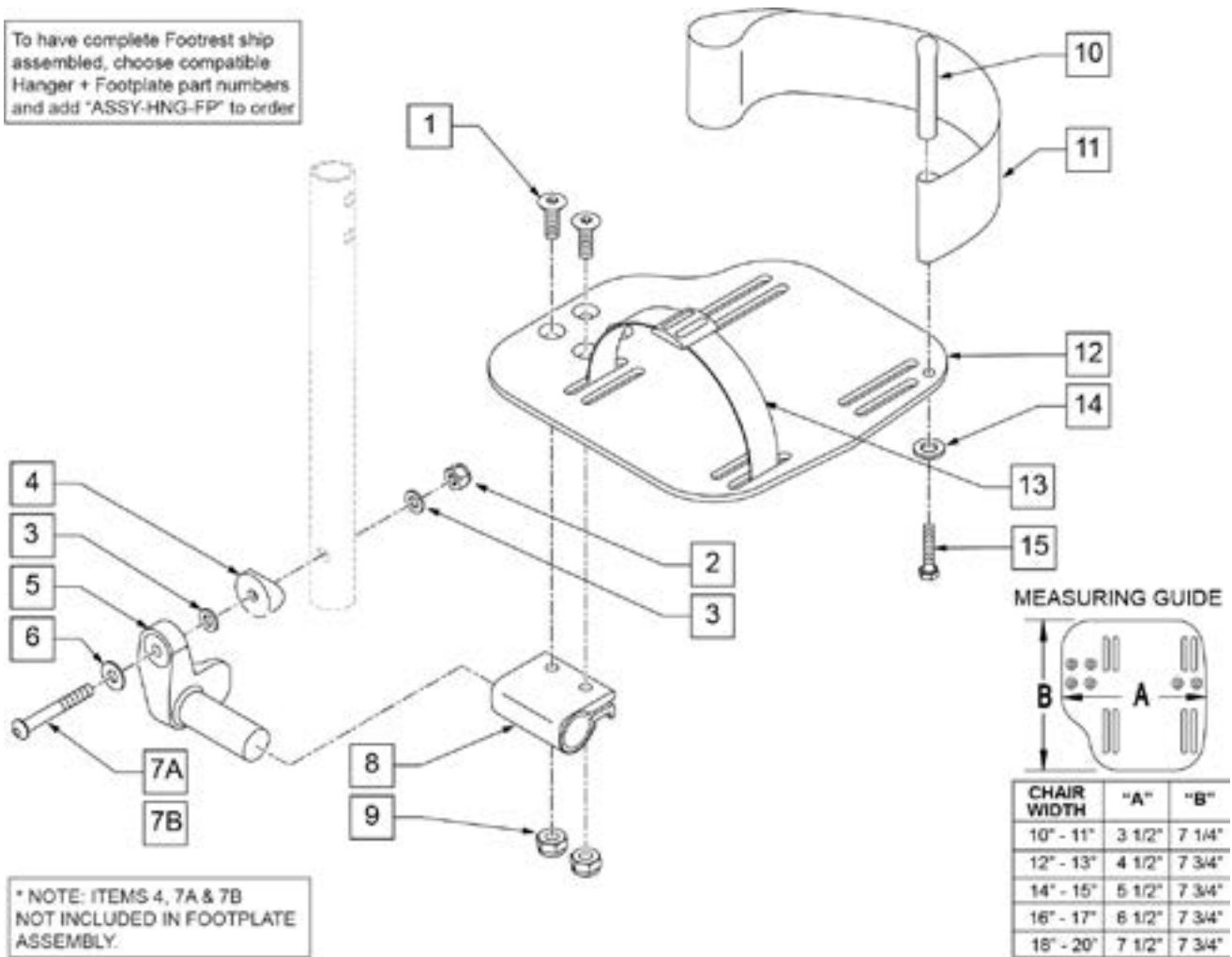


Pos.	Item Number	Description	Remarks
1	106978	1/4-28 X 7/8 FH C/S	
2	500635	KIDS ANGL ADJ F/PLT 10" R	
2	500636	KIDS ANGL ADJ F/PLT 10" L	
2	500637	KIDS ANGL ADJ F/PLT 11" R	
2	500638	KIDS ANGL ADJ F/PLT 11" L	
2	500639	KIDS ANGL ADJ F/PLT 12" R	
2	500640	KIDS ANGL ADJ F/PLT 12" L	
2	500641	KIDS ANGL ADJ F/PLT 13" R	
2	500642	KIDS ANGL ADJ F/PLT 13" L	
2	500643	KIDS ANGL ADJ F/PLT 14" R	
2	500644	KIDS ANGL ADJ F/PLT 14" L	
2	500645	KIDS ANGL ADJ F/PLT 15" R	
2	500646	KIDS ANGL ADJ F/PLT 15" L	
2	500647	KIDS ANGL ADJ F/PLT 16" R	
2	500648	KIDS ANGL ADJ F/PLT 16" L	
3	550350	3/4" CLAMP ADJ FOOTPLATE	
4	106935	NUT NYLOCK THIN 1/4-28 ROHS	
5	106962	1/4-28 x 1 3/4 BH C/S BLK ZN (D2 EXTENSION TUBES)	For manual ELRs only
5	226167	1/4-28 x 1.625 BH C/S BLK (ROUND EXTENSION TUBES)	
6	106945	1/4 SAE WASHER	
7A	541002	FTRST MOUNTING BRKT-3/8 RAD R	
7B	541003	FTRST MOUNTING BRKT-3/8 RAD L	
8	561055	3/4" SADDLE 1" OD	

Pos.	Item Number	Description	Remarks
9	106944	1/4 AN WASHER FLAT THIN	
10	106941	1/4-28 AUTOMATION NUT	
1-4,6,7,9,10	828850	KIDS ANG ADJ F/PLT EXT-MNT 10"R	
1-4,6,7,9,10	828851	KIDS ANG ADJ F/PLT EXT-MNT 10"L	
1-4,6,7,9,10	828852	KIDS ANG ADJ F/PLT EXT-MNT 11"R	
1-4,6,7,9,10	828853	KIDS ANG ADJ F/PLT EXT-MNT 11"L	
1-4,6,7,9,10	828854	KIDS ANG ADJ F/PLT EXT-MNT 12"R	
1-4,6,7,9,10	828855	KIDS ANG ADJ F/PLT EXT-MNT 12"L	
1-4,6,7,9,10	828856	KIDS ANG ADJ F/PLT EXT-MNT 13"R	
1-4,6,7,9,10	828857	KIDS ANG ADJ F/PLT EXT-MNT 13"L	
1-4,6,7,9,10	828858	KIDS ANG ADJ F/PLT EXT-MNT 14"R	
1-4,6,7,9,10	828859	KIDS ANG ADJ F/PLT EXT-MNT 14"L	
1-4,6,7,9,10	828860	KIDS ANG ADJ F/PLT EXT-MNT 15"R	
1-4,6,7,9,10	828861	KIDS ANG ADJ F/PLT EXT-MNT 15"L	
1-4,6,7,9,10	828862	KIDS ANG ADJ F/PLT EXT-MNT 16"R	
1-4,6,7,9,10	828863	KIDS ANG ADJ F/PLT EXT-MNT 16"L	
1-4,6,7,9,10	921280	KIDS ANG ADJ F/PLT EXT-MNT 10"	
1-4,6,7,9,10	921281	KIDS ANG ADJ F/PLT EXT-MNT 11"	
1-4,6,7,9,10	921282	KIDS ANG ADJ F/PLT EXT-MNT 12"	
1-4,6,7,9,10	921283	KIDS ANG ADJ F/PLT EXT-MNT 13"	
1-4,6,7,9,10	921284	KIDS ANG ADJ F/PLT EXT-MNT 14"	
1-4,6,7,9,10	921285	KIDS ANG ADJ F/PLT EXT-MNT 15"	
1-4,6,7,9,10	921286	KIDS ANG ADJ F/PLT EXT-MNT 16"	
		Ship assembled part #	Use with multiple assemblies
ASSY-HNG-FP	ASSY-HNG-FP	HANGER/FOOTPLATE ASSY REQUIRED	add with Hanger & Footplate kit

PALETTE RÉGLABLE EN ANGLE SURDIMENSIONNÉ

To have complete Footrest ship assembled, choose compatible Hanger + Footplate part numbers and add "ASSY-HNG-FP" to order



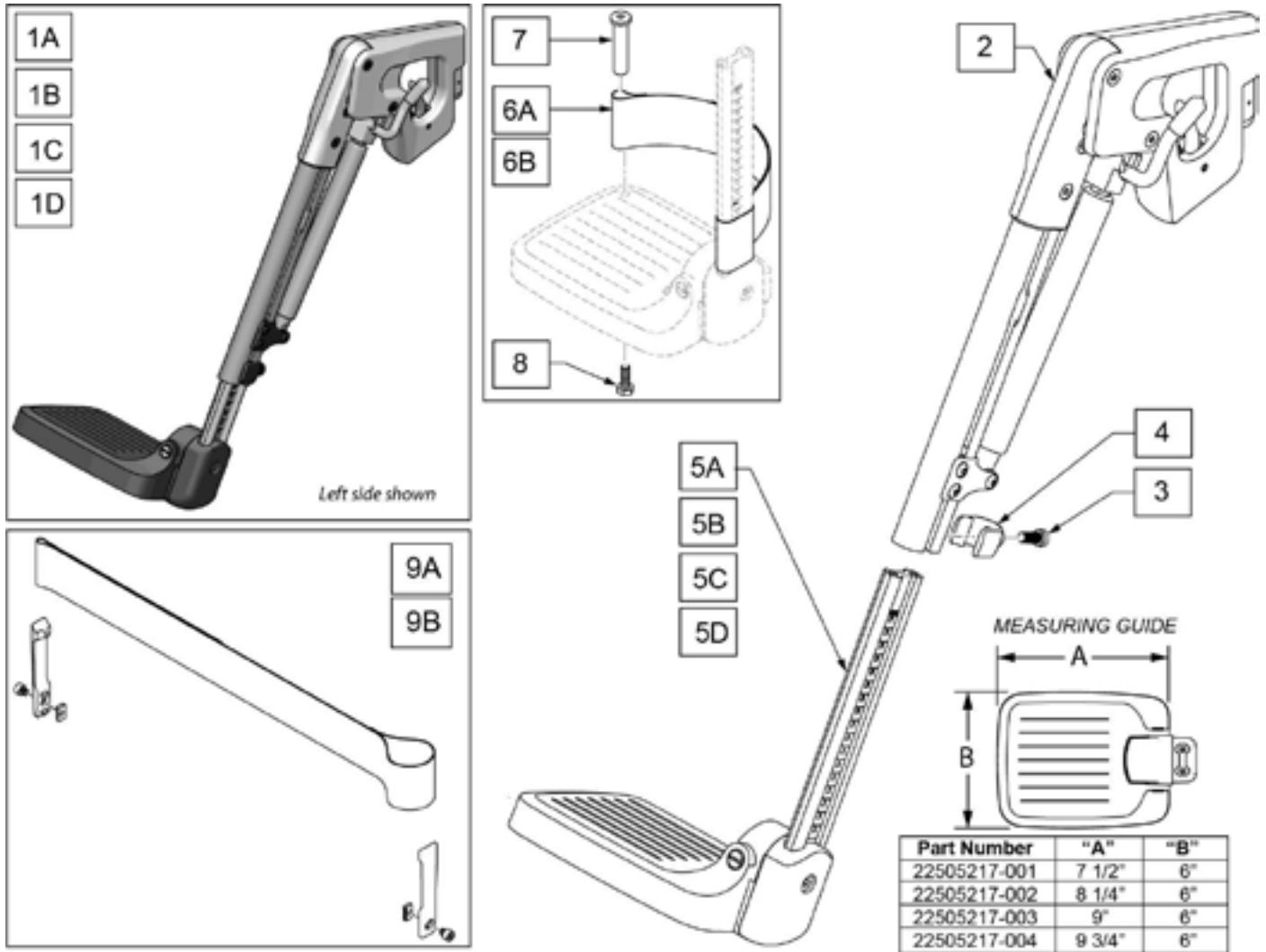
* NOTE: ITEMS 4, 7A & 7B NOT INCLUDED IN FOOTPLATE ASSEMBLY.

Pos.	Item Number	Description	Remarks
1	106978	FHCS 1/4 -28 x 7/8	
2	106941	1/4-28 AUTOMATION NUT	
3	106944	1/4 AN WASHER FLAT THIN	
4	561055	3/4" SADDLE 1" OD	
5	541002	FTRST MOUNTING BRKT-3/8 RAD R	
5	541003	FTRST MOUNTING BRKT-3/8 RAD L	
6	106945	1/4 SAE WASHER	
7A	106962	BHCS 1/4 -28 x 1 3/4 ROHS	For Manual ELRs only
7B	226167	1/4-28 x 1.625 BH C/S BLK (ROUND EXTENSION TUBES)	
8	550350	3/4" CLMP ADJ FT PLT	
9	106935	NUT NYLOCK THIN 1/4-28 ROHS	
10	561040	HEEL LOOP PEG	
11	741153	H/L 18-20 CMPST/14-15 ANG ADJ	
11	741253	HEEL LOOP ADLT ADJ F/PLT 18-20	
12	500660	ADLT ANGL ADJ F/PLT 14/15" R	
12	500661	ADLT ANGL ADJ F/PLT 14/15" L	
12	500662	ADLT ANGL ADJ F/PLT 16/17" R	
12	500663	ADLT ANGL ADJ F/PLT 16/17" L	
12	500664	ADLT ANGL ADJ F/PLT 18-20" R	
12	500665	ADLT ANGL ADJ F/PLT 18-20" L	
13	740260	TOE/ANKLE STRAP ADJT ADLT F/PLT	
14	106944	1/4 AN WASHER FLAT THIN	
15	106958	1/4-20 x 1 HEX C/S	

Pos.	Item Number	Description	Remarks
1-3,5,6,8,9,12	820460	FP ADLT ADJ 14/15 R	
1-3,5,6,8,9,12	820462	FP ADLT ADJ 14/15 L	
1-3,5,6,8,9,12	820464	FP ADLT ADJ 16/17 R	
1-3,5,6,8,9,12	820466	FP ADLT ADJ 16/17 L	
1-3,5,6,8,9,12	820468	FP ADLT ADJ 18-20 R	
1-3,5,6,8,9,12	820470	FP ADLT ADJ 18-20 L	
1-3,5,6,8,9,12	921320	FP ADLT ADJ 14/15	Pair
1-3,5,6,8,9,12	921322	FP ADLT ADJ 16/17	Pair
1-3,5,6,8,9,12	921324	FP ADLT ADJ 18-20	Pair
1-3,5,6,8-12,14,15	820461	FP ADLT ADJ 14/15 R HL	
1-3,5,6,8-12,14,15	820463	FP ADLT ADJ 14/15 L HL	
1-3,5,6,8-12,14,15	820465	FP ADLT ADJ 16/17 R HL	
1-3,5,6,8-12,14,15	820467	FP ADLT ADJ 16/17 L HL	
1-3,5,6,8-12,14,15	820469	FP ADLT ADJ 18-20 R HL	
1-3,5,6,8-12,14,15	820471	FP ADLT ADJ 18-20 L HL	
1-3,5,6,8-12,14,15	921321	FP ADLT ADJ 14/15 HL	Pair
1-3,5,6,8-12,14,15	921323	FP ADLT ADJ 16/17 HL	Pair
1-3,5,6,8-12,14,15	921325	FP ADLT ADJ 18-20 HL	Pair
1-3,7,9-10,14-15	101533	ADLT ANG ADJ FP D2 HDWR KIT	Kit for one side
1-4,7B,9,10,14-15	101534	ADLT ANG ADJ FP RND HDWR KIT	Kit for one side
		Ship assembled part #	Use with multiple assemblies
ASSY-HNG-FP	ASSY-HNG-FP	HANGER/FOOTPLATE ASSY REQUIRED	add with Hanger & Footplate kit

Note: optional Calf Pads sold separately; see PRO SWING AWAY CALF PADS & KNEE PAD parts page.

Note: when retrofitting ELR Legrests then Hanger Receivers are required; refer to PRO HANGER RECEIVER parts page.



Pos.	Item Number	Description	Remarks
1A	163378	SA MANUAL ELR 15-16 RH	Right; 15-16"
1A	163379	SA MANUAL ELR 15-16 LH	Left; 15-16"
1B	163380	SA MANUAL ELR17-18 RH	Right; 17-18"
1B	163381	SA MANUAL ELR 17-18 LH	Left; 17-18"
1C	163382	SA MANUAL ELR 19-20 RH	Right; 19-20"
1C	163383	SA MANUAL ELR 19-20 LH	Left; 19-20"
1D	163384	SA MANUAL ELR 21-22 RH	Right; 21-22"
1D	163385	SA MANUAL ELR 21-22 LH	Left; 21-22"
3	116576	SHCS, M8 X 1.25 X 20, FULL, NP	
4	6000933	ADJUST LEGREST HOLDER	

Pos.	Item Number	Description	Remarks
2-4	22505214-002	SA LEGREST MANUAL RIGHT	Right
2-4	22505214-001	SA LEGREST MANUAL LEFT	Left
5A	22505217-001	LOWER SHORT SW385-400MM	15-16"; Footplate & Ext Tube
5B	22505217-002	LOWER SHORT SW420-460MM	17-18"; Footplate & Ext Tube
5C	22505217-003	LOWER SHORT SW480-520MM	19-20"; Footplate & Ext Tube
5D	22505217-004	LOWER SHORT SW540-560MM	21-22"; Footplate & Ext Tube
6A	104380-003	ADJ FOOTREST STRAP 17-18W	16-18" Wide
6B	104380-004	ADJ FOOTREST STRAP 19-20W	19-22" Wide
7	104328	POST HEEL LOOP	
8	102268-001	HHCS M6 X 1 X 25 BLK	
9A	22505030-001	CALF STRAP ASSY SHORT	16-20" Wide
9B	22505030-002	CALF STRAP ASSY LONG	21-22" Wide

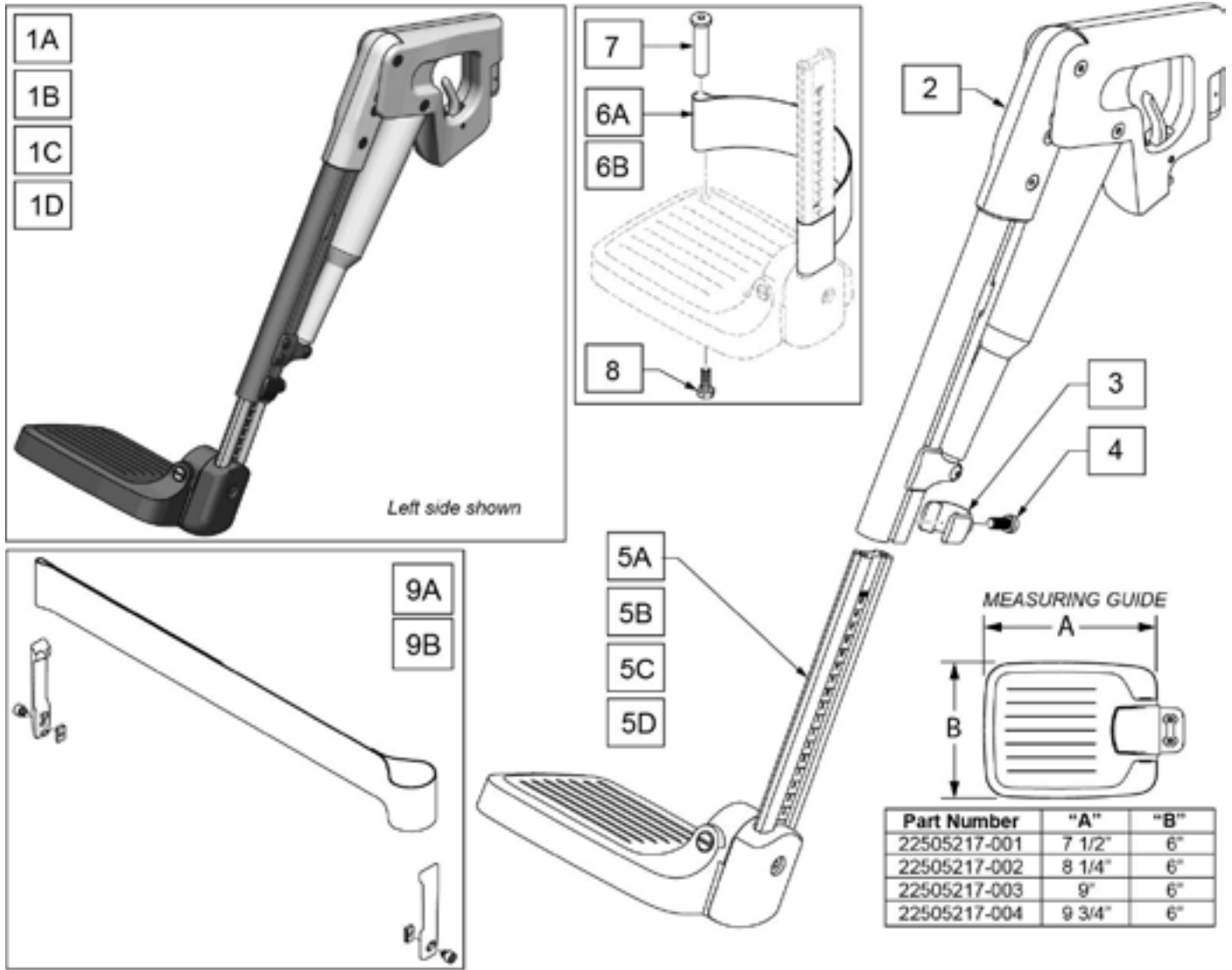
Note: optional Calf Pads sold separately; see PRO SWING AWAY CALF PADS & KNEE PAD parts page.

Note: Actuator not sold separately, order SA LEGREST POWERED RIGHT or LEFT.

Note: when retrofitting ELR Legrests then Hanger Receivers are required; refer to PRO HANGER RECEIVER parts page.

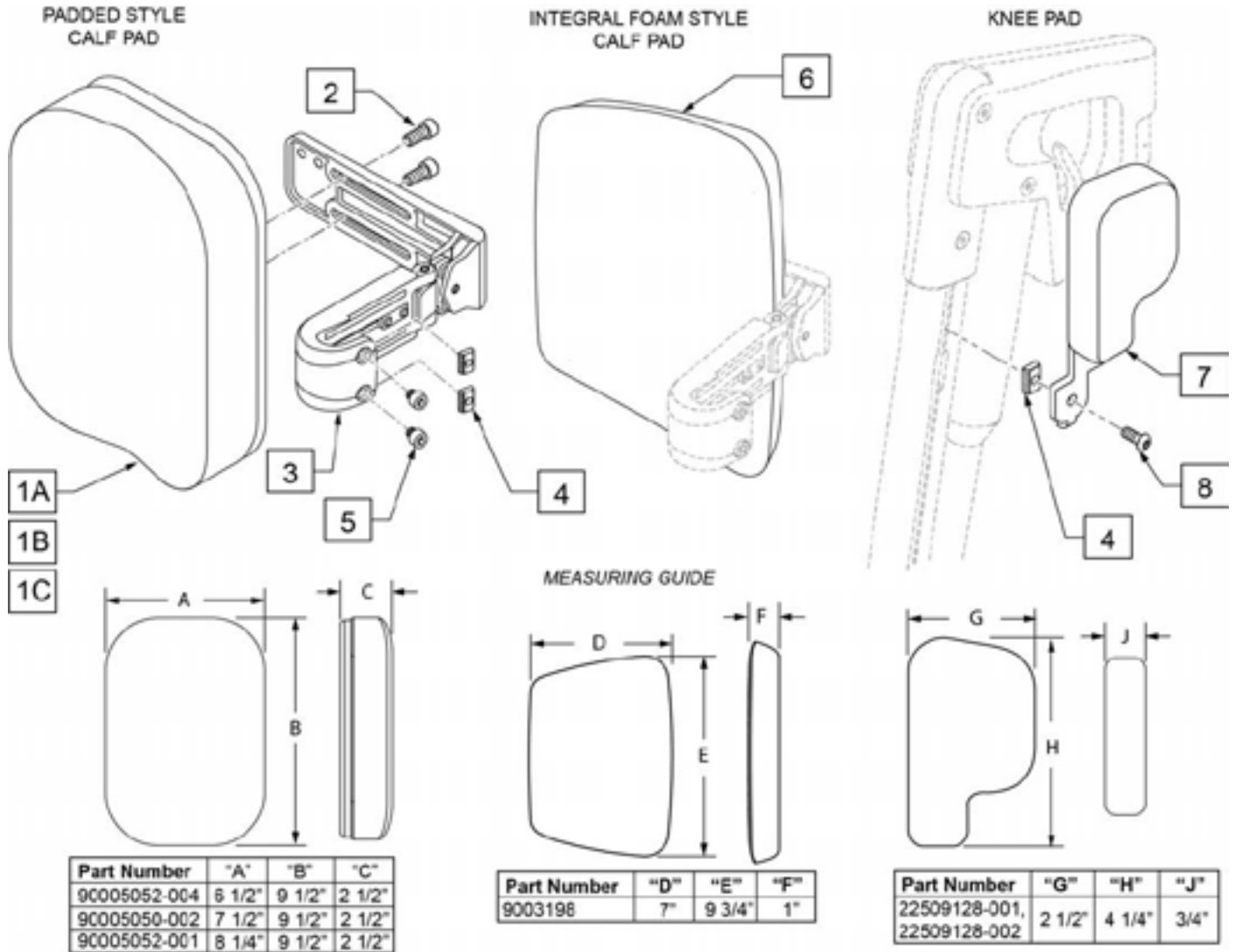
Note: if retrofitting from Manual S/A Hangers to Power S/A ELR's, Legrest Harnesses are required; refer to WIRING Q700M PRO parts page to order qty 2 each of p/n's 22511004 & 22511005.

Note: If adding or changing Power Legrest options on a chair with Power Recline please also see Wiring Q700M Pro parts page for replacement recline actuator harnessing.



Pos.	Item Number	Description	Remarks
1A	163386	SA POWER ELR 15-16 RH	Right; 15-16"
1A	163387	SA POWER ELR 15-16 LH	Left; 15-16"
1B	163388	SA POWER ELR17-18 RH	Right; 17-18"
1B	163389	SA POWER ELR 17-18 LH	Left; 17-18"
1C	163390	SA POWER ELR 19-20 RH	Right; 19-20"
1C	163391	SA POWER ELR 19-20 LH	Left; 19-20"
1D	163392	SA POWER ELR 21-22 RH	Right; 21-22"
1D	163393	SA POWER ELR 21-22 LH	Left; 21-22"
3	6000933	ADJUST LEGREST HOLDER	
4	116576	SHCS, M8 X 1.25 X 20, FULL, NP	
2-4	22505216-002	SA LEGREST POWERED RIGHT	Right
2-4	22505216-001	SA LEGREST POWERED LEFT	Left
5A	22505217-001	LOWER SHORT SW385-400MM	15-16"; Footplate & Ext Tube
5B	22505217-002	LOWER SHORT SW420-460MM	17-18"; Footplate & Ext Tube
5C	22505217-003	LOWER SHORT SW480-520MM	19-20"; Footplate & Ext Tube
5D	22505217-004	LOWER SHORT SW540-560MM	21-22"; Footplate & Ext Tube
6A	104380-003	ADJ FOOTREST STRAP 17-18W	16-18' Wide
6B	104380-004	ADJ FOOTREST STRAP 19-20W	19-22" Wide

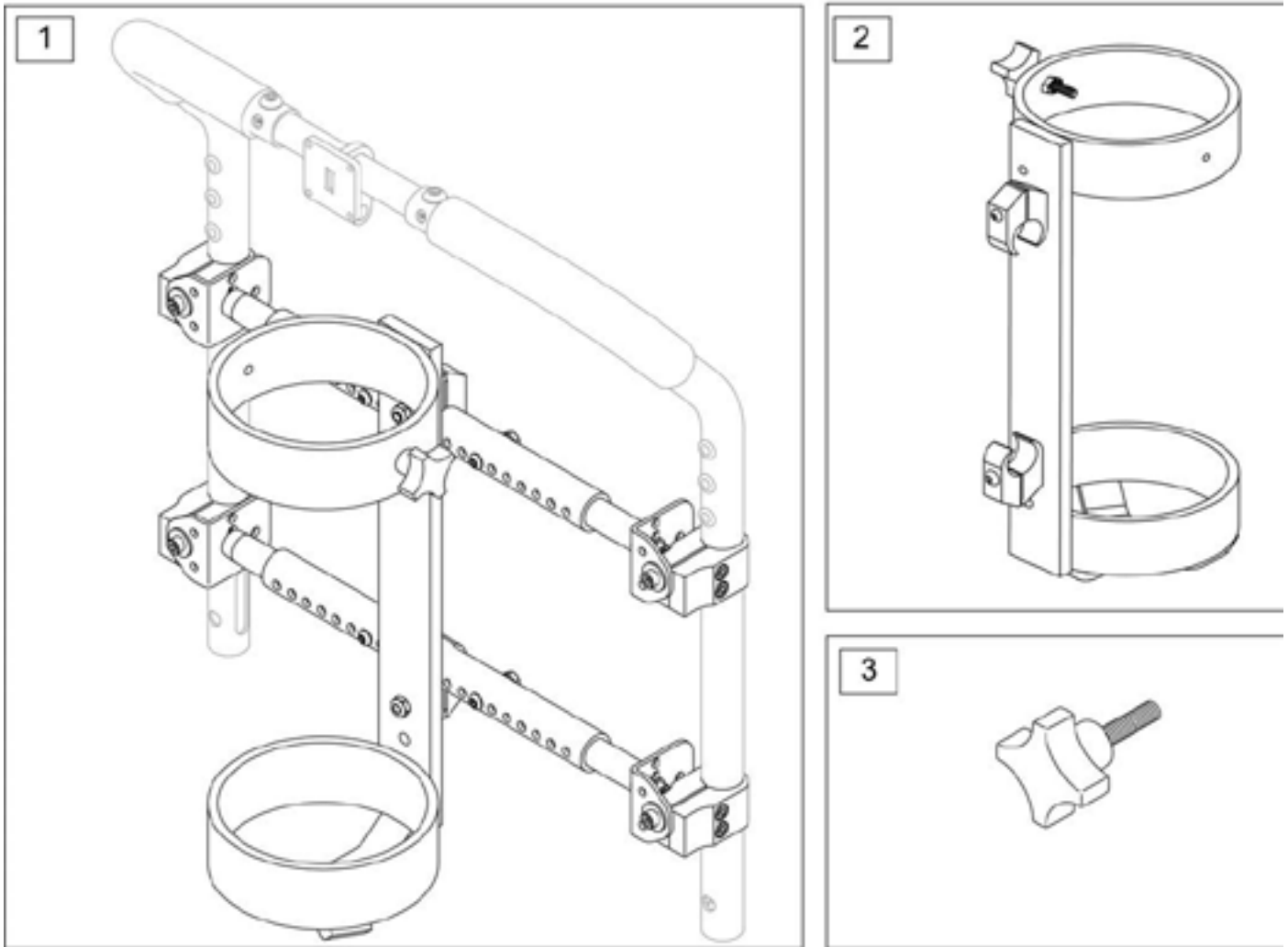
Pos.	Item Number	Description	Remarks
7	104328	POST HEEL LOOP	
8	102268-001	HHCS M6 X 1 X 25 BLK	
9A	22505030-001	CALF STRAP ASSY SHORT	16-20" Wide
9B	22505030-002	CALF STRAP ASSY LONG	21-22" Wide



Pos.	Item Number	Description	Remarks
1A	90005052-004	UPH CALFPLATE LRG SET SW 38-42	15-16" width; Padded style
1B	90005050-002	UPH CALFPLATE LRG SET SW 44-50	17-20" width; Padded style
1C	90005052-001	UPH CALFPLATE LRG SET SW 54-58	21-22" width; Padded style
2	103132	SHCS, M6 X 1 X 10, FULL, PL	
3-5	9010160	CALF PAD BRACKET ASSY	
6	9003198	CALF PLATE FOAM	18-22"; Integral Foam style
2-6	9010430	CALF PLATE PU WITH DEPTH ADJ	18-22"; Integral Foam style
1A-5	163403	UPH CALF PAD ASSM 15-16	15-16" width; Padded style
1B-5	163404	UPH CALF PAD ASSM 17-20	17-20" width; Padded style
1C-5	163405	UPH CALF PAD ASSM 21-22	21-22" width; Padded style
7-9	22509128-002	KNEE CUSHION RH	Right
7-9	22509128-001	KNEE CUSHION LH	Left
4	6000994	CASTED CLAMP STRIP	
5	0001002500-014	SHCS M6X1X6 ZN 8.8 PL	

Note: Padded Style Calf Pad is standard on-chair option for Manual & Power ELR's.

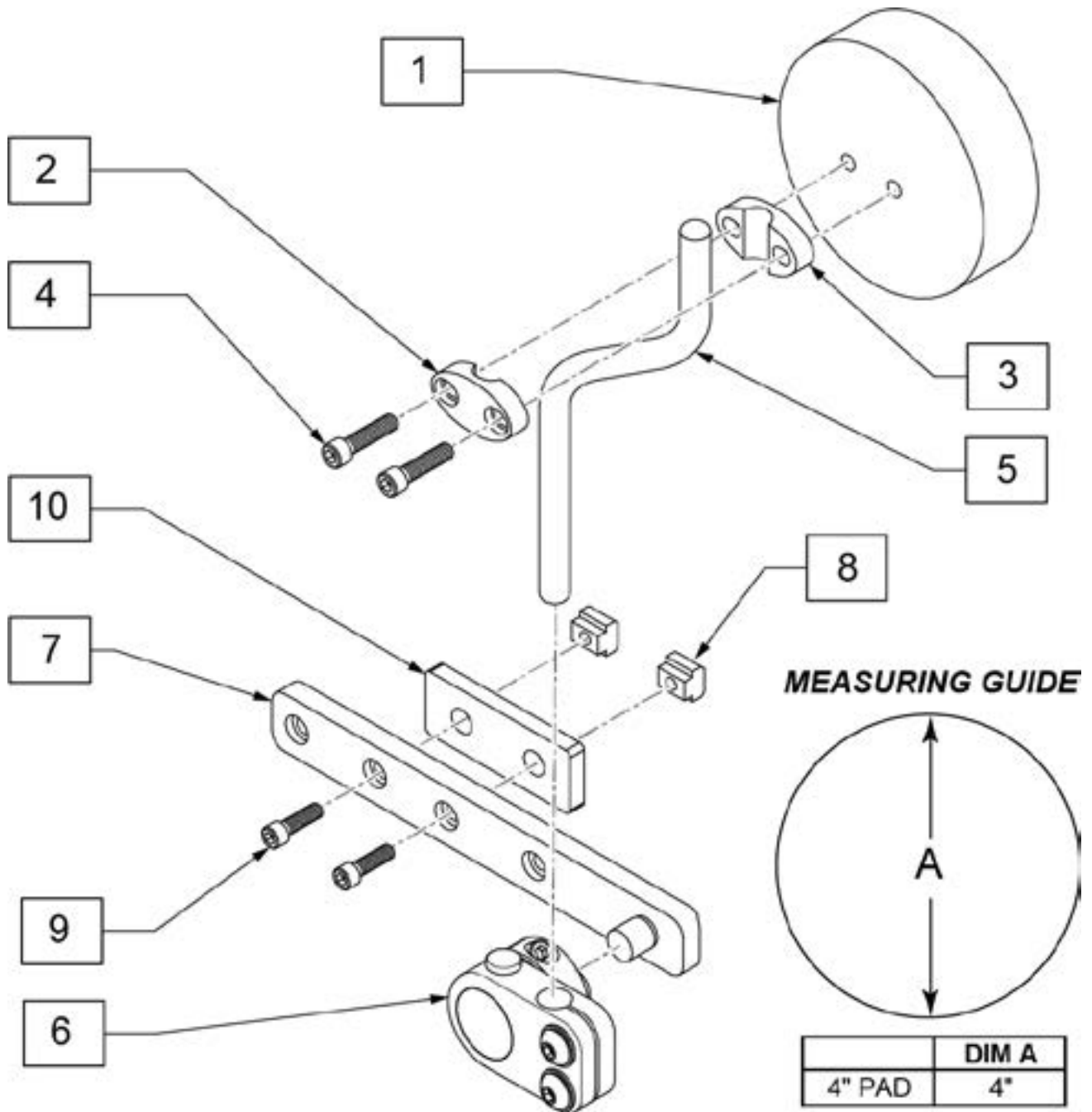
NOTE: AVAILABLE WITH STANDARD BACKREST ONLY AND WILL NOT BE COMPATIBLE WITH CHAIRS THAT ARE EQUIPPED WITH S/A HEIGHT ADJ STROLLER HANDLES, TRANSIT OPTION, JAY 3 BACK OR RECLINING BACKREST. ACCOMMODATES SIZE D & E OXYGEN TANKS.



Pos.	Item Number	Description	Remarks
1	TBD	O2 HOLDER W/ BACKREST MOUNT 14" - 22" WIDE	ACCOMMODATES SIZE D & E OXYGEN TANKS
2	884135	O2 HOLDER W/ 1" CLAMPS	ACCOMMODATES SIZE D & E OXYGEN TANKS
3	343080	FOUR-PRONG KNOB STUD 1/4 -20	

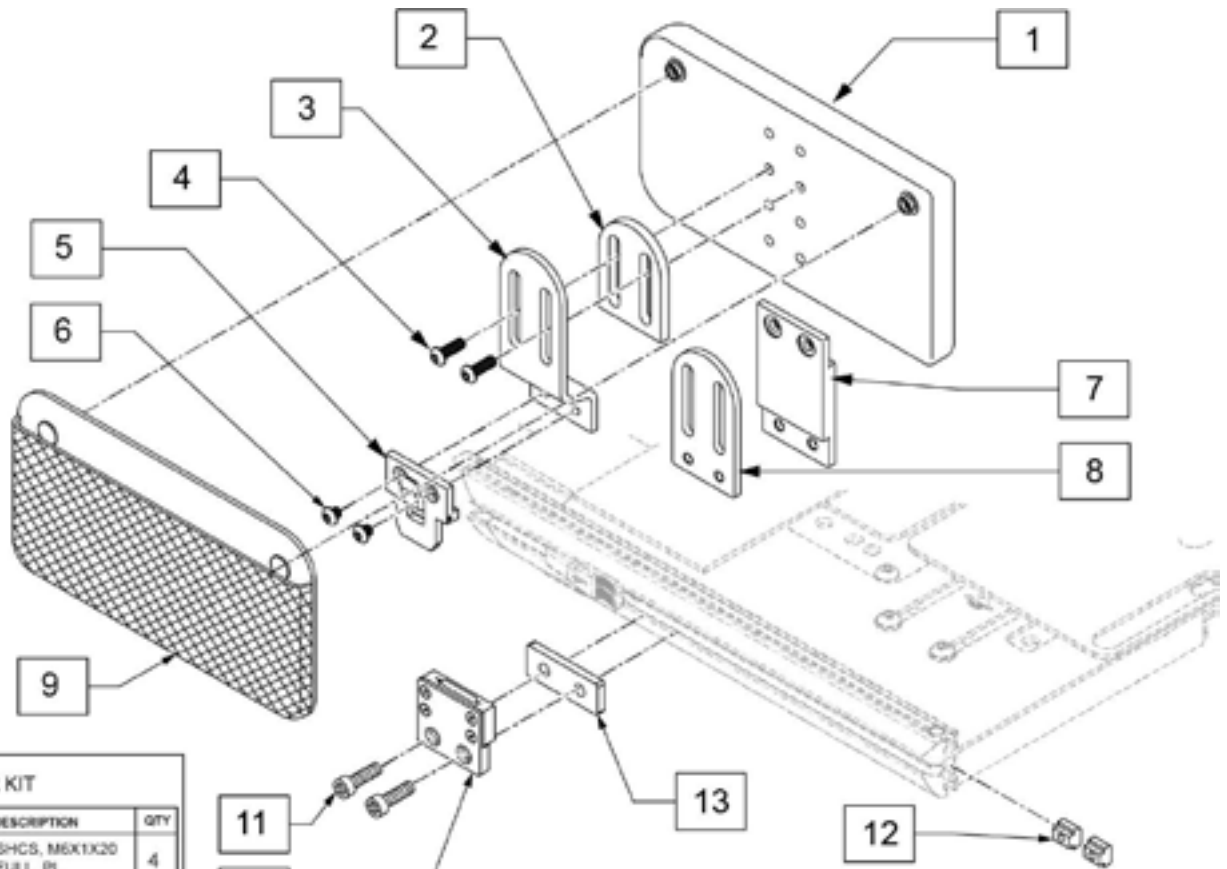
Note: not compatible with Lower Extremity Support.

Note: Retro Kits include extra fasteners for multiple seating styles.



Pos.	Item Number	Description	Remarks
1	KAD11XX	KNEE ADD PAD, 4IN ROUND	
2-4	112830	PAD MOUNT KIT KNEE SPPRT ASSM	
5	PRT4857	LONG ARM SA KNEE	Long: 8"
6	112831	SWING AWAY KNEE SUPPORT R	Right
6	112832	SWING AWAY KNEE SUPPORT L	Left
8	132688	M6 T-NUT ISO299	
9	102263-005	SHCS, M6 X 1 X 20, FULL, PL	
1-10	125582	KNEE SUP ASSM R LNG 4 PAD SHT	Right; kit includes multiple fasteners
1-10	125583	KNEE SUP ASSM L LNG 4 PAD SHT	Left; kit includes multiple fasteners

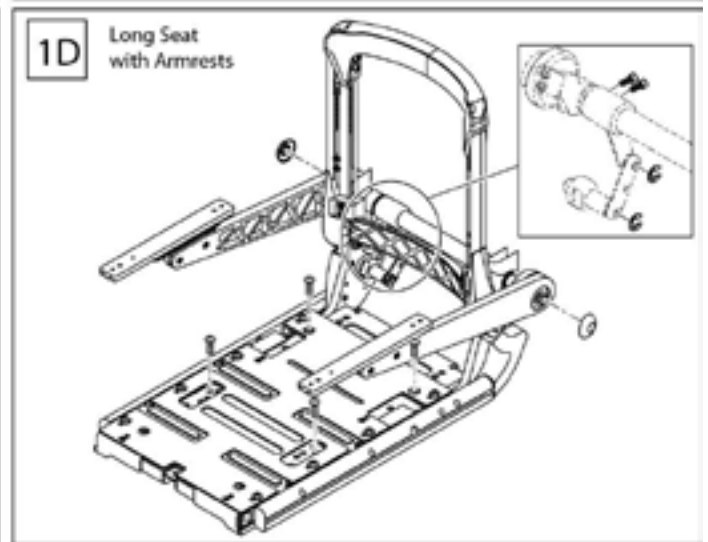
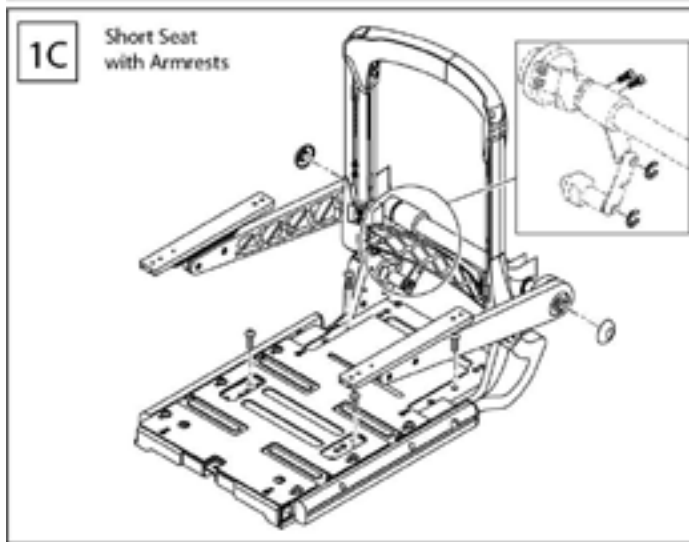
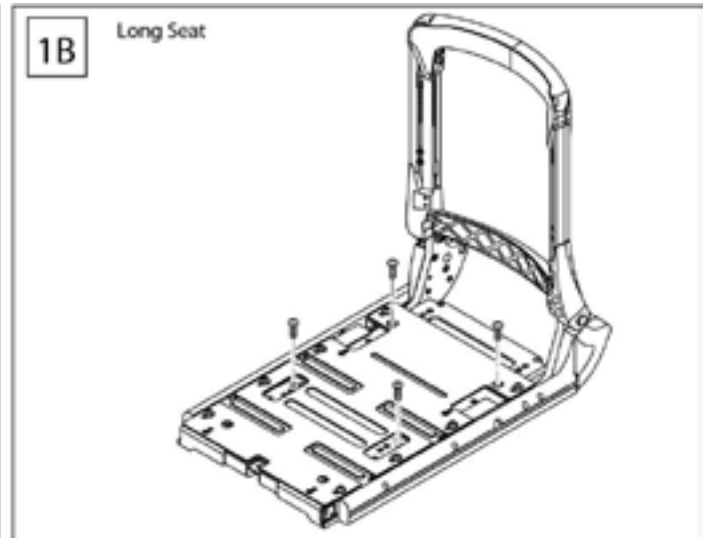
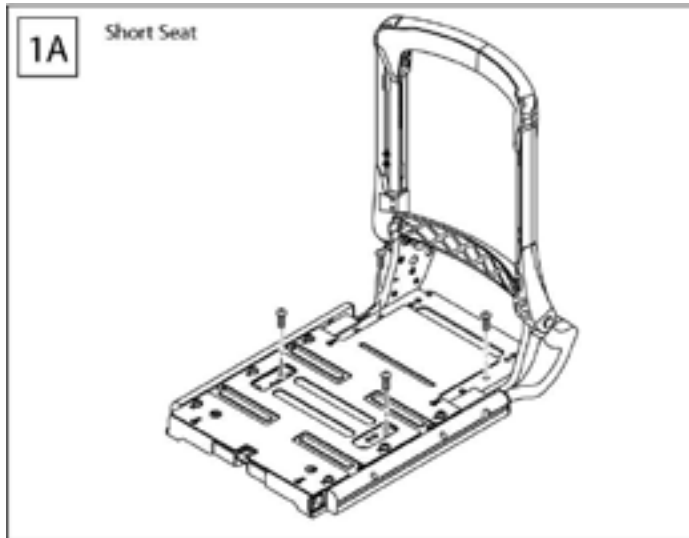
Note: Sedeo Ergo seat shown; used on Ergo and Pro Seating.



14 FASTENER KIT			
ITEM #	ILLUSTRATION	DESCRIPTION	QTY
11		SHCS, M6X1X20 FULL, PL	4
12		MS T-NUT ISO299	4
13		EZ ACC REM BRKT SPACER	2

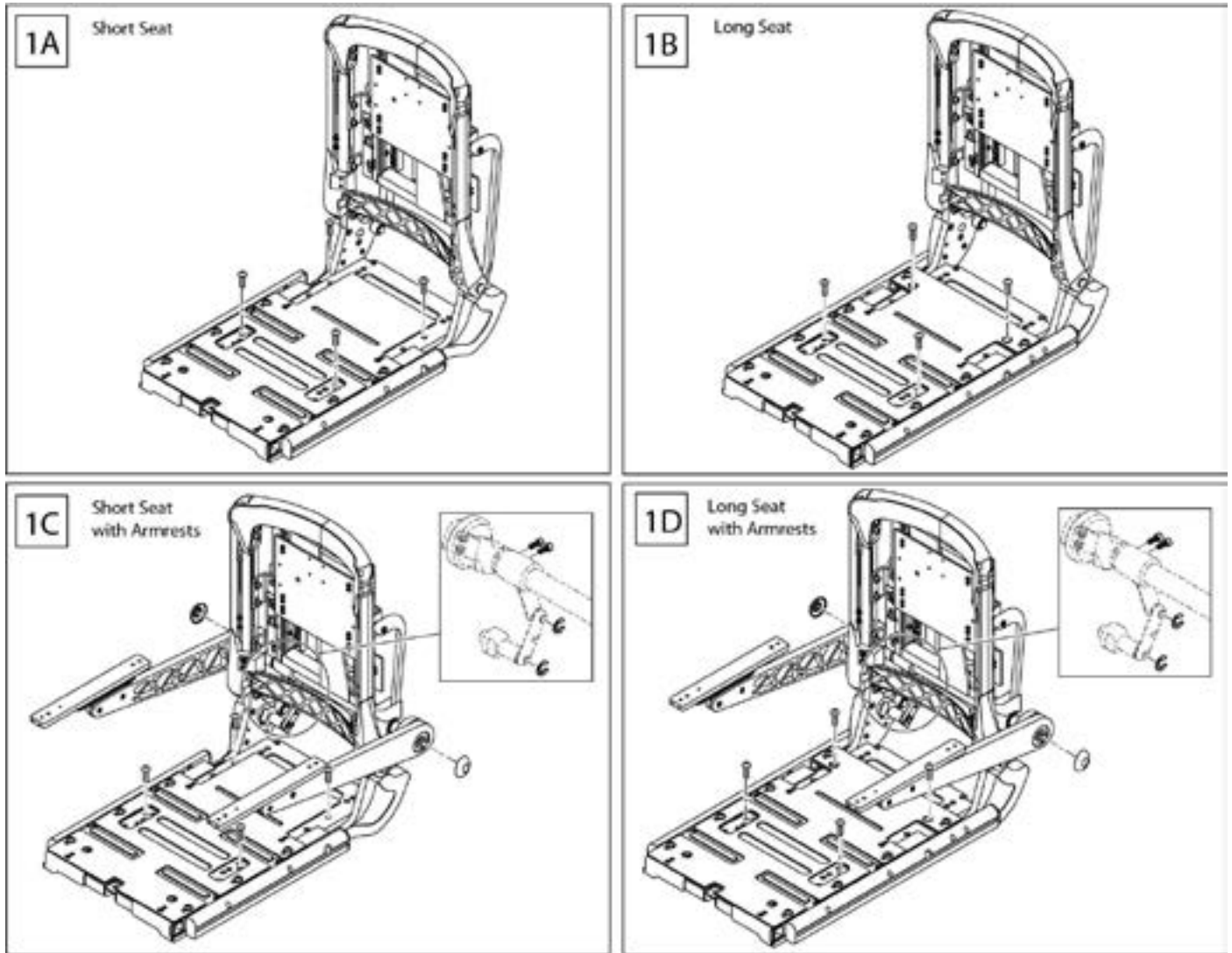
Pos.	Item Number	Description	Remarks
9	PMB1099	PELVIC MESH BAG	
1,4,7,9	107313	HIP GUIDE PAD 5X10 REPL KIT R	Right
1,4,7,9	164180	HIP GUIDE PAD 5X10 REPL KIT L	Left
12	132688	M6 T-NUT ISO299	
1-13	161150	HIP GUIDE ASSY RH 5X10 ERGO	Right
1-13	161149	HIP GUIDE ASSY LH 5X10 ERGO	Left
14	161151	HIP GUIDE FASTENERS ERGO	2 sides; kit includes items 11-13

Note: Armpads not included; see ARMREST PADS SEDEO PRO to order armpads.

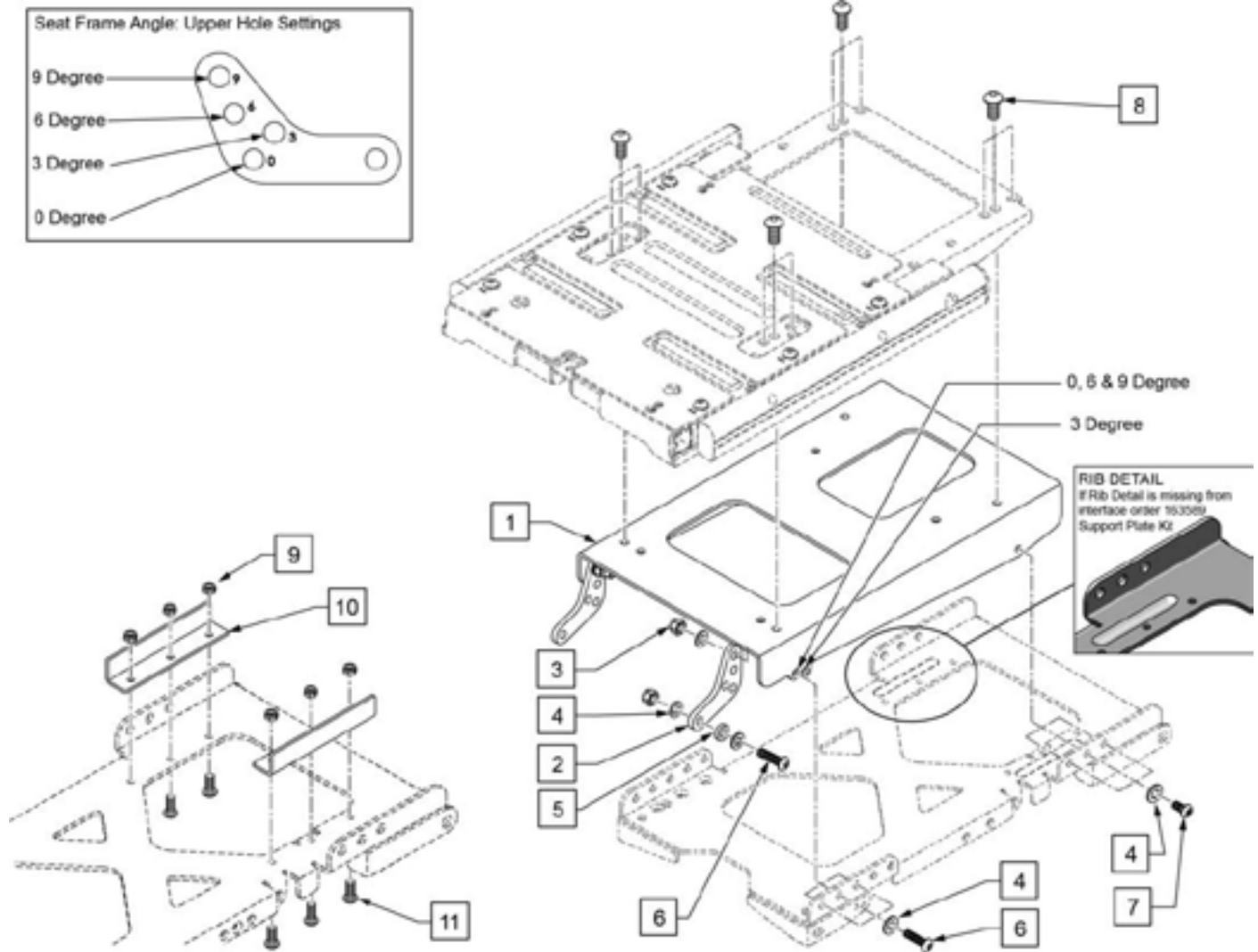


Pos.	Item Number	Description	Remarks
1A	163831	TOOL ADJ SHORT SEAT KIT	
1B	163833	TOOL ADJ LONG SEAT KIT	
1C	163832	TOOL ADJ SHORT SEAT W/ ARM KIT	see note
1D	163834	TOOL ADJ LONG SEAT W/ ARM KIT	see note

Note: Armpads not included; see ARMREST PADS SEDEO PRO to order armpads.

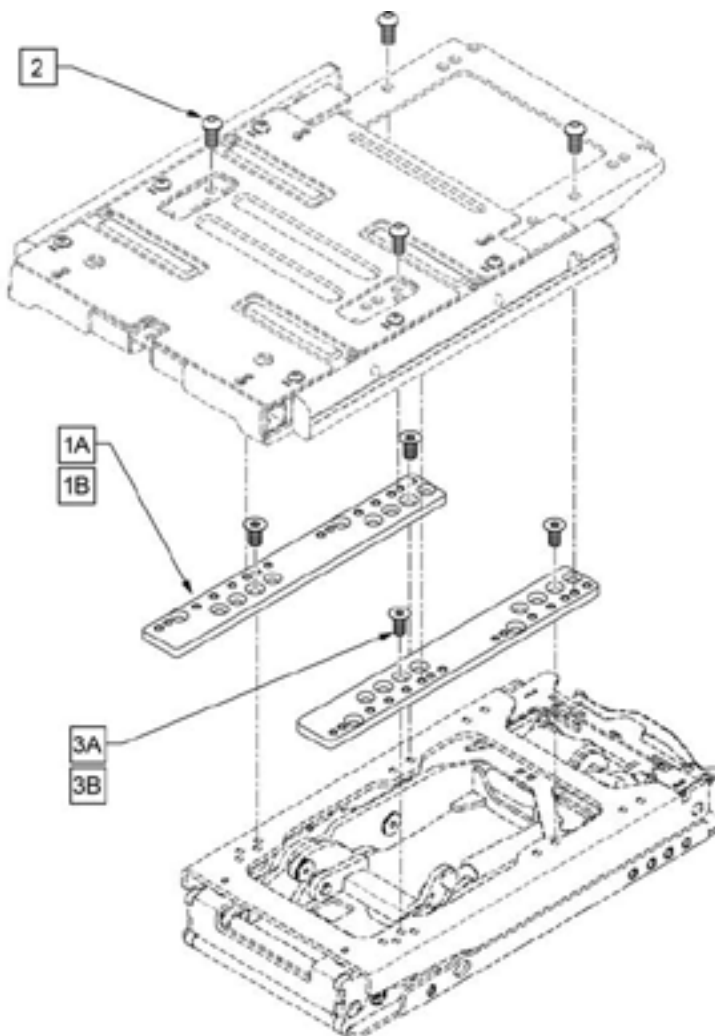


Pos.	Item Number	Description	Remarks
1A	163843	PWR REC 150DEG SHORT SEAT KIT	
1B	163845	PWR REC 150DEG LONG SEAT KIT	
1C	163844	PWR REC 150D SHORT SEAT W/ARM KIT	see note
1D	163846	PWR REC 150D LONG SEAT W/ARM KIT	see note

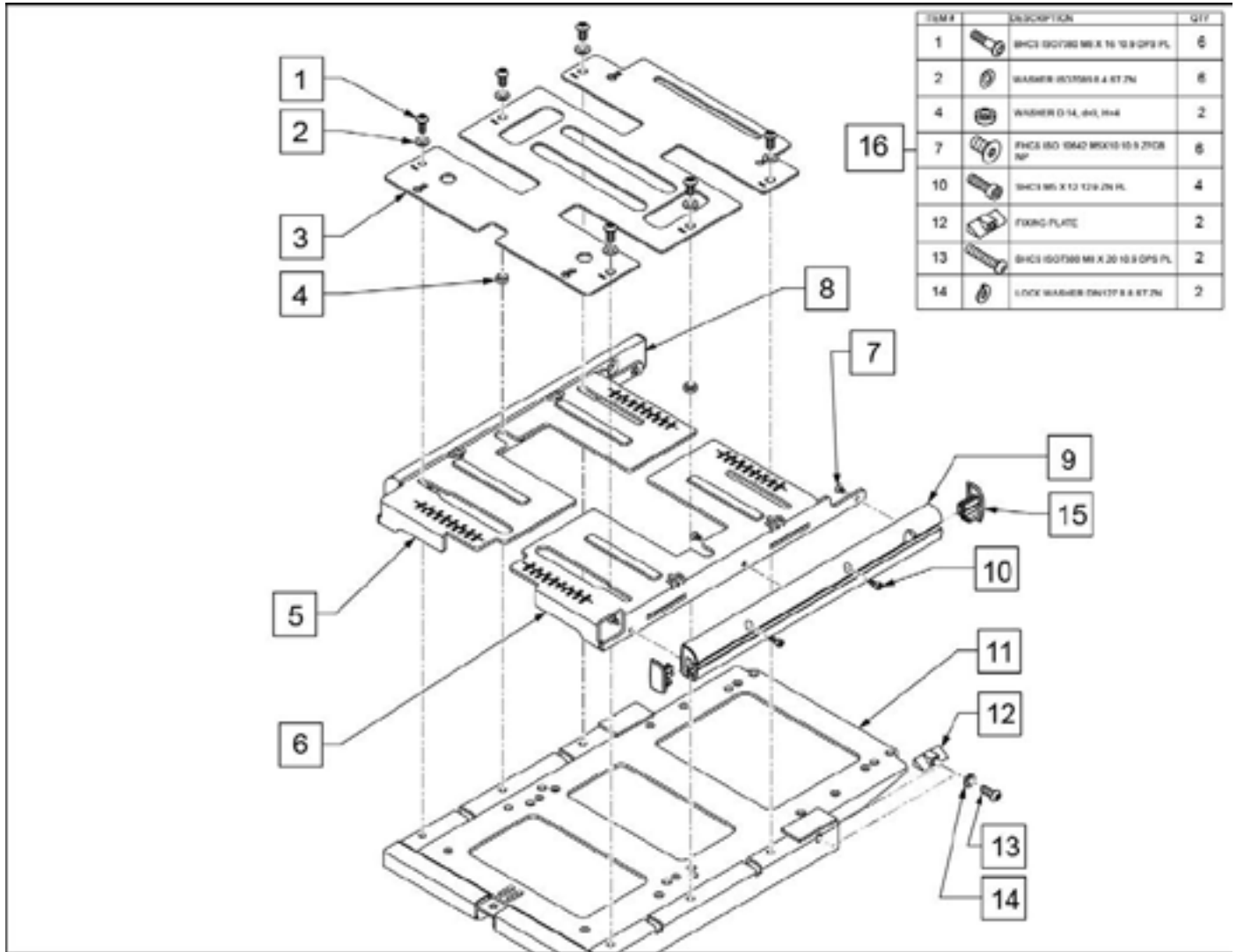


Pos.	Item Number	Description	Remarks
3	000102544-002	NUT ISO7040 M8 A2-70	
4	000130108	WASHER ISO7089 8,4 A2	
5	20010129	SPACER PLATE D=16, d=9, H=4	used with 3, 6 & 9 degree seat frame angle
6	000104085	BHCS ISO7380 M8 X 30 10.9 ZN NP	
7	000104140	BHCS ISO7380 M8 X 16 10.9 DPS PL	
8	103185-005	BHCS, M6 X 1 X 12, FUL, PL	
1-7	248721	FILLER MODULE 3 DEG	
9-11	163589	SUPPORT PLATE KIT	use when interface ribs (see rib detail) are not present on the seat interface

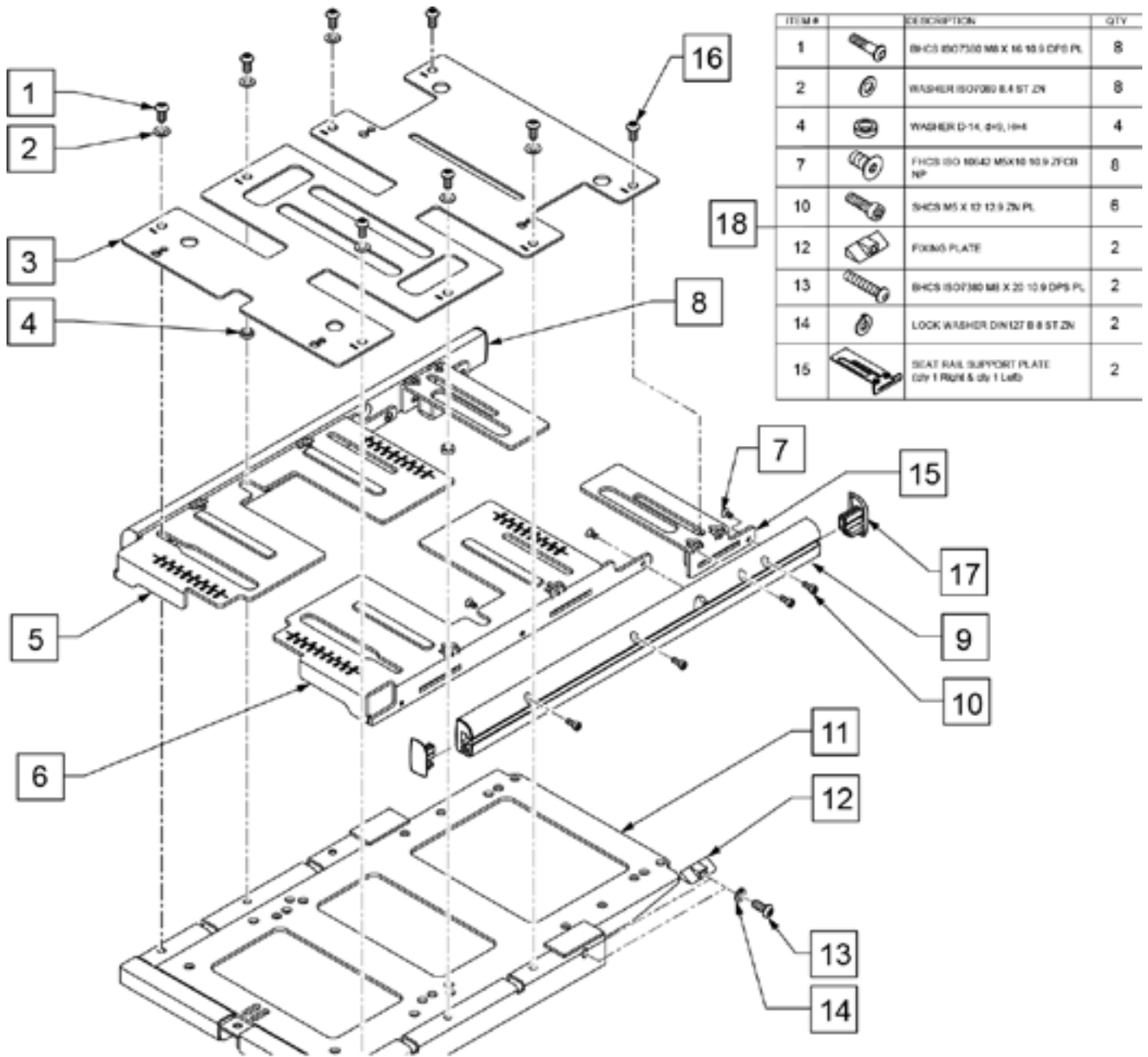
Note: refer to instruction sheet for hole positions to attain desired configuration.



Pos.	Item Number	Description	Remarks
2	103185-005	BHCS M8 X 1.25 X 12	
3A	125756	FHCS, M8X1.25X12, FULL PL	to secure Adapter to Combo or Lift
3B	230129	FHCS M8 X 1.25 X20	to secure Adapter to Tilt
1A-3A,3B	163472	PRO SEAT INTERFACE LIFT/TLC	Pair; used with Combo or Lift
1B-3A,3B	163473	PRO SEAT INTERACE TILT	Pair; used with Tilt



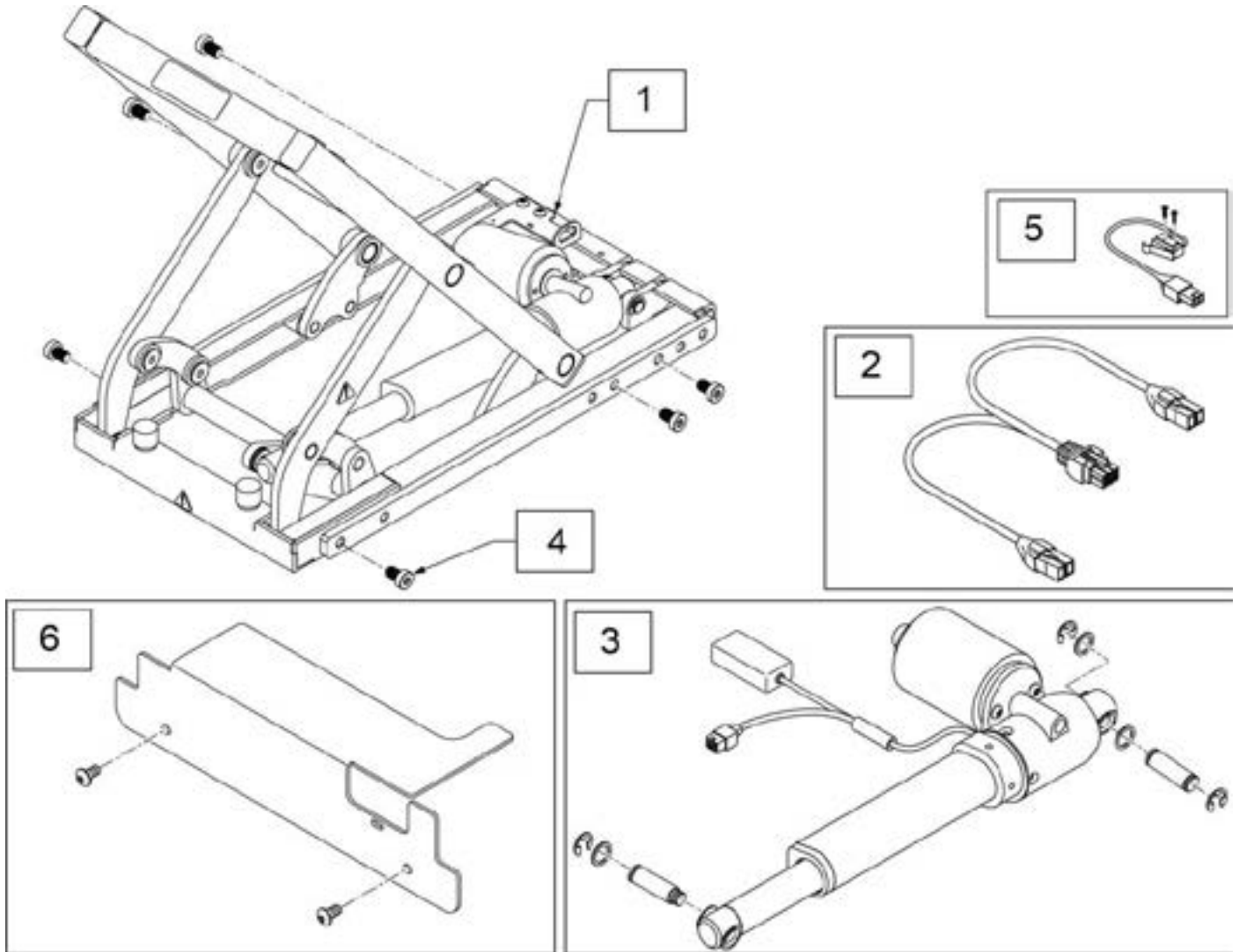
Pos.	Item Number	Description	Remarks
5	22502038-002	SEAT PLATE ADJUSTABLE RH	
6	22502038-001	SEAT PLATE ADJUSTABLE LH	
11	22502050	SEAT STRUCTURE WELDMENT	
12	n/a	FIXING PLATE	see kit
15	22502018	SEAT RAIL CAPS	Pair
16	163323	SEAT HARDWARE KIT	
3,7-10,15	22502019	SEAT RAIL SHORT ASSY COMPLETE	Pair plus fasteners & plate
1-15	22502000-001	SEAT PLATE ASSEMBLY SHORT RAIL	16-20" Seat Depth



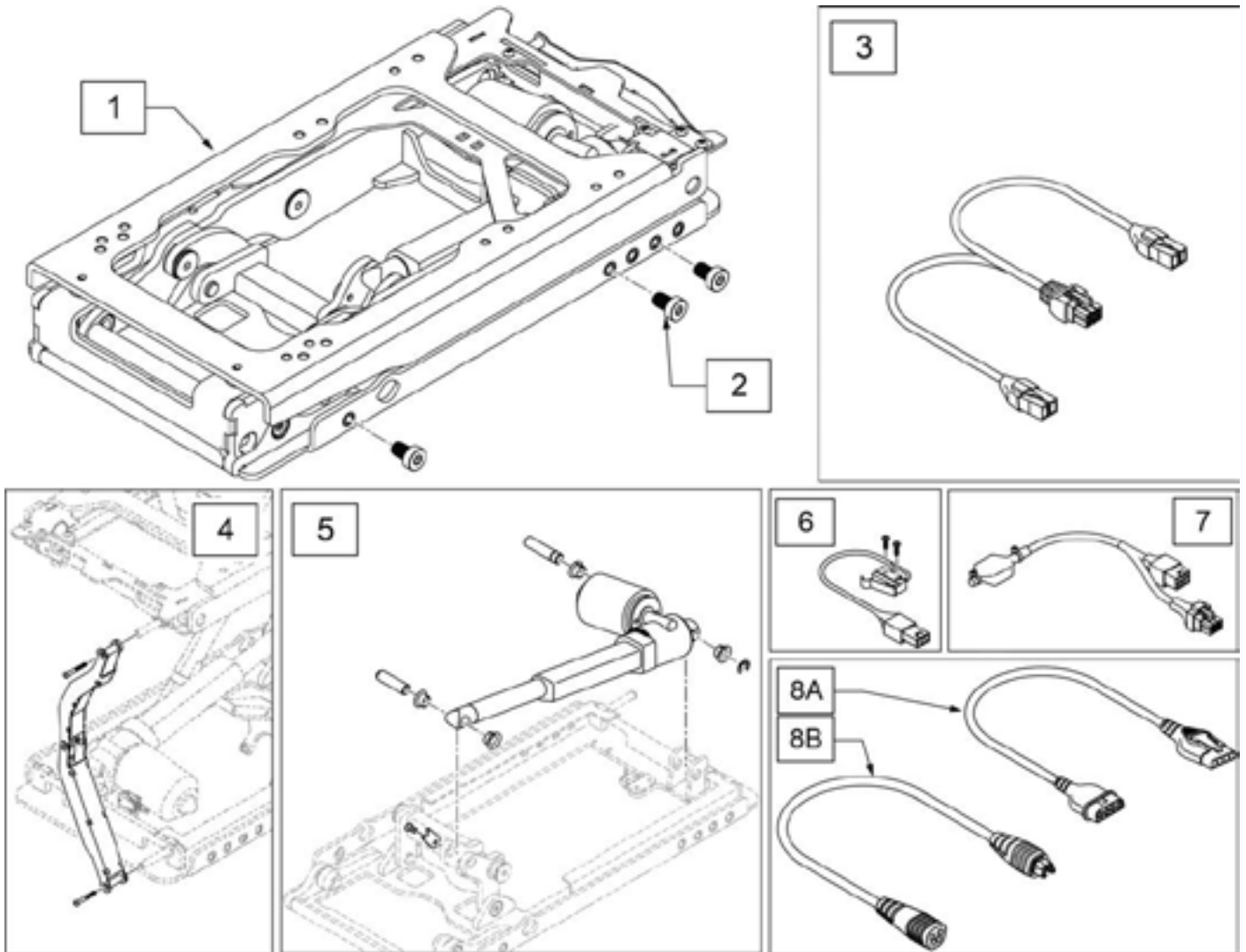
ITEM #	DESCRIPTION	QTY
1	BHCS ISO7300 M8 X 16 10.9 DPG PL	8
2	WASHER ISO7300 8.4 ST 2N	8
4	WASHER D-14, 4H, 10H	4
7	FHCS ISO 8842 M8X10 9.2FCB NP	8
10	SHCS M5 X 12 12.9 2N PL	6
12	FORMS PLATE	2
13	BHCS ISO7380 M8 X 20 10.9 DPG PL	2
14	LOCK WASHER DIN127 8 8 ST 2N	2
15	SEAT RAIL SUPPORT PLATE (Qty 1 Right & Qty 1 Left)	2

Pos.	Item Number	Description	Remarks
5	22502038-002	SEAT PLATE ADJUSTABLE RH	
6	22502038-001	SEAT PLATE ADJUSTABLE LH	
11	22502050	SEAT STRUCTURE WELDMENT	
17	22502018	SEAT RAIL CAPS	Pair
18	163324	SEAT LONG HARDWARE KIT	
3,7-10,15-17	22502015	SEAT RAIL LONG ASSY COMPLETE	converts short to long
1-17	22502000-002	SEAT PLATE ASSEMBLY LONG RAILS	19-22" Seat Depth

Note: for Q700 Pro, Stability Module is required for a chair equipped with both Tilt Module and any Reclining Backrest; see STABILITY MODULE AND BRACKET parts page.



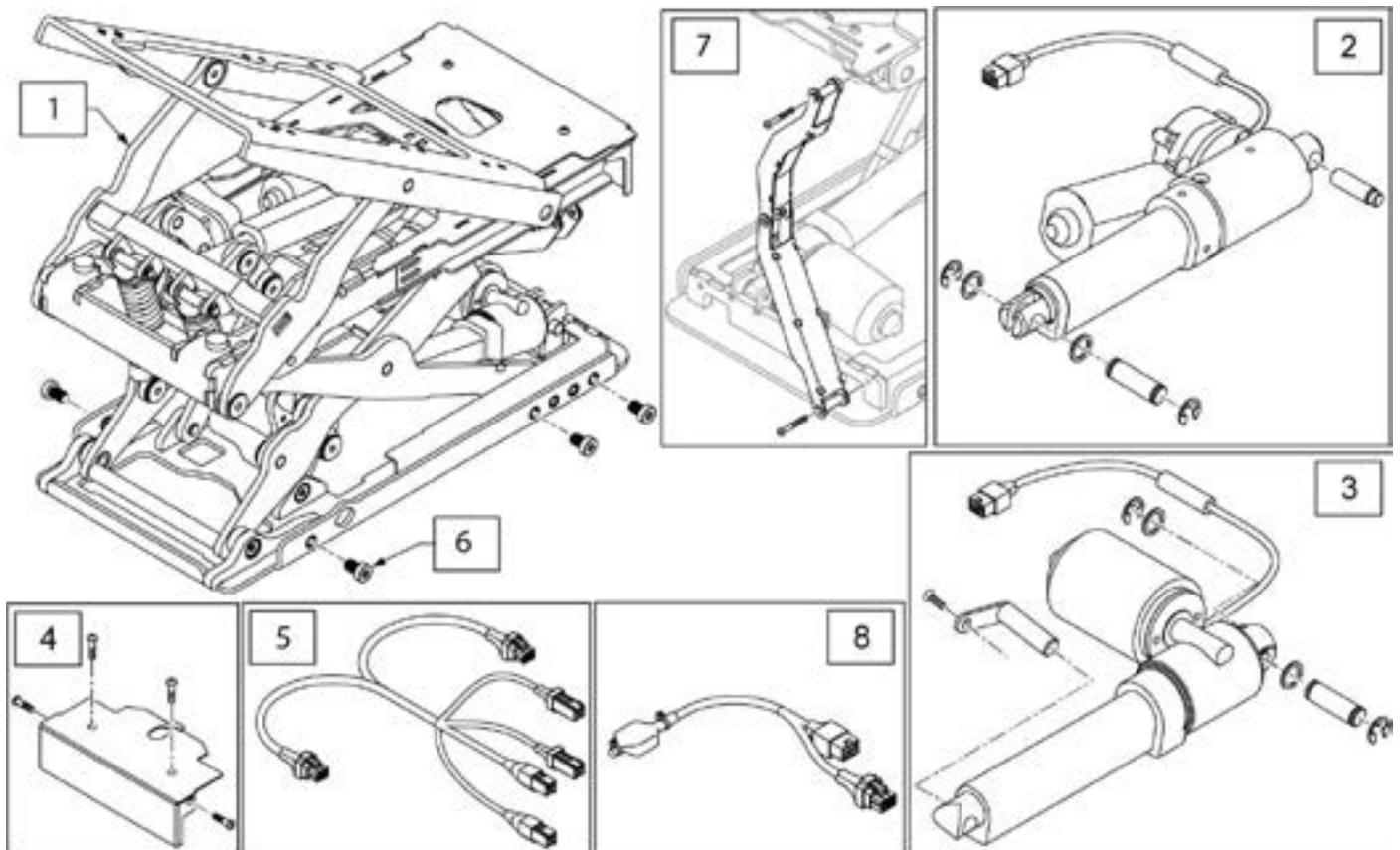
Pos.	Item Number	Description	Remarks
2	108309-120	HARN ACT WITH PGD INHIBIT - 1200mm	47"
3	163475	PM4 ACTUATOR W/INST	does not include item 5 (switch)
4	248502	SHCS M8X1.25X12 FULL PL	
5	20010132	LIMIT SWITCH W/PLUG	
6	20010143	COVER FOR TILT MODULE	
1-6	163326	TILT MODULE W/ FASTENERS	



Pos.	Item Number	Description	Remarks
1-7	163325	LIFT MODULE W/ FASTENERS	Complete assembly
2	248502	SHCS M8X1.25X12 FULL PL	
3	248728	HARN ACT W/INHIBIT CH6 - 1200	
4	20010138	CABLE TRACK INCL MOUNTING MATERIAL	
5	163474	ACTUATOR PM7 LIFT W/INST	
6	20010141	LIMIT SWITCH W/PLUG	
7	248490	E BREAK PM7 ASSY	Not used with Switch Control
8A	101626-100	VR2 JOYSTICK HARNESS	Required when using Lift with VR2 controller
8B	108557-100	HARN RNET BUS EXTENSION 1000MM	Required when using Lift with Rnet controller

Note: for Q700 Pro, Stability Module is required for chairs equipped with both Lift & Tilt Combo Module and any Reclining Backrest, and chairs equipped with both C-Me Lift and Fixed Backrest; see STABILITY MODULE AND BRACKET parts page.

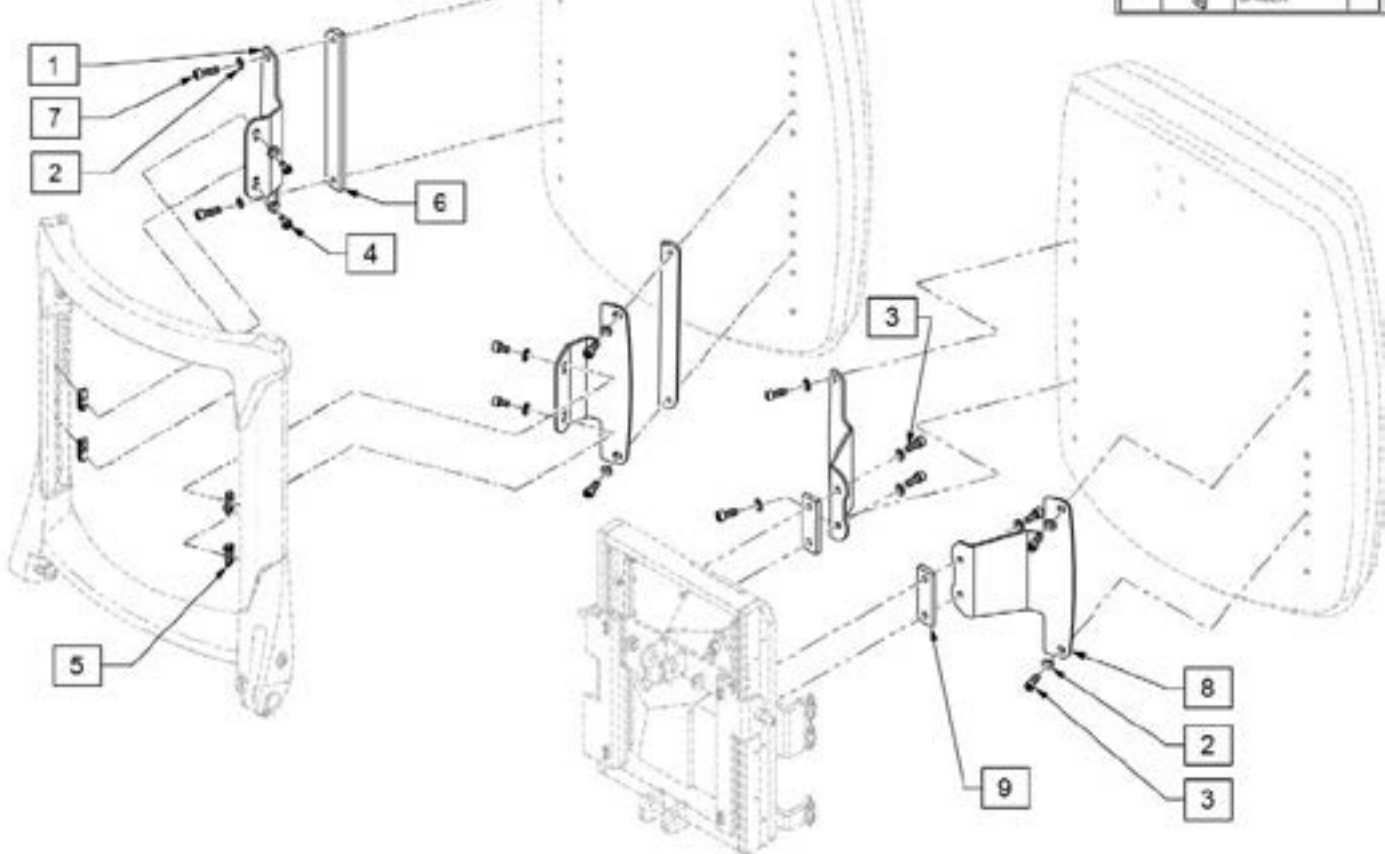
Note: For Q500M only available with C-Me option.



Pos.	Item Number	Description	Remarks
2	163476	ACTUATOR PM7 TILT COMBO W/INST	
3	163477	ACTUATOR PM7 LIFT COMBO W/INST	
4	20010139	COVER CABLE TRACK INCL MOUNTING MATERIAL	
5	248517	HARN, TLC ISM	
6	248502	SHCS M8X1.25X12 FULL PL	
7	20010137	CABLE TRACK INCL MOUNTING MATERIAL	
8	248490	E BREAK PM7 ASSY	Used on lift portion only
1-8	163327	LT COMBO MODULE W/ FASTENERS	

10 BACK HDWR FIXED KIT			
ITEM #	ILLUSTRATION	DESCRIPTION	QTY
1		SEDEO BACK BRACKET FIXED	2
2		WASHER FLAT M6	8
4		SHCS, M6X10, FULL, PL	4
ITEM #	ILLUSTRATION	DESCRIPTION	QTY
5		CLAMP NUT PROFILES	4
6		SDO FIXED BACK SPACER	2
7		SHCS, M6X25, FULL, PL	4

11 BACK HDWR RECLINE KIT			
ITEM #	ILLUSTRATION	DESCRIPTION	QTY
2		WASHER FLAT M6	8
3		SHCS, M6X16, FULL, PL	8
8		SEDEO BACK BRACKET POWER	2
9		SEDEO BACK SPACER	2

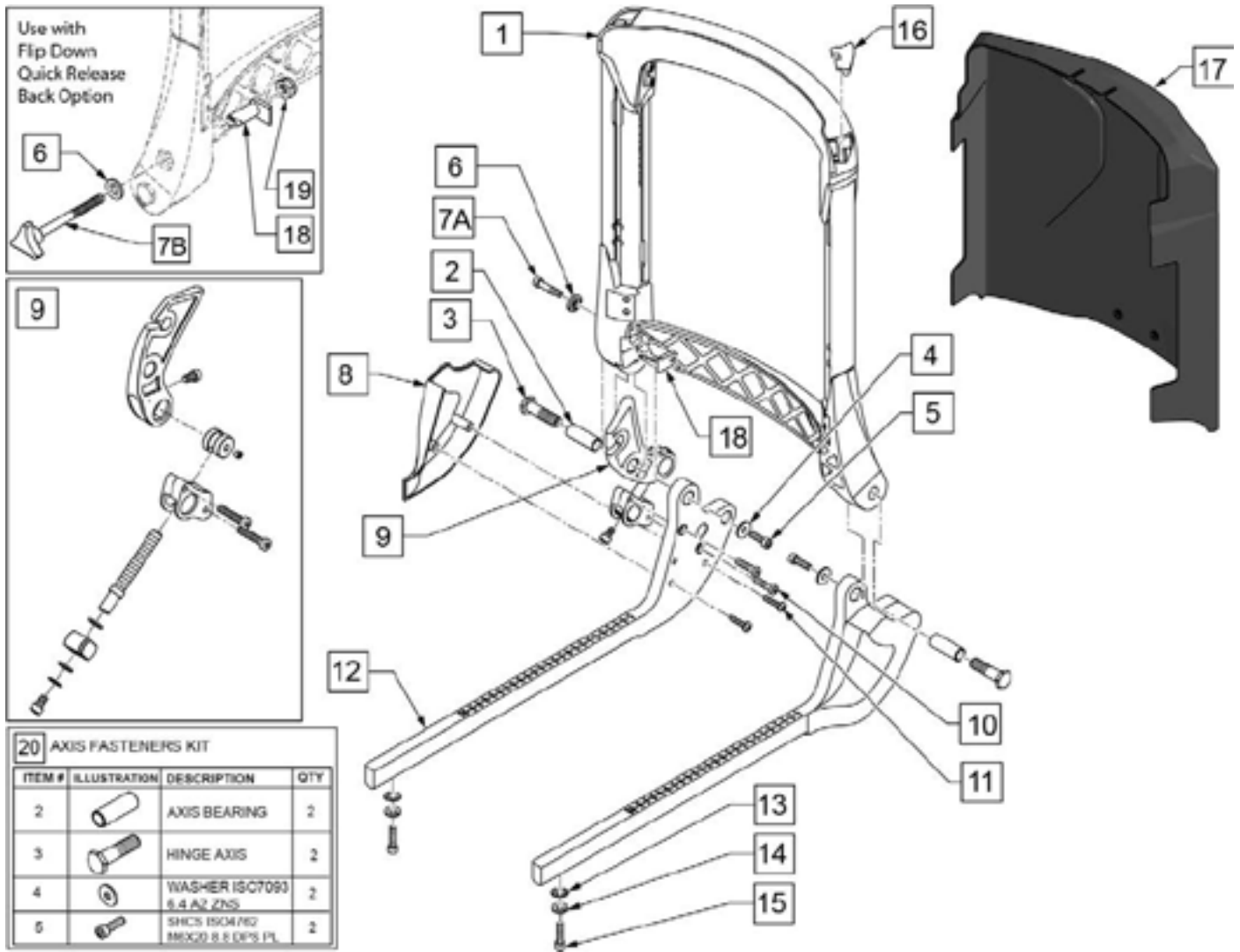


Pos.	Item Number	Description	Remarks
1	246649	SEDEO BACK BRACKET FIXED	Used for Fixed Back
2	250104	WASHER FLAT M6	
3	104522	SHCS,M6X1X16,FULL,PL	
4	103132	SHCS, M6X1X10, FULL, PL	
5	9003177	CLAMP NUT PROFILES	
6	250588	SDO FIXED BACK SPACER	
7	102263-003	SHCS, M6 X 1 X 25, FULL, PL	
8	246648	SEDEO BACK BRACKET POWER	Used for Recline Back
9	250422	SEDEO BACK SPACER	
10	247806	BACK HDWR SEDEO FIXED PR	Used for Fixed Back
11	247807	BACK HDWR SEDEO PRO RECLINE PR	Used for Recline Back

Note: items 6 and 7A are used with Standard Back option; item 7B is used with Flip Down Quick Release Back option.

Note: for Q700 Pro, Stability Module is required for a chair equipped with both C-Me Lift and Fixed Backrest; see STABILITY MODULE AND BRACKET parts page.

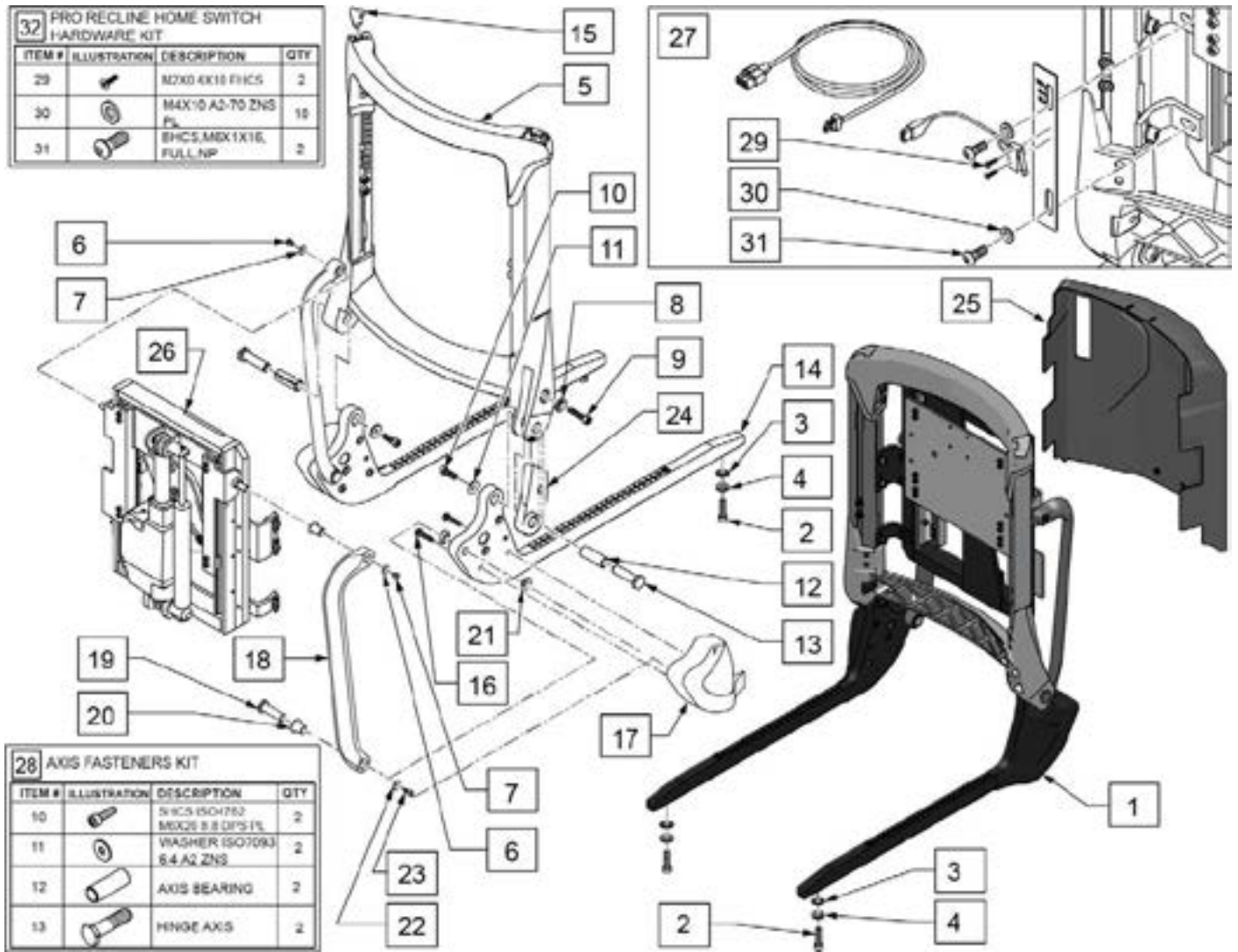
Note: please refer to Wiring section for Wiring Harnesses and Connectors.



Pos.	Item Number	Description	Remarks
1-6,7A,16,18	22503020	BACK FRAME ASSY	
9	22503210	FIXED RECLINE ASSY	
7B	000281024	KNOB DIN 6335 M6 X 30	Used with Flip Down QR Back option
12	22502024	SHIFT PIECE	
13	261535	1/4" WASHER STAR EXTERNAL	
14	262133	WASHER LOCK M6	
15	102263-002	SHCS, M6 X 1 X 20, FULL, NP	
16	22503116-002	TUBE CAP RH	Right
16	22503116-001	TUBE CAP LH	Left
17	22503057	BACK COVER SHELL FIXED BACK	
20	163343	AXIS FASTENERS	Pair; includes items 2-5
8,11	163340	SHIFT PIECE COVER KIT	Pair
1-6,7A,8-16,18	22500101	BACKREST ASSEMBLY FIXED	
6,7B,18,19	163948	FXD BCK QCK RELEASE PRO	

Note: for Q700 Pro, Stability Module is required for a chair equipped with any Reclining Backrest; see STABILITY MODULE AND BRACKET parts page.

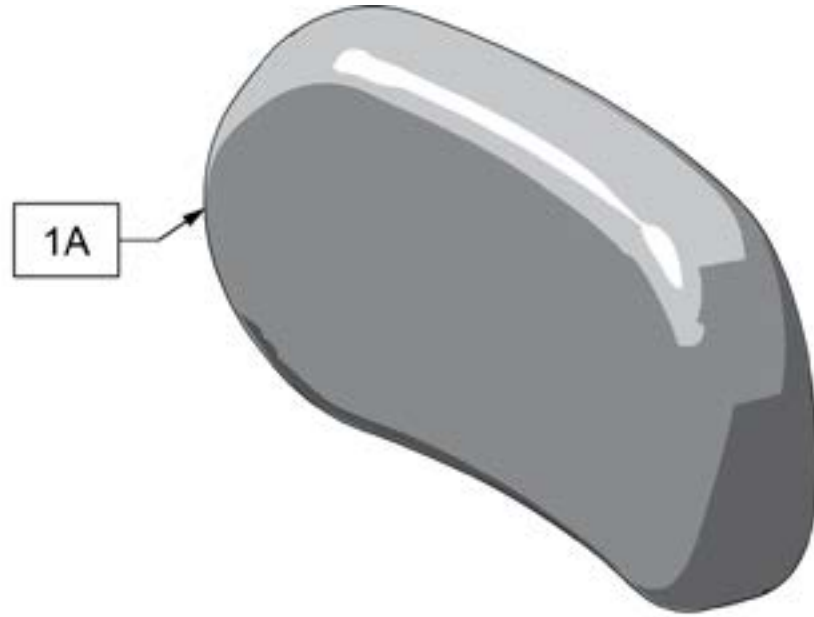
Note: please refer to Wiring section for Wiring Harnesses and Connectors.



Pos.	Item Number	Description	Remarks
2	102263-002	SHCS, M6 X 1 X 20, FULL, NP	
3	261535	1/4" WASHER STAR EXTERNAL	
4	262133	WASHER LOCK M6	
1-4	22500103	BACKREST ANTISHEAR RECLINE	without Actuator
6	000130123	WASHER ISO7093 4.3 ST ZN	
7	000104201	BHCS ISO7380 M4 X 6 A2-70 ZNS NP	
5-13,15	22503020	BACK FRAME ASSY	
14	22502024	SHIFT PIECE	
15	22503116-002	TUBE CAP RH	Right

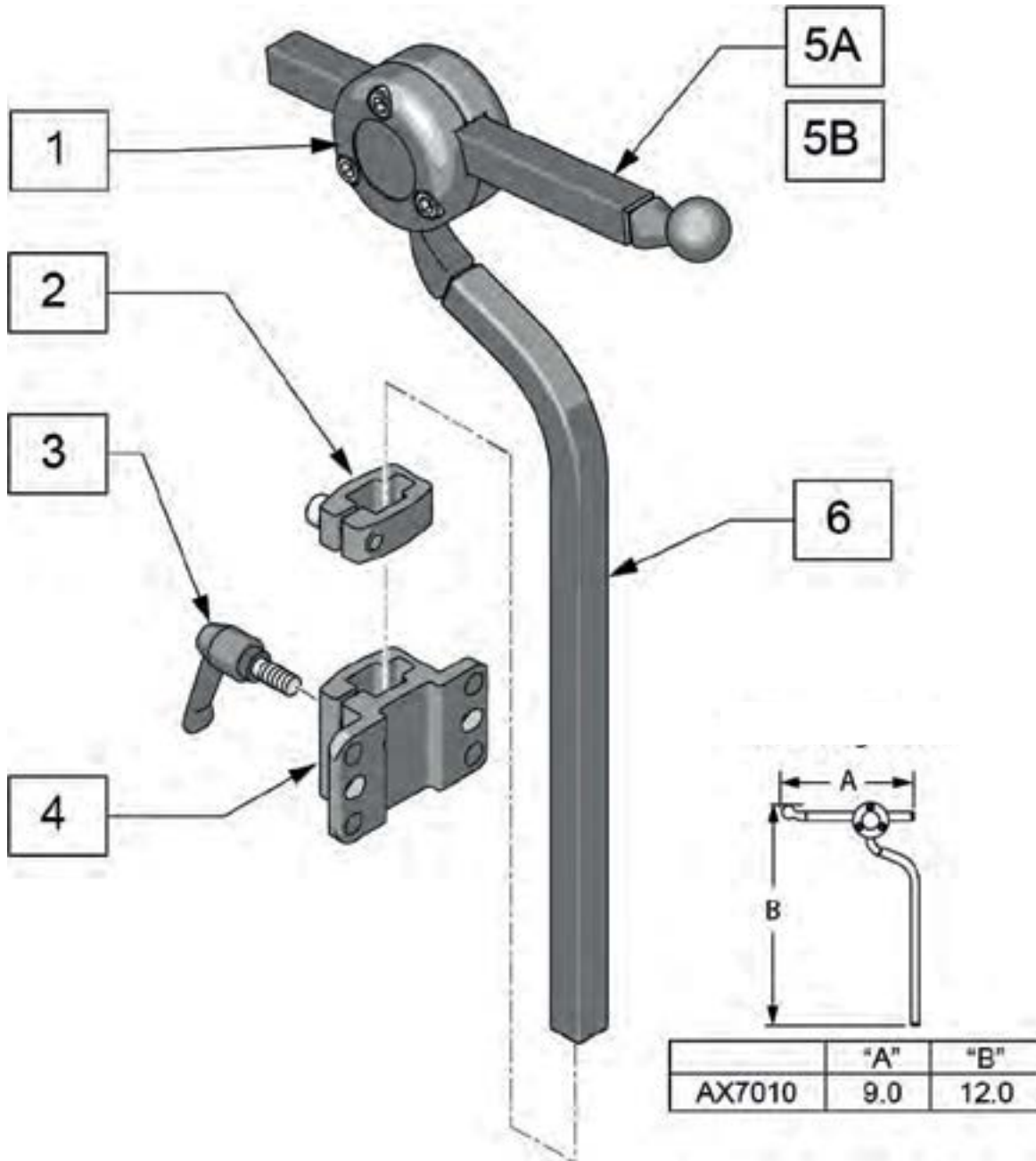
Pos.	Item Number	Description	Remarks
15	22503116-001	TUBE CAP LH	Left
16,17	163341	SHIFT PIECE COVER KIT RECLINE	Pair
18-20,22,23	22503100-002	LINKAGE ASSY RH	Right
18-20,22,23	22503100-001	LINKAGE ASSY LH	Left
21	000282131	BEARING IGUS GFM 1012-05	
12,20,21	163342	BUSHING KIT PRO	
24	22503209	FILLER PART	
25	22503056	BACK COVER SHELL PWR RECLINE	
26	22503000-001	BACKREST ANTI SHEAR WITH ACTUATOR	includes Actuator & Gas Strut
27	163657	SEDEO PRO 60° HOME SWITCH	includes hardware
28	163343	AXIS FASTENERS	Pair; includes items 10-13
32	163668	PRO RECLINE HOME SWITCH HW KIT	

COUSSIN PROFILÉ POUR APPUI-TÊTE



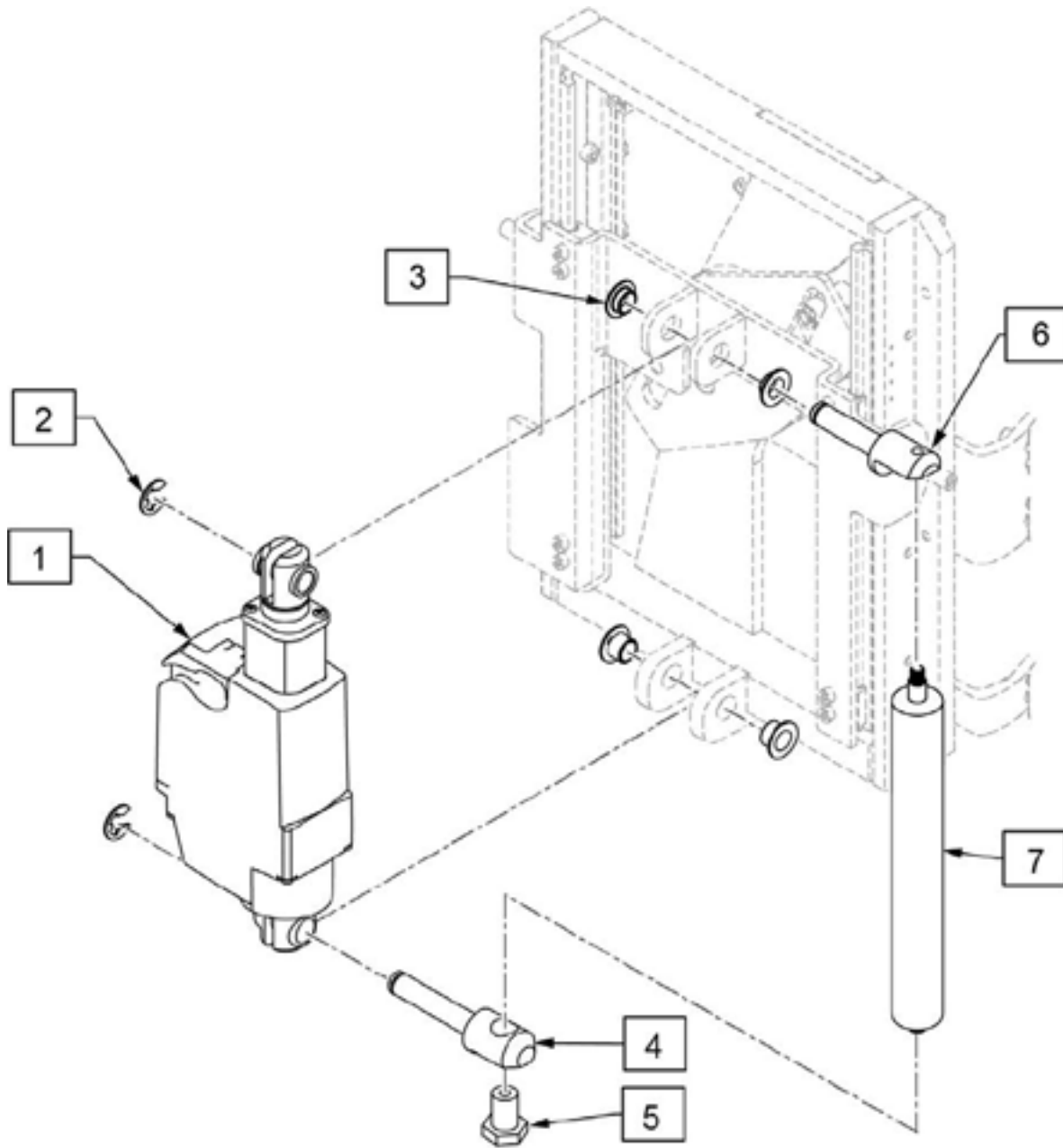
Pos.	No. D'Item	Description	Remarques
1A	P605L	COUSSIN PROFILÉ 6"- CV LYCRA	
1A	P800L	COUSSIN PROFILÉ 8"- CV LYCRA	
1A	P1000L	COUSSIN PROFILÉ 10"-CV LYCRA	

SUPPORT POUR APPUI-TÊTE AXYS

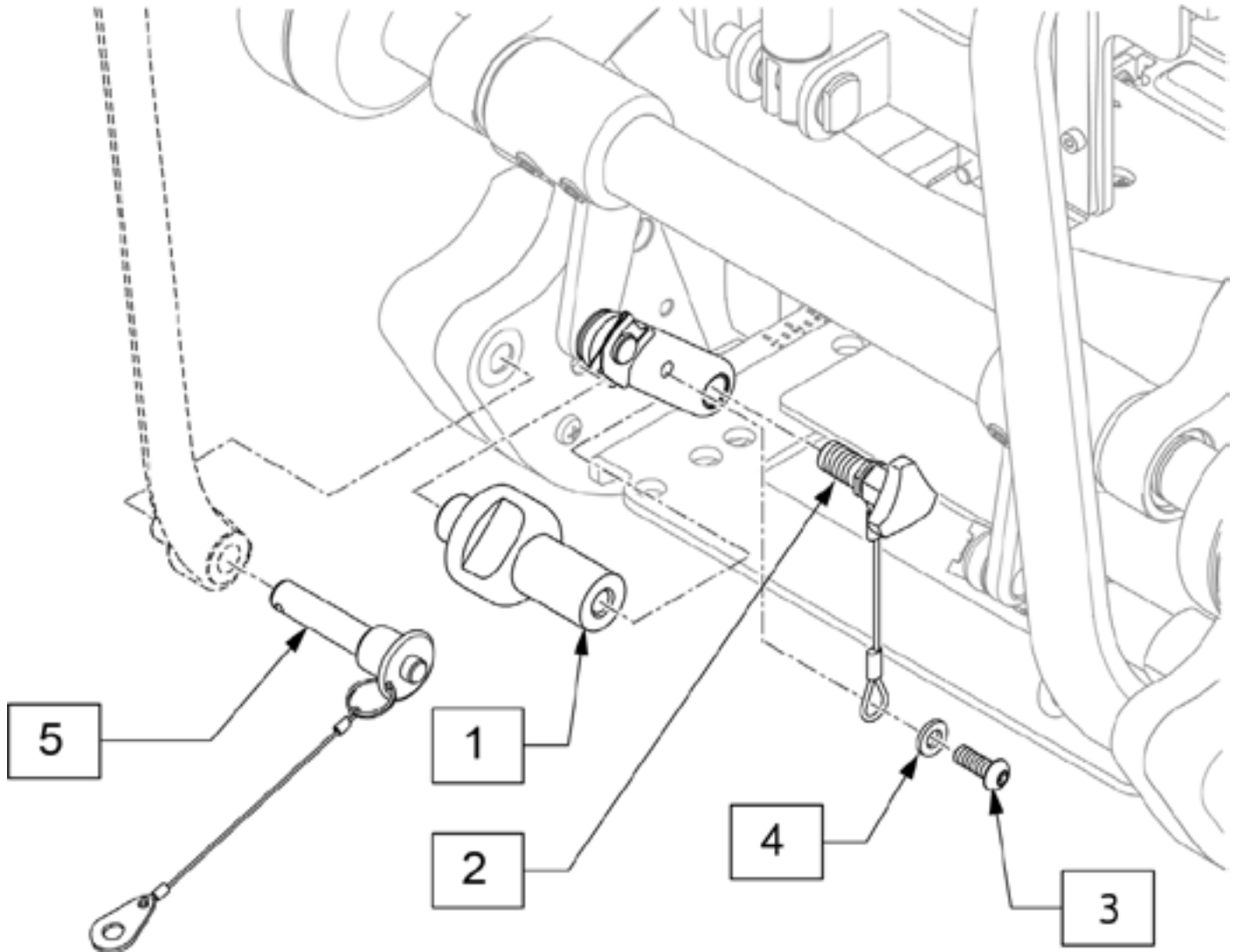


Pos.	No. D'Item	Description
5A	AX5080	BARRE À BILLE HORIZONTALE AXYS 6"
5B	AX6055	BARRE À BILLE HORIZONTALE AXYS 12"
6	MW070300	BARRE VERTICALE AXYS
3,4	115215	KIT D'ATTACHEMENT POUR DOSSIER JAY 3
2-4	M2500	ANCRAGE D'APPUI- TÊTE AXYS (Nécessaire pour monter au dossier)
1,5A,6	AX7010	SUPPORT POUR APPUI-TÊTE AXYS

Note: see Wiring page for correct harness.

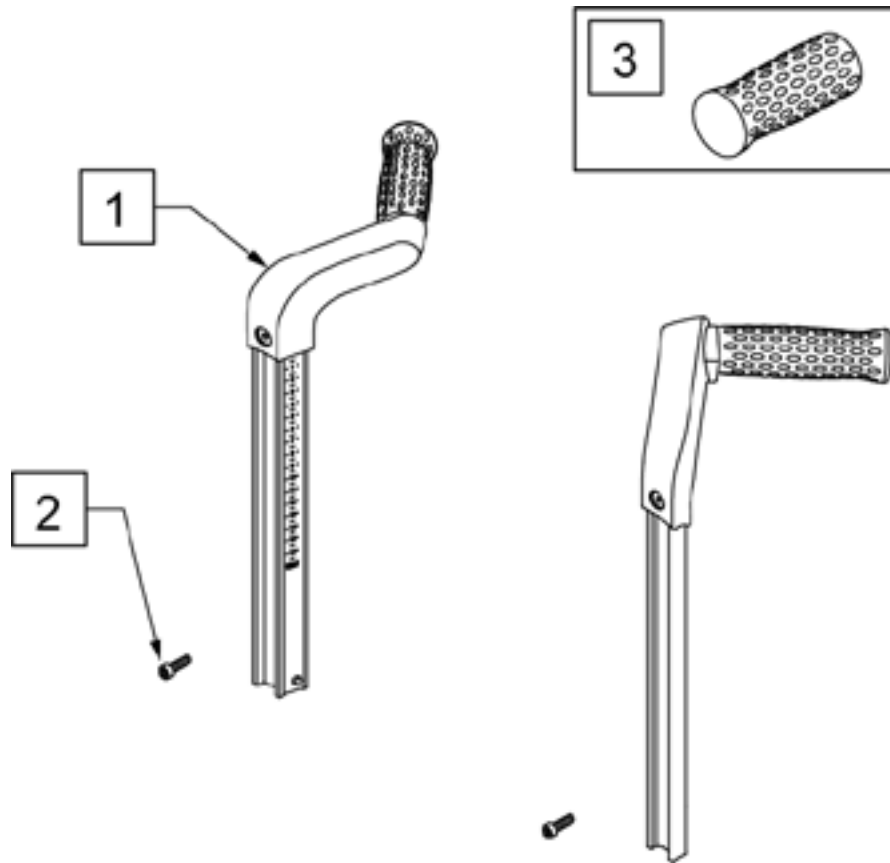


Pos.	Item Number	Description
1	163478	150 DEG BACK ACT W/ INST
2-6	163570	150 DEG BACK ACT FASTENERS
7	163567	GAS PULL SPRING W/INST

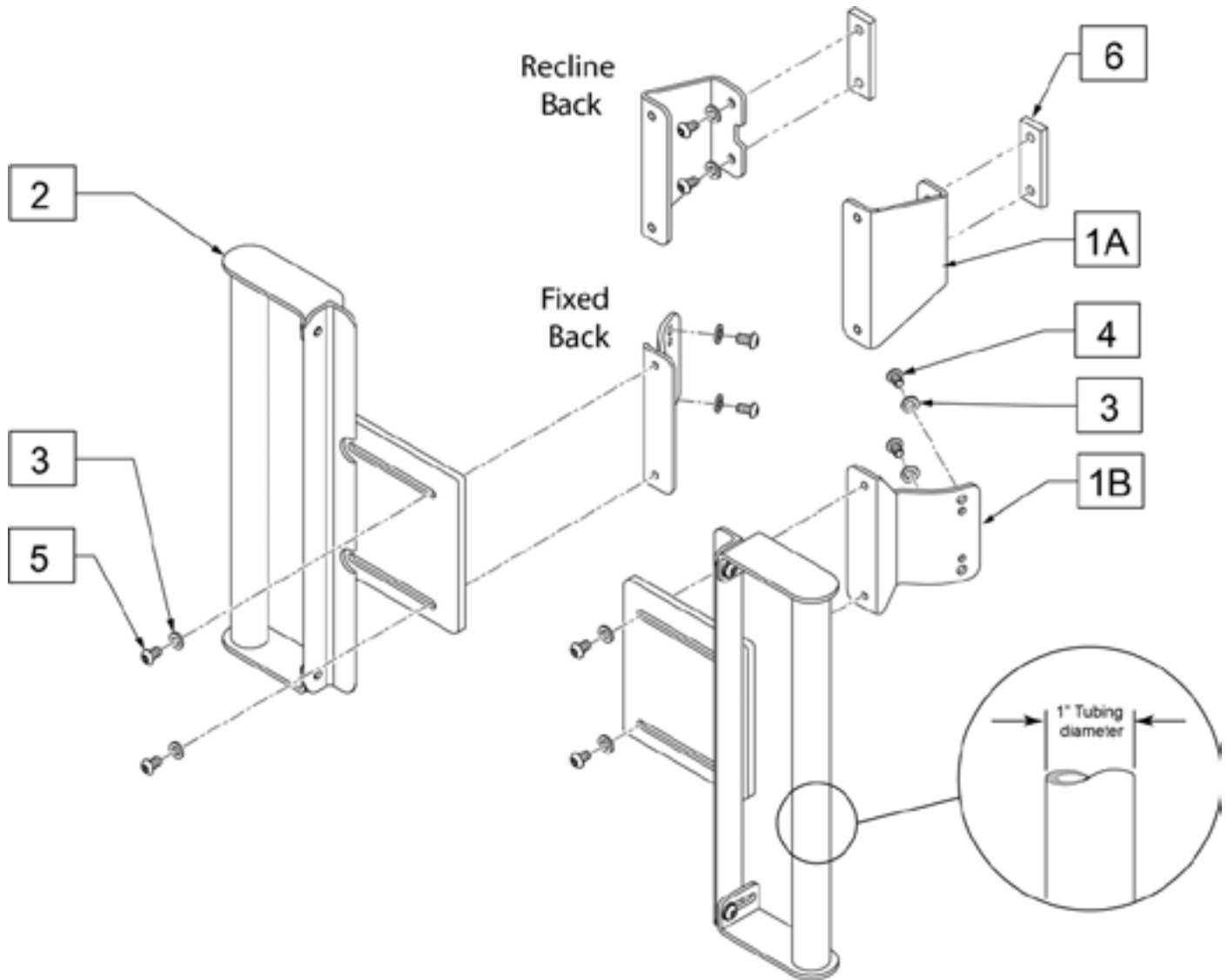


Pos.	Item Number	Description
1	250085	QR ARMREST LEVER SUPPORT
2	250117	THUMB SCREW M10X1.5 ASSY
3	112346	BHCS,M6X1X16,FULL,PL
4	250104	WASHER FLAT M6
5	22503108	MINI QUICK RELEASE AXLE
2-5	163950	RCL BCK QCK RLS HDW KIT
1-5	163949	PWR RCL QCK RELEASE PRO

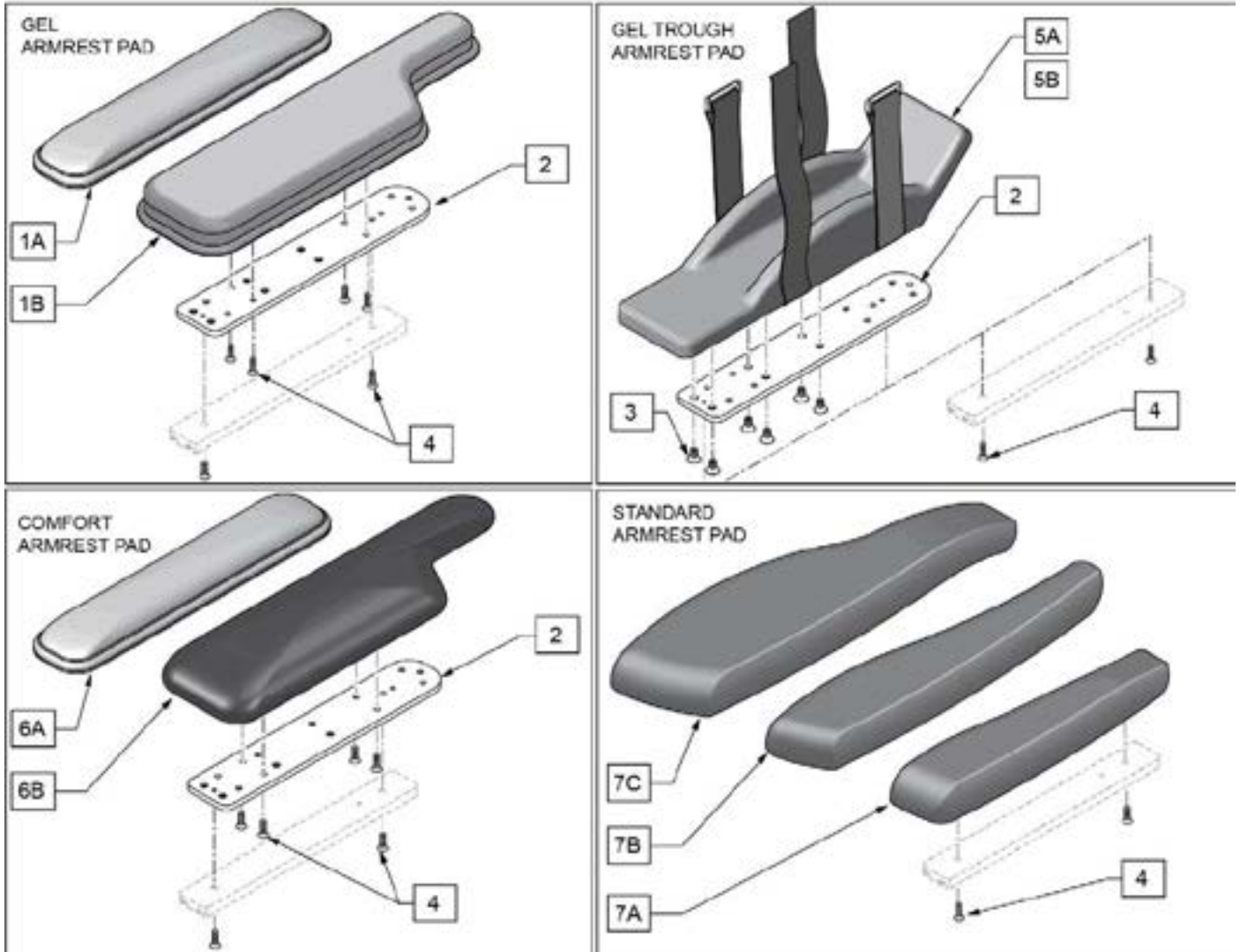
Note: effective 7/15/19 the push handles have a shorter length and should be replaced with complete assemblies.



Pos.	Item Number	Description	Remarks
1-3	163481	PRO PUSHBAR W/INST	Pair
2	102263-002	SHCS, M6 X 1 X 20, FULL, NP	
3	251727	PUSH HANDLE 100MM GRIP	SEE NOTE

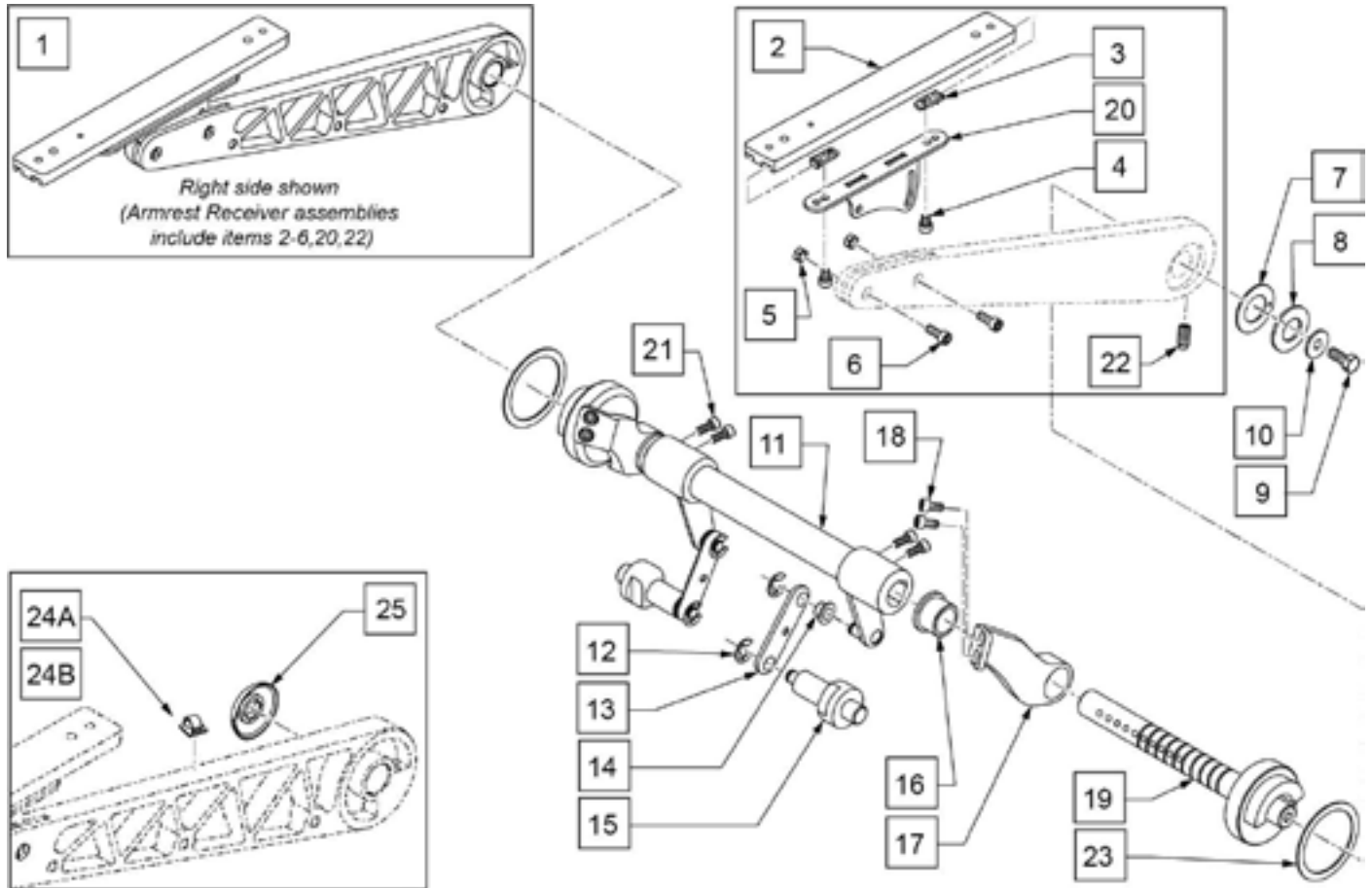


Pos.	Item Number	Description	Remarks
1A	247124	SEDEO PRO AFTER MKT; WIDTH BKT	Each; used with Recline Back
1B	247611	SEDEO PRO AFTER MKT; FRAME BKT	Each; used with Fixed Back
2,3,5	248110	SDO PRO AFTR MKT WELDMENT ASSY	Pair
3	250104	WASHER FLAT M6	
4	013145	BHCS M6 X 1 X 10 BLK	
5	230113	BHCS M6 X 1 X 12	
6	250422	SEDEO BACK SPACER	Each; used with Recline Back
1A-5	247629	SEDEO PRO AFTR MKT POWER ATTCH	Pair; used with Recline Back
1B-5	247630	SEDEO PRO AFTR MKT FRAME ATTCH	Pair; used with Fixed Back



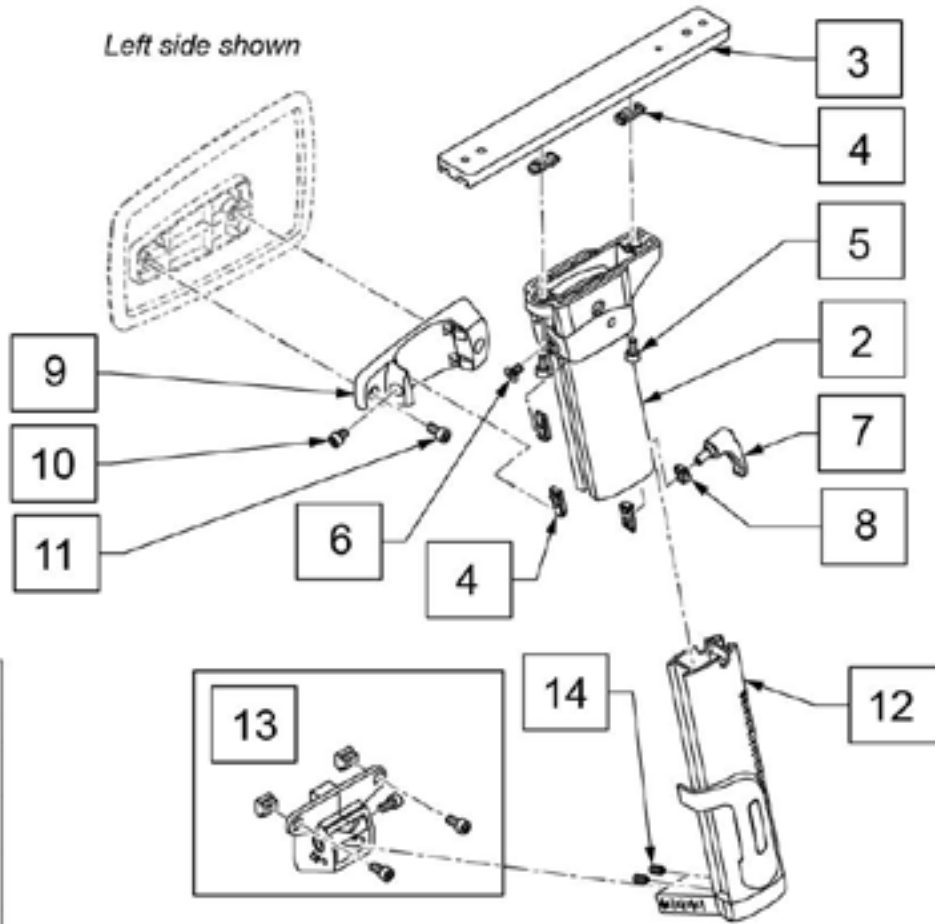
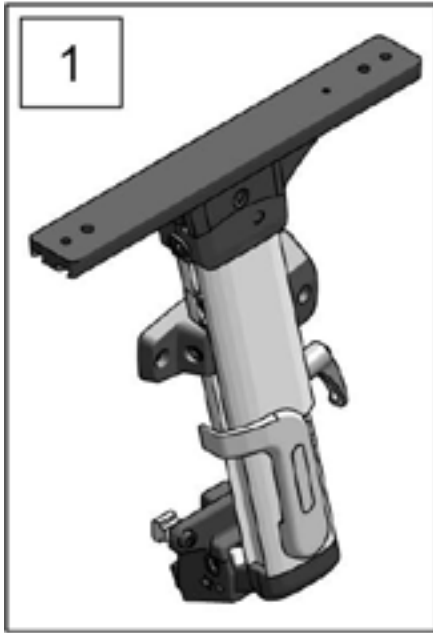
Pos.	Item Number	Description	Remarks
1A,2-4	163345	COMFORT 2" GEL PAD R SE PRO	Right
1A,2-4	163344	COMFORT 2" GEL PAD L SE PRO	Left
1B,2-4	163347	COMFORT 4" GEL PAD R SE PRO	Right
1B,2-4	163346	COMFORT 4" GEL PAD L SE PRO	Left
5A,2-4	163349	GEL TROUGH PAD ASSM MEDIUM R PRO	Right
5A,2-4	163348	GEL TROUGH PAD ASSM MEDIUM L PRO	Left
5B,2-4	163351	GEL TROUGH PAD ASSM LARGE R PRO	Right
5B,2-4	163350	GEL TROUGH PAD ASSM LARGE L PRO	Left
6A,2-4	163353	COMFORT 2" WIDE PAD R SE PRO	Right; Foam
6A,2-4	163352	COMFORT 2" WIDE PAD L SE PRO	Left; Foam
6B,2-4	163355	COMFORT 4" WIDE PAD R SE PRO	Right; Foam
6B,2-4	163354	COMFORT 4" WIDE PAD L SE PRO	Left; Foam
7A,4	163357	SEDEO ARM PAD 30 RH	Right; 300mm/11.8"
7A,4	163356	SEDEO ARM PAD 30 LH	Left; 300mm/11.8"
7B,4	163359	SEDEO ARM PAD 40 RH	Right; 400mm/15.7"
7B,4	163358	SEDEO ARM PAD 40 LH	Left; 400mm/15.7"
7C,4	163361	SEDEO ARM PAD 45 RH	Right; 450mm/17.7"

Pos.	Item Number	Description	Remarks
7C,4	163360	SEDEO ARM PAD 45 LH	Left; 450mm/17.7"
2	248518	PRO AMREST ADAPTER	
3	244762	FHCS 1/4-20 X 1/2"	
4	103499-006	M5X16 8.8 DPS NP	



Pos.	Item Number	Description	Remarks
1	22504020-002	ARMREST RECEIVER ASSY RH	Right
1	22504020-001	ARMREST RECEIVER ASSY LH	Left
2	22504042	ARMPAD PROFILE	
3	9003177	CLAMP NUT PROFILES	
4	000102500-001	SHCS ISO4762 M6X8 8.8 ZFCB NP	
5	000933.0215	NUT M6 NYLOC THIN CHROME/PLATE	
6	102263-001	SHCS, M6X1X16, FULL, NP	
12	000180018-008	CIRCLE CLIP DIN6799 RS8 A2	
20	22504028	ARMREST BRACKET WELDMENT	
21	249272	SHCS M6 X 1.0 X 20 PART THD	
22	22504022	M10 THREAD BOLT	remove for 2-Point Armrest
23	22504023	WASHER	
24A	560794	CABLE HOLDER BLACK W/ADHESIVE	Small; used with 1 cable
24B	341220	BATTERY CABLE CLIP	Large; used with 2 cables
25	22504222-001	ARMREST PIVOT COVER BLACK	1 side
9,10	164254	CANTI ARM HRDW KIT	Kit for both sides
7-10,19	22504110-002	ARMREST RECEIVER ASSY RH	Right
7-10,19	22504110-001	ARMREST RECEIVER ASSY LH	Left
1-23	22504010	RECLINE ARMREST ASSY	Kit for both sides

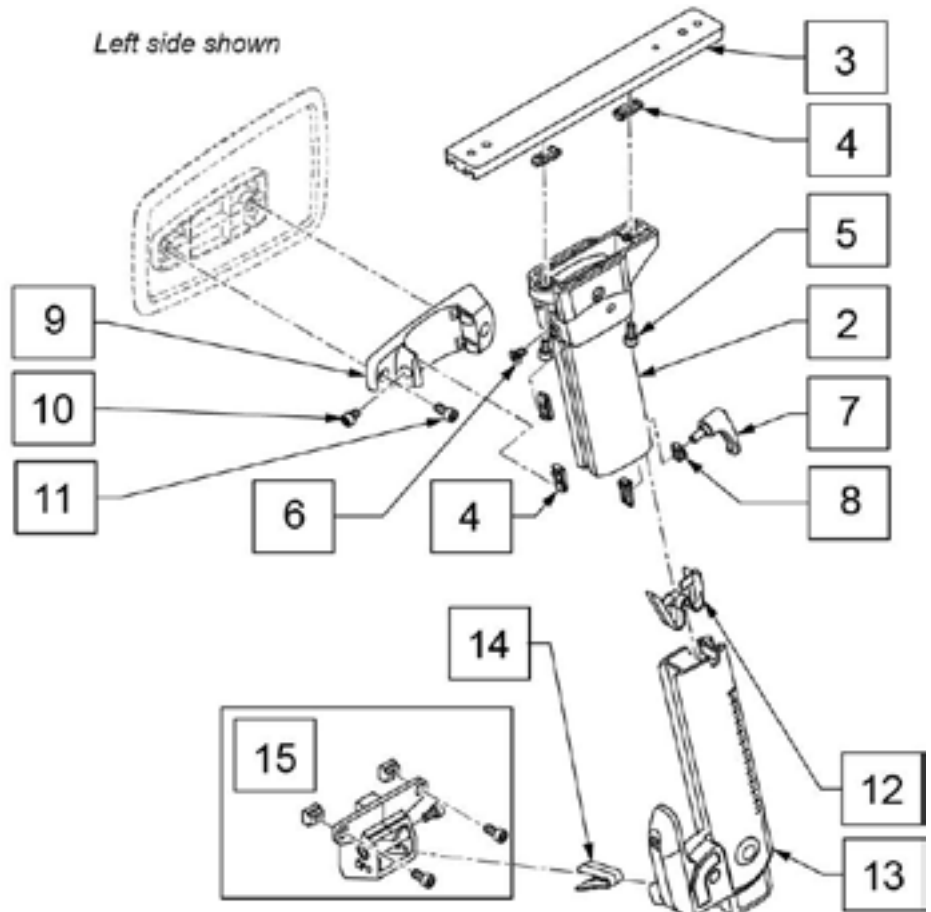
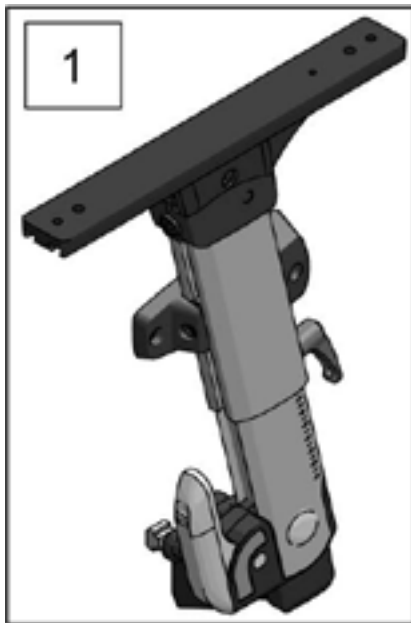
Note: Pro Single Post Removable Armrest requires minimum Seat to Floor Height of 18.5".



15 HARDWARE KIT			
POS #	ILLUSTRATION	DESCRIPTION	QTY
4		CLAMP NUT PROFILES	4
5		SHCS ISO4762 M6X12 8.8 DPS NP	2
6		FINCS ISO10642 M6X10 10.9 DPS PL	1
10		SHCS ISO4762 M6X8 8.8 ZFCB NP	2

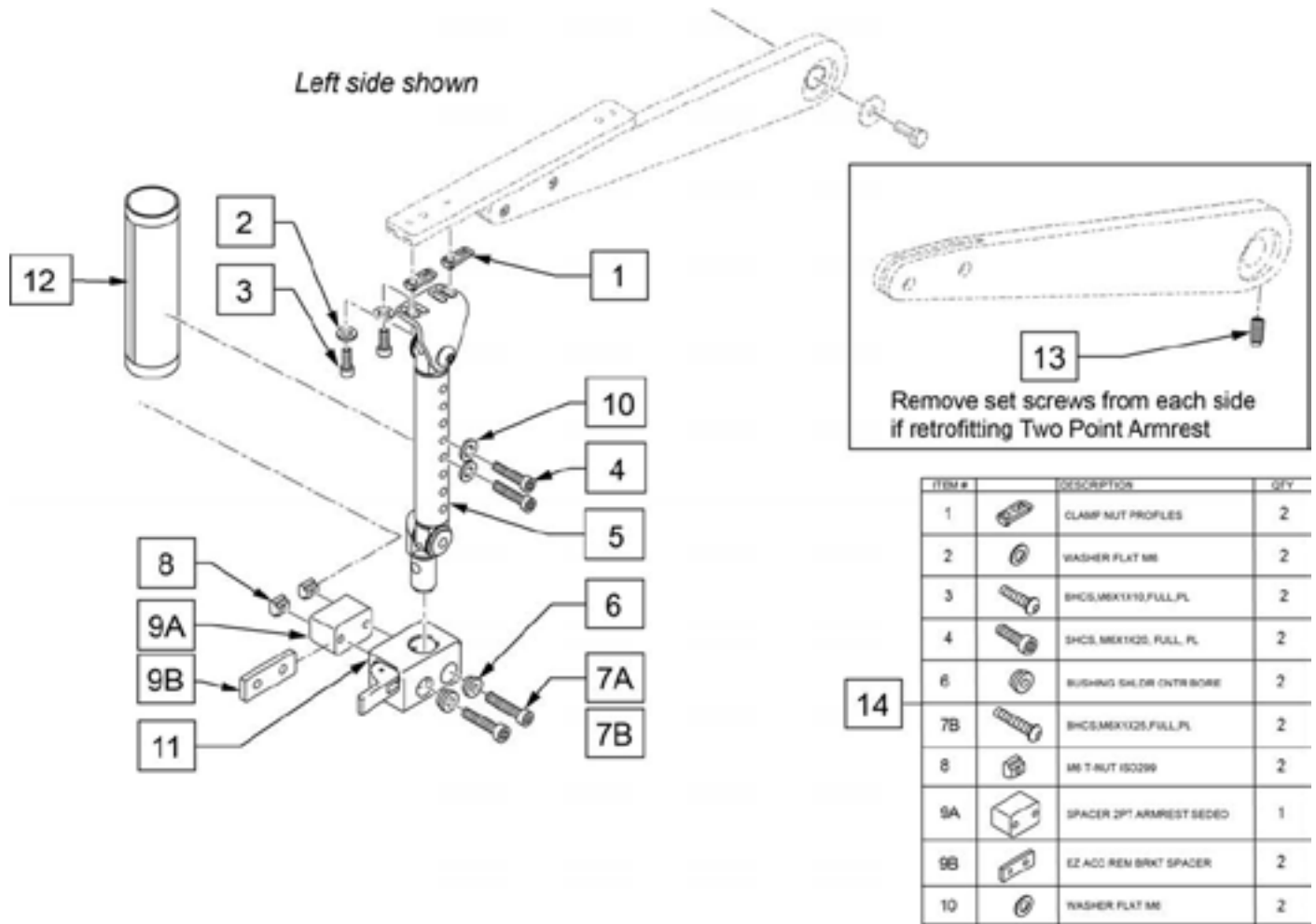
Pos.	Item Number	Description	Remarks
1	163362	COMPLETE SPHA ARMREST RH	
1	163363	COMPLETE SPHA ARMREST LH	
3	22504042	ARMPAD PROFILE	
4,7,8	163364	HANDLE KIT	
4,9,10	9003227	SIDE CUSHION ATTACHMENT RIGHT	Right
4,9,10	9003245	SIDE CUSHION ATTACHMENT LEFT	Left
2-11	22504214-002	ARMREST UPPER ASSY RH	Right
2-11	22504214-001	ARMREST UPPER ASSY LH	Left
12	22504206-002	REMOVABLE LOWER ASSY RH	Right
12	22504206-001	REMOVABLE LOWER ASSY LH	Left
13	22504025	ARMREST RECEIVER	
14	131304	SET SCREW M6X8 CUP TIP W/PATCH	
15	163365	HARDWARE KIT	

Note: Pro Fixed Back Flip-Back Armrest requires minimum Seat to Floor Height of 18.5".



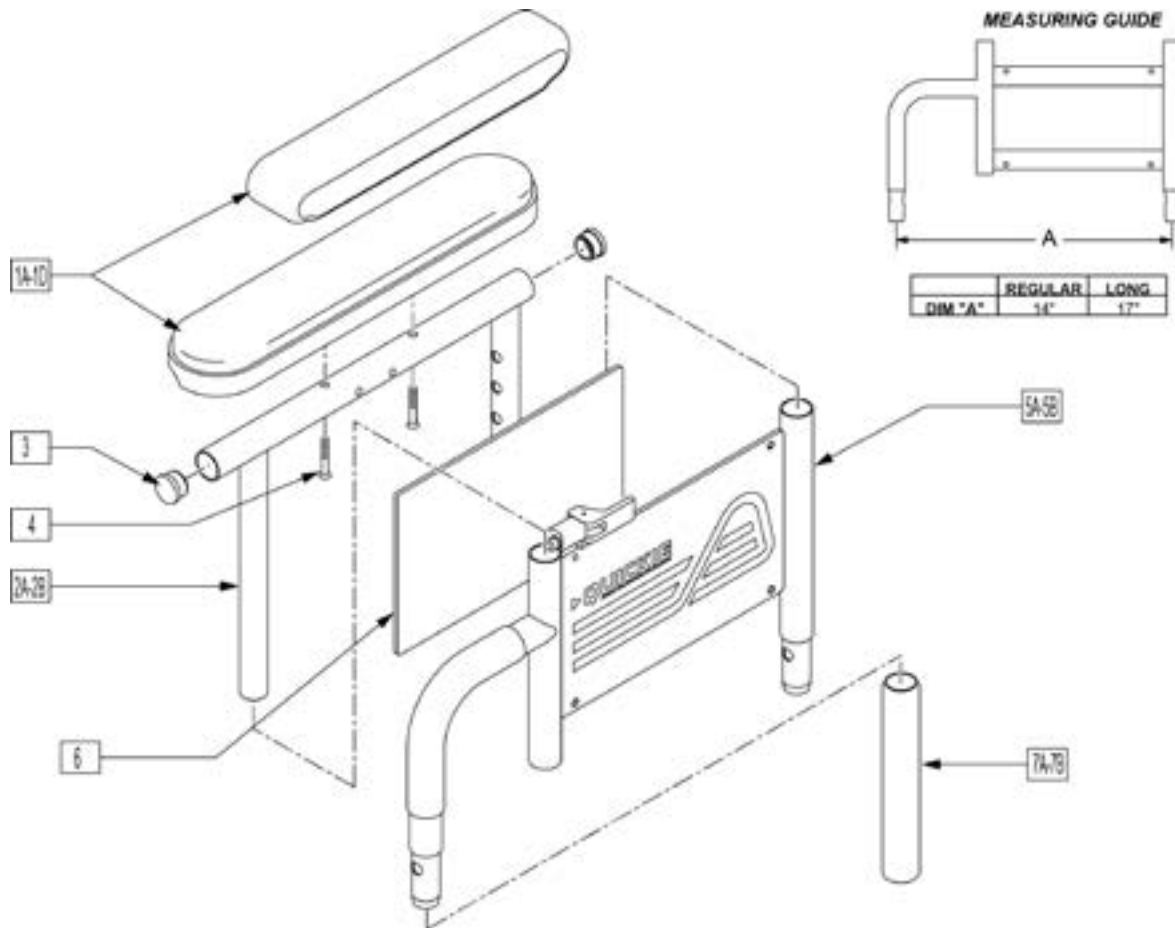
16 HARDWARE KIT			
POS #	ILLUSTRATION	DESCRIPTION	QTY
4		CLAMP NUT PROFILES	4
5		SHCS ISO4762 M5X8 8.8 DPS NP	2
6		FHCS ISO10642 M6X10 10.9 DPS PL	1
10		SHCS ISO4762 M5X8 8.8 ZFCB NP	2

Pos.	Item Number	Description	Remarks
1	163366	COMPLETE FB SPHA ARMREST RH	
1	163367	COMPLETE FB SPHA ARMREST LH	
3	22504042	ARMPAD PROFILE	
4,7,8	163364	HANDLE KIT	
4,9,10	9003227	SIDE CUSHION ATTACHMENT RIGHT	Right
4,9,10	9003245	SIDE CUSHION ATTACHMENT LEFT	Left
2-11	22504214-002	ARMREST UPPER ASSY RIGHT	Right
2-11	22504214-001	ARMREST UPPER ASSY LEFT	Left
12	9003357	SAFETY CLIP ARMREST HEIGHT	
13	22504205-002	FLIP UP LOWER ASSY RH	Right
13	22504205-001	FLIP UP LOWER ASSY LH	Left
14	9003601	SAFETY CLIP ARMREST WIDTH	
15	22504025	ARMREST RECEIVER	
16	163365	HARDWARE KIT	



Pos.	Item Number	Description	Remarks
5	247164	2 PT ASSY PRO	
7A	104399	SHCS M6X1X45 12 MM PART THD	19" & above Armrest width
7B	102263-003	SHCS, M6 X 1 X 25, FULL, PL	19" & below Armrest width
9A	247946	SPACER 2PT ARMREST SEDEO	19" & above Armrest width
9B	132961	EZ ACC REM BRKT SPACER	19" & below Armrest width
11	506366	UNIVRSL ARMRST RCVR ASSM RH	Right
11	506367	UNIVRSL ARMRST RCVR ASSM LH	Left
12	247853	COVER SHORT 2 POINT ARMREST	
13	22504022	M10 THREAD BOLT	remove for 2-Point Armrest
14	163368	PRO 2-PNT LOCKING ARMRST HDWR	For 1 side
1-11	247167	SNGL PST W/ SEAT MNT RH PRO	Right
1-11	247172	SNGL PST W/ SEAT MNT LH PRO	Left

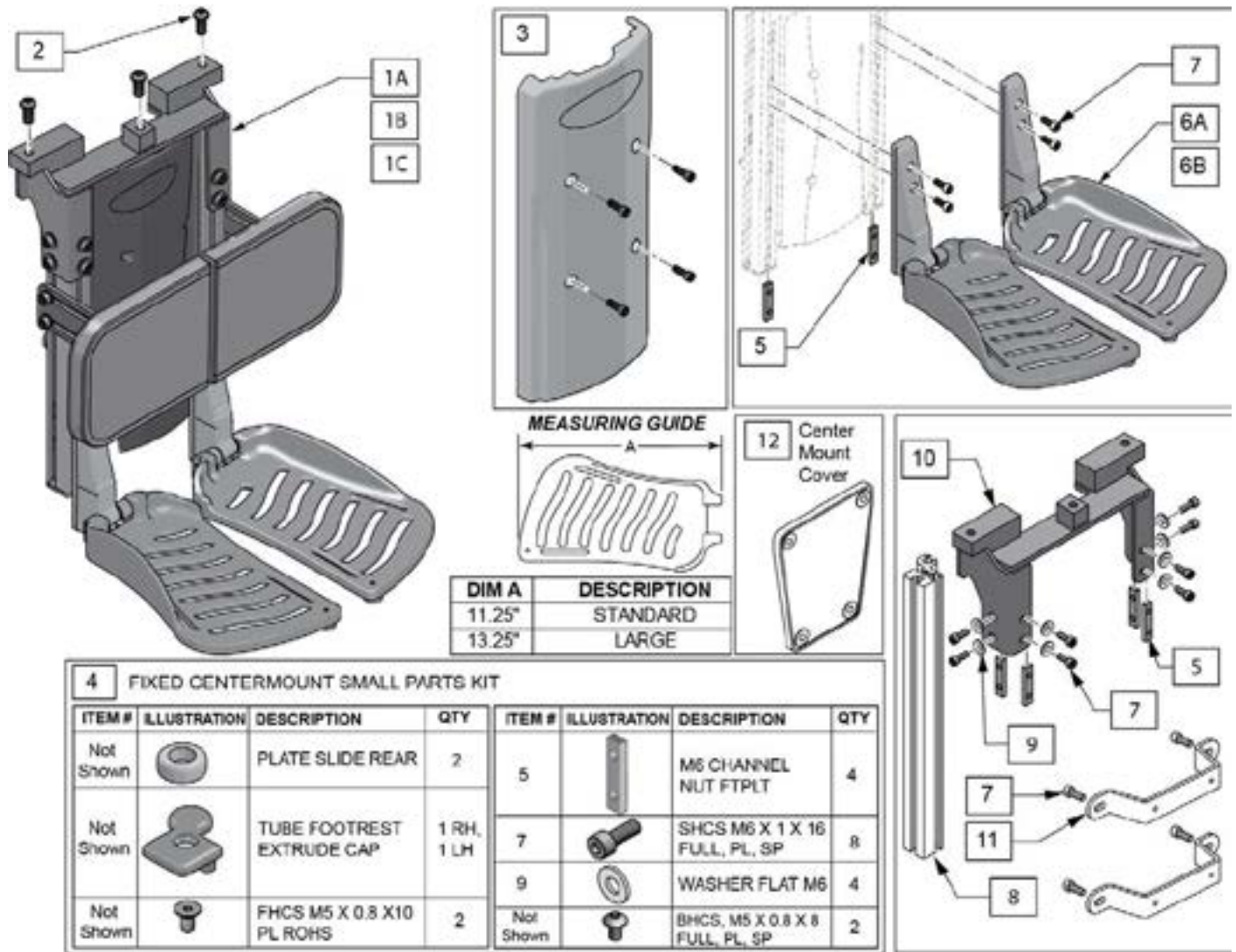
DUAL POST HEIGHT ADJUSTABLE FLIP-BACK ARMREST



Pos.	Item Number	Description	Remarks
1A	561280	ARMREST PAD 10" LEFT W/F	Left,Desk,Waterfall
1A	561281	ARMREST PAD 10" RIGHT W/F	Right,Desk,Waterfall
1B	561284	ARMREST PAD 14" LEFT W/F	Left,Full,Waterfall
1B	561285	ARMREST PAD 14" RIGHT W/F	Right,Full,Waterfall
1C	561024	ARMREST PAD 10" DESK	Desk Pad
1D	561031	ARMREST PAD 14" FULL	Full Pad
2A	521841	DUAL PST ADJ UPPR ARM DESK PW	Desk
2B	521843	DUAL PST ADJ UPPR ARM FULL PW	Full
3	560735	7/8" ROUND TUBE PLUG	
4	226038	10-32 x 1 3/8 BH C/S BLK	
5A	881556	ARM ASSM LOWER HT ADJ REG R	Right, Regular
5A	881557	ARM ASSM LOWER HT ADJ REG L	Left, Regular
5B	881558	DUAL POST ADJ LOWER ARM LONG R	Right, Long
5B	881559	DUAL POST ADJ LOWER ARM LONG L	Left, Long
6	750009	INSIDE ARMREST PAD (P-222/S-626)	
7A	560514	FOAM 8" x .840 TUBE Regular	
7B	560614	11" x .840 FOAM TUBE Long	
1C,2A,3,4	881446	DUALPOST UHA AREST RH INC DESK	
1C,2A,3,4	881447	DUALPOST UHA AREST LH INC DESK	
1D,2A,3,4	881448	DUALPOST UHA AREST RH INC FULL	
1D,2A,3,4	881449	DUALPOST UHA AREST LH INC FULL	
1A,2A,3,4	881240	D-POST UPPR L ARM ASSM DSK W/F	
1A,2A,3,4	881241	D-POST UPPR R ARM ASSM DSK W/F	

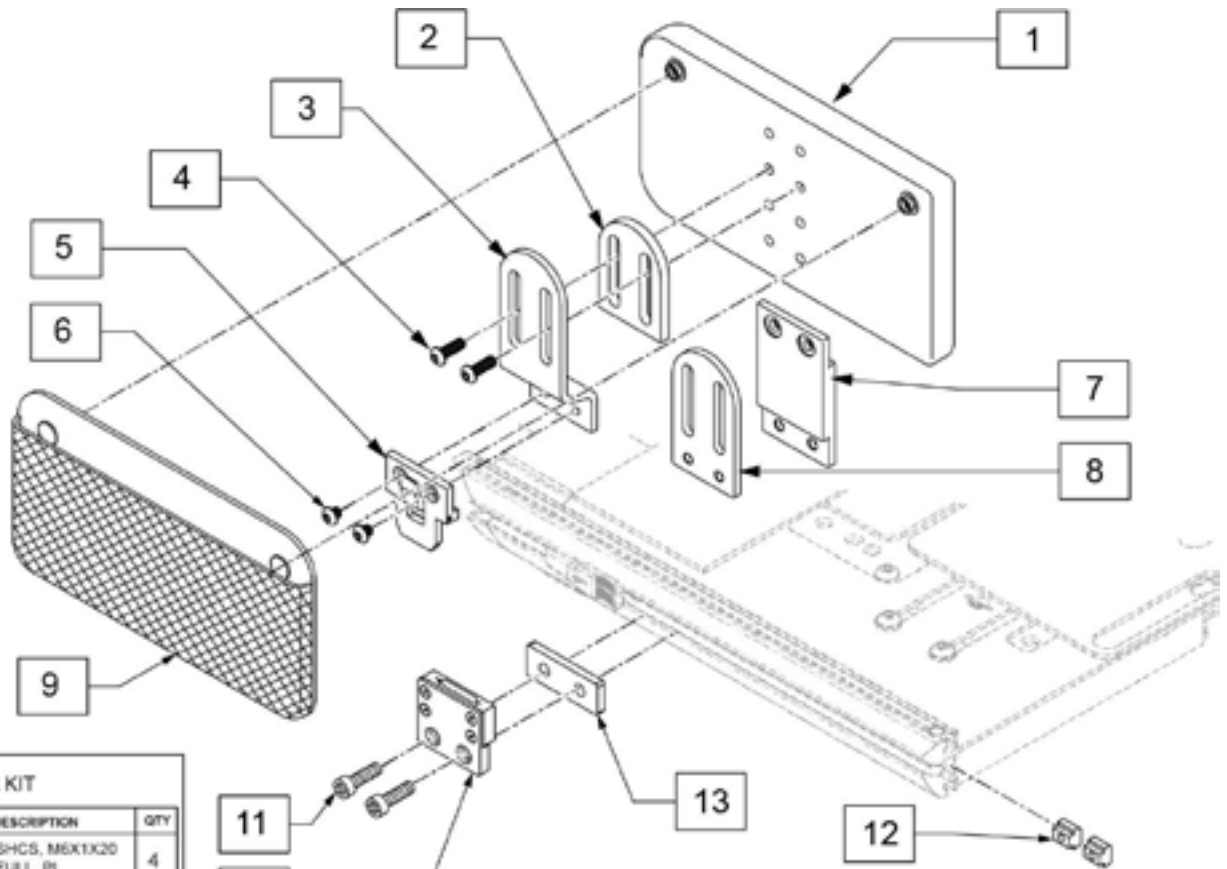
Pos.	Item Number	Description	Remarks
1B,2B,3,4	881242	D-POST UPPR L ARM ASSM FL W/F	
1B,2B,3,4	881243	D-POST UPPR R ARM ASSM FL W/F	
1A,2A,3,4,5A,6	881308	D-POST SHT L W/DSK W/F PAD	
1A,2A,3,4,5A,6	881309	D-POST SHT R W/DSK W/F PAD	
1B,2B,3,4,5A,6	881310	D-POST SHT L W/FL W/F PAD	
1B,2B,3,4,5A,6	881311	D-POST SHT R W/FL W/F PAD	
1A,2A,3,4,5B,6	881312	D-PST LNG ADJ L W/DSK W/F PAD	
1A,2A,3,4,5B,6	881313	D-PST LNG ADJ R W/DSK W/F PAD	
1B,2B,3,4,5B,6	881314	D-POST LNG ADJ L W/FL W/F PAD	
1B,2B,3,4,5B,6	881315	D-POST LNG ADJ R W/FL W/F PAD	
1C,2A,3,4,5A,6	881572	DUAL POST ADJ SHT W/DSK R PWR	
1C,2A,3,4,5A,6	881573	DUAL POST ADJ SHT W/DSK L PWR	
1D,2B,3,4,5B,6	881574	DUAL POST ADJ LONG W/FL R PWR	
1D,2B,3,4,5B,6	881575	DUAL POST ADJ LONG W/FL L PWR	
1C,2A,3,4,5B,6	881576	DUAL POST ADJ LONG W/DSK R PWR	
1C,2A,3,4,5B,6	881577	DUAL POST ADJ LONG W/DSK L PWR	
1D,2B,3,4,5A,6	881578	DUAL POST ADJ SHT W/FL R PWR	
1D,2B,3,4,5A,6	881579	DUAL POST ADJ SHT W/FL L PWR	

Note: optional Calf Pads sold separately; see PRO SWING AWAY CALF PADS & KNEE PAD parts page.



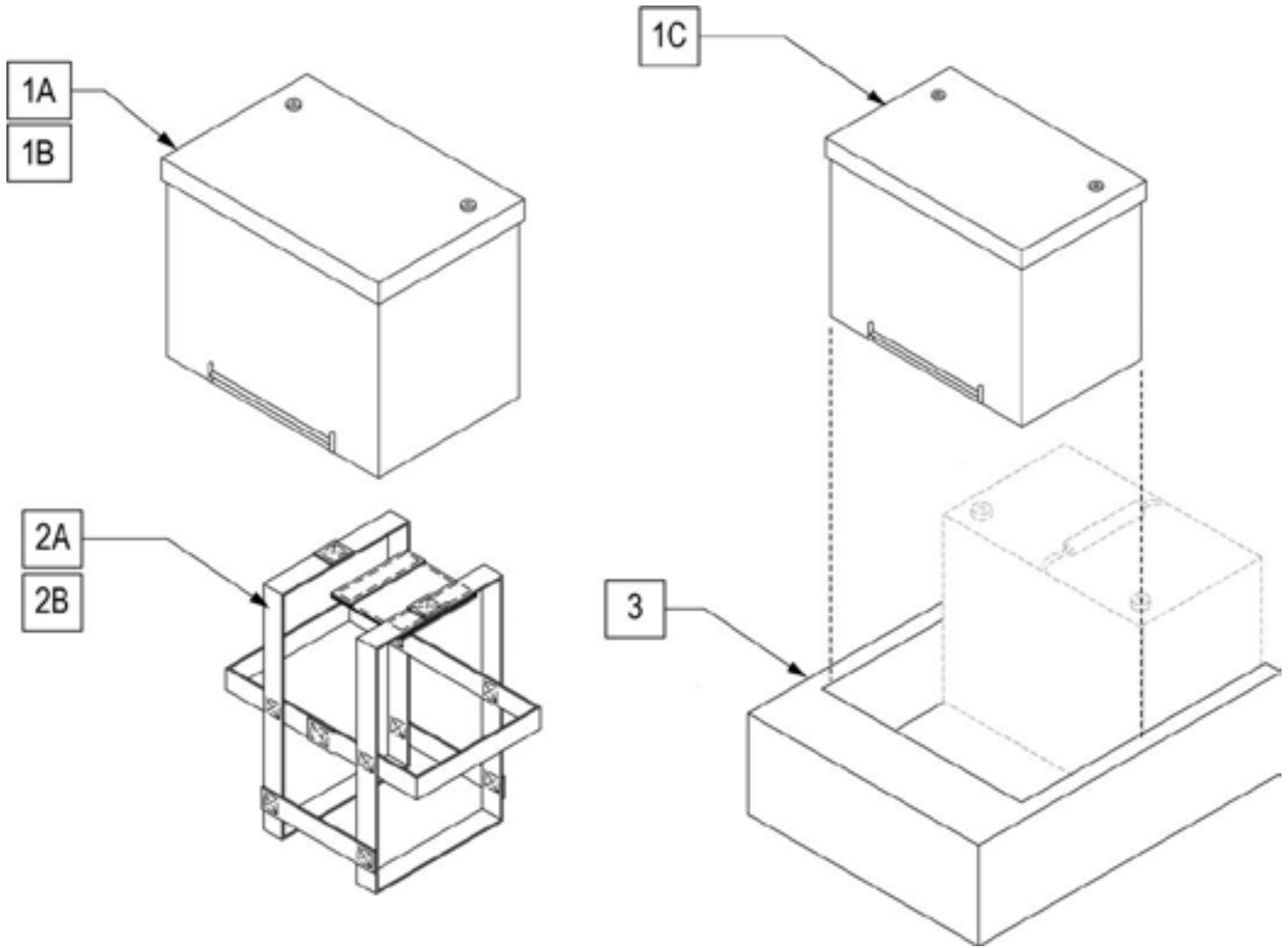
Pos.	Item Number	Description	Remarks
1A,2	163453	FCM PRO MECH STD FT STD PAD	Standard Foot w/ Standard Pad
1B,2	163454	FCM PRO MECH LRG FT STD PAD	Large Foot w/ Standard Pad
1C,2	163455	FCM PRO MECH LRG FT LRG PAD	Large Foot w/ Large Pad
2	013149	BHCS M8 x 16	
3	136475	PCM SHROUD KIT	W/ Fasteners
4	136489	FXD CNTRMNT SMALL PRTS KIT	
7	104522	SHCS, M6X1X16, FULL, PL	
5,6A,7	163193	FOOTPLATE KIT STD PCM PAIR	Standard; Pair
5,6B,7	163194	FOOTPLATE KIT LRG PCM PAIR	Large; Pair
8	130320	TUBE FOOTREST	single tube fits left or right
9	132180	WASHER FLAT 7MM ROHS, SP	
10	132633	WLDMNT UPR FIXED CM	
11	130420	BRKT SHRD CNTRMNT	
12	132611	POWER CENTER MOUNT COVER SE	

Note: Sedeo Ergo seat shown; used on Ergo and Pro Seating.

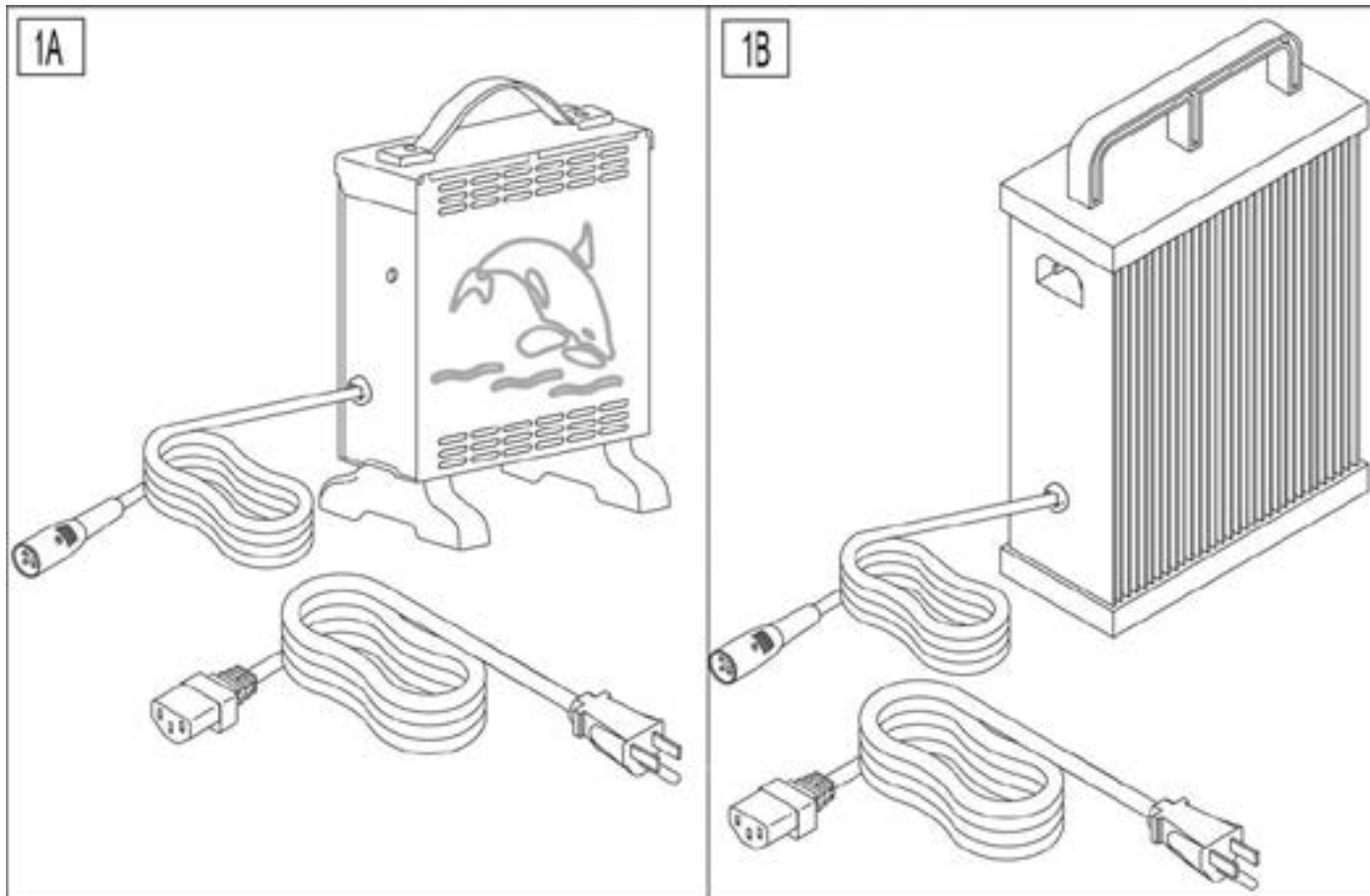


14 FASTENER KIT			
ITEM #	ILLUSTRATION	DESCRIPTION	QTY
11		SHCS, M6X1X20 FULL, PL	4
12		M6 T-NUT ISO299	4
13		EZ ACC REM BRKT SPACER	2

Pos.	Item Number	Description	Remarks
9	PMB1099	PELVIC MESH BAG	
1,4,7,9	107313	HIP GUIDE PAD 5X10 REPL KIT R	Right
1,4,7,9	164180	HIP GUIDE PAD 5X10 REPL KIT L	Left
12	132688	M6 T-NUT ISO299	
1-13	161150	HIP GUIDE ASSY RH 5X10 ERGO	Right
1-13	161149	HIP GUIDE ASSY LH 5X10 ERGO	Left
14	161151	HIP GUIDE FASTENERS ERGO	2 sides; kit includes items 11-13

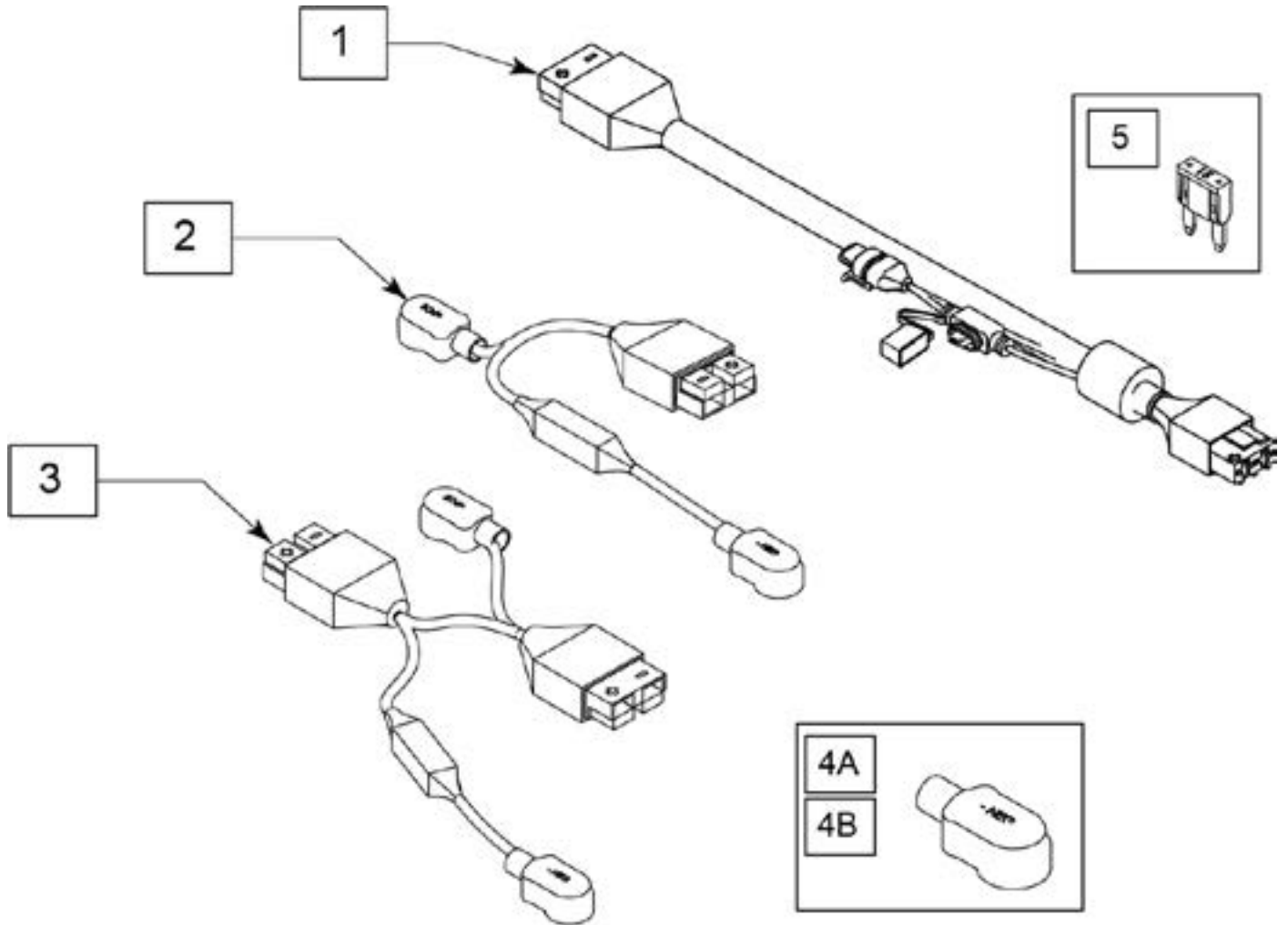


Pos.	Item Number	Description	Remarks
1A	122462	GRP 34 FEMALE TERMINAL	MK, GEL
1B	244628	BRIGHT WAY GROUP 34 BATTERY	AGM
1C	244624	BRIGHTWAY GROUP 22 BATTERY	GROUP 22
2A	740141	BATTERY STRAP GROUP 24	USED W/ GROUP 24- Q500M MIX IE ONLY
2B	740140	BATTERY STRAP GROUP 22	USED W/ GROUP 22 ONLY- Q500M I ONLY
3	108106	SPACER BATTERY 2 GRP22	USED W/ GROUP 22 ONLY- Q500M I ONLY




WARNING: Battery chargers are only intended to charge 24V, Group 22, Group 24, and Group 34 Lead Acid or Gel style batteries

Pos.	Item Number	Description	Remarks
1A	131386	CHRGR OFF BRD 8A CTE W/CHKE	E2367- Standard with most Power Chairs
1B	247580	CHRGR OFF BRD 10A	Use for Group 24 and 34 batteries ONLY



Pos.	Item Number	Description	Remarks
1-3	164136	BATTERY HARN 100A KIT	
4A	247543	HARNESS BOOT POS	Red
4B	247544	HARNESS BOOT NEG	Black
5	249005	15A MINI FUSE	

R-NET BUS HARNESS




1A Dist Block to ISM or Dist Block to Bluetooth mounted on Seat

1B Non-expandable Rnet Bus Ext to ISM with Legrests only, or Rnet Bus Ext to Dist Block without Tilt/Lift combo, or Dist Block to Omni or Output Module with Power Recline

1C Controller Joystick Port to Bluetooth, or Dist Block or Bluetooth to Output Module without Power Recline, or Controller Joystick Port to ISM in Base

1D Distribution Block to Attendant Control, or Rnet Ext to Dist Block with Tilt/Lift combo

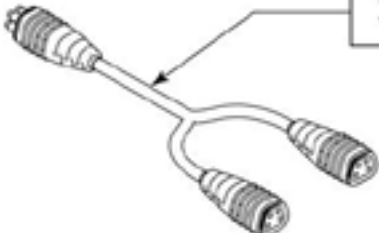
R-NET BUS EXTENSION



2A Controller Joystick Port or ISM in Base or Bluetooth in Base to Rnet Ext without Tilt or with Tilt/Lift combo

2B

R-NET BUS SPLITTER

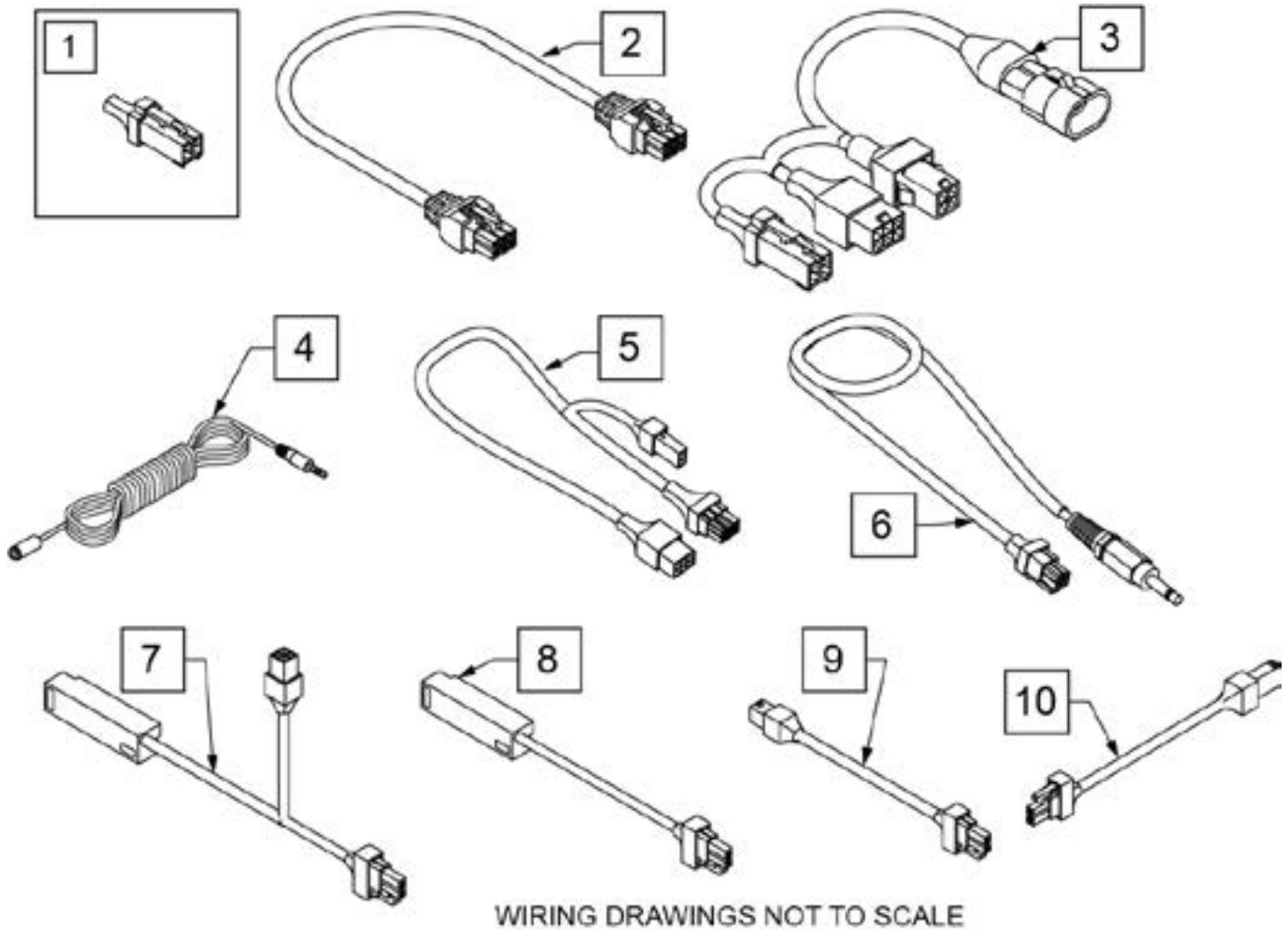


3 Used with CTRL+S with Joystick, Omni, and Attendant

WIRING DRAWINGS NOT TO SCALE

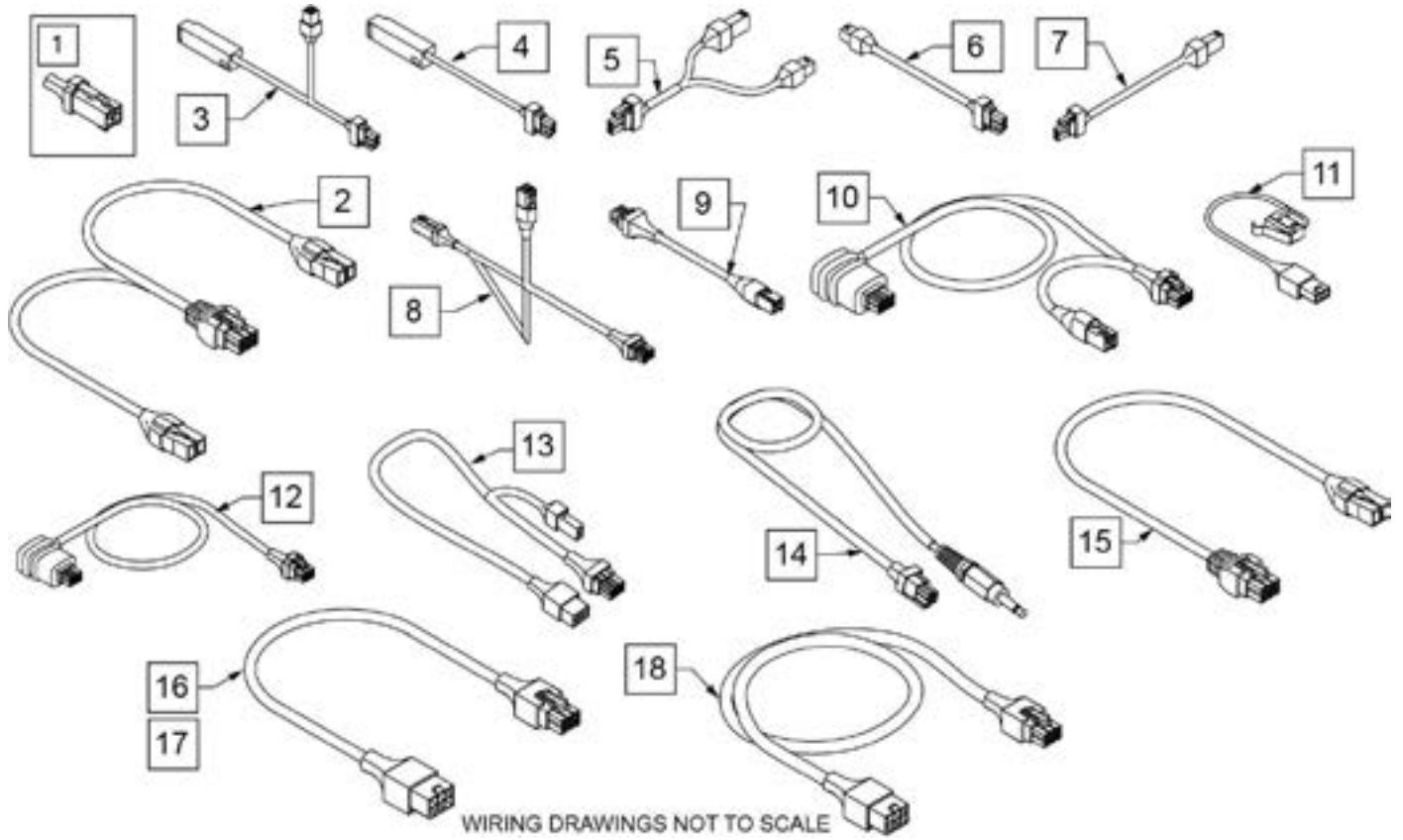
Pos.	Item Number	Description
1A	108316-050	R-NET BUS HARNESS - 500mm - 19.5"
1B	108316-120	R-NET BUS HARNESS - 1200mm - 47"
1C	108316-030	R-NET BUS HARNESS - 300mm - 12"
1D	108316-100	R-NET BUS HARNESS - 1000mm - 40"
2A	108557-100	R-NET BUS EXTENSION - 1000mm - 40"
2B	108557-050	HARNESS RNET BUS EXT 500mm
3	130803	HARN, RNET BUS SPLITTER

Note: for mounting hardware for Gravity Switches (part numbers 248707 and 248710), see DISTRIBUTION BLOCK AND BRACKET parts page.



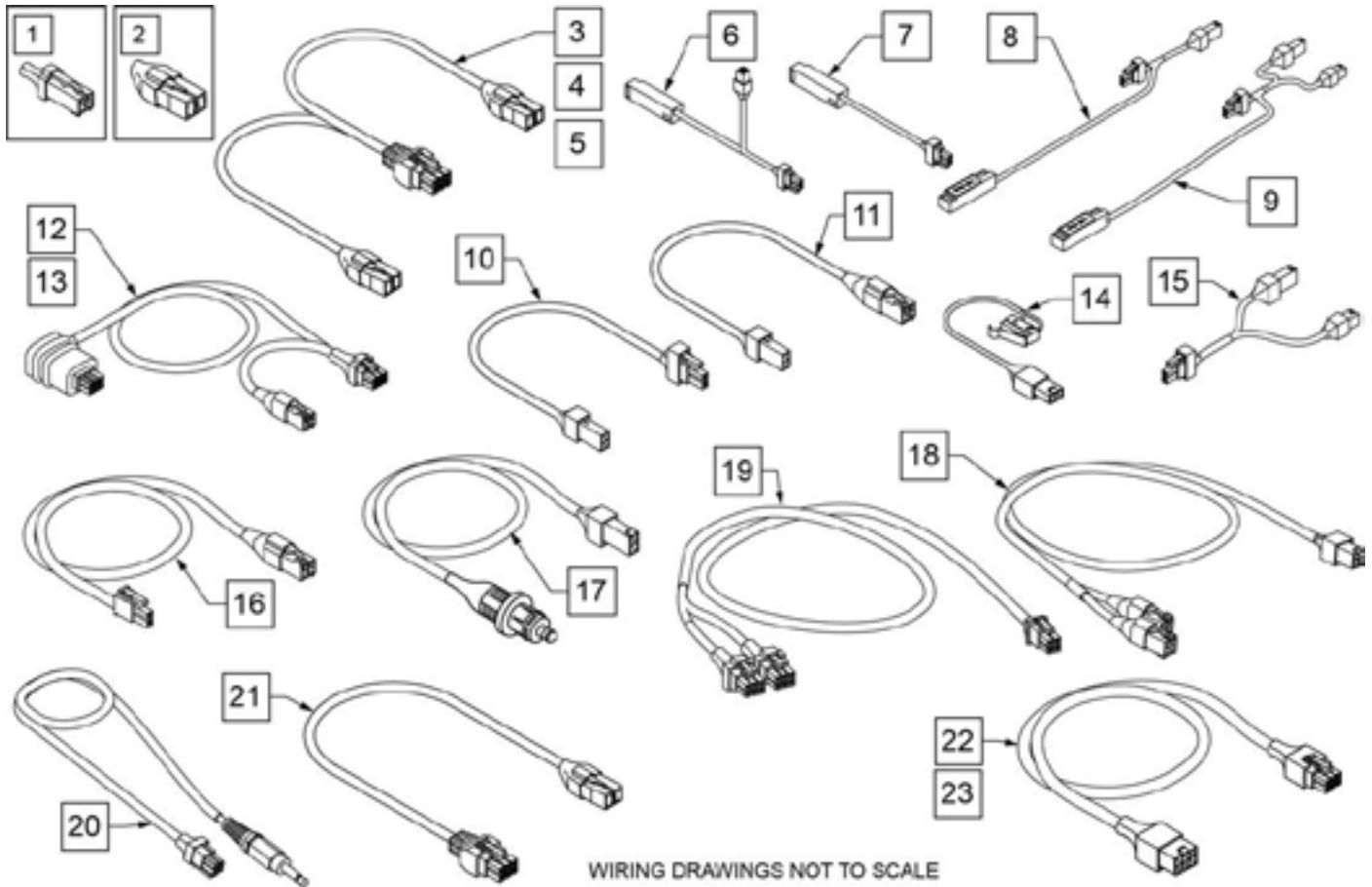
Pos.	Item Number	Description	Remarks
1	248506	HARN, INHIBIT SHORTING PLUG I2	Q500 Pro Drive Only & Thru Drive chairs except w/ Chin Boom
2	020063-070	HARNESS ACTUATOR 700MM DELPHI	Used w/ Switch Control Only for Tilt
3	248505	HARN, TM40 ADAPTER	Used w/ Switch Control Only for Tilt
4	116327	STEREO JACK EXTENSION	Long 6', Used w/ Switch Control Only for Tilt
5	248927	HARN ACT EXT W/SWITCH	Actuator Extension with Switch
6	248990	HARN MONO TO MICROFIT	to Chin Boom (3.5mm jack); used w/ 248707
7	248707	HARN, PRO 165 DEG SWITCH, CB	see note; 165D Gravity Switch w/Chin Boom connection; used w/248990
8	248710	HARN, PRO 165 DEG SWITCH ONLY	see note; 165D Gravity Switch w/out Chin Boom
9	248711	HARN PRO RECLINE CHIN-BOOM	Manual or Fixed Recline to Chin Boom
10	248714	HARN PRO I2 EXTENSION	Manual or Fixed Recline to Chin Boom

Note: for mounting hardware for Gravity Switches (part numbers 248707 and 248710), see DISTRIBUTION BLOCK AND BRACKET parts page.



Pos.	Item Number	Description	Remarks
1	248506	HARN, INHIBIT SHORTING PLUG I2	Q500 Pro Drive Only & Thru Drive chairs except w/ Chin Boom
2	248795	HARN ACT W/INHIBIT CH1- 350	Thru Drive Switch Lift
3	248707	HARN, PRO 165 DEG SWITCH, CB	see note; 165D Gravity Switch w/ Chin Boom connection; use w/ 248990
4	248710	HARN, PRO 165 DEG SWITCH ONLY	165D Gravity Switch w/out Chin Boom. Used w/ User Adj Manual Recline or Tool Adj Back with Tilt
5	248706	HARN, 60 DEG RECLINE W/CB	60D Power Recline w/ Chin Boom
6	248711	HARN PRO RECLINE CHIN-BOOM	User Adjustable Manual Recline or Tool Adj Back to Chin Boom
7	248714	HARN PRO I2 EXTENSION	User Adjustable Manual Recline or Tool Adj Back to Chin Boom to 248707/248927
8	248932	HARN, ACT W/INH 350MM W/FER	All 60D Pwr Recline, 40D Pwr Recline w/ Chin Boom, PM4 w/ Pwr Module
9	248941	HARN CH1 W/FERRITE	40D Power Recline
10	249003	HARN Q500 40 DEG RECL W/SWITCH	All 60D Q500 Power Recline
11	22511002	ANTI SHEAR SWITCH LOOM	All 60D Power Recline
12	22511003	PWR RECLINE LOOM	40D Power Recline (Harness + Actuator)
13	248927	HARN ACT EXT W/SWITCH	All PM4 w/ Pwr Module; Actuator Extension with Switch
14	248990	HARN MONO TO MICROFIT	To Chin Boom (3.5mm jack), used with 248706/248707/248711
15	248794	HARN ACT CH1 - 500MM	Single Actuator Power Centermount
16	21211005-040	EXTENSION ACTUATOR LOOM 40CM	Actuator Extension
17	21211005-060	EXTENSION ACTUATOR LOOM 60CM	Actuator Extension
18	21211005-100	EXTENSION ACTUATOR LOOM 100CM	Single Actuator Power Centermount

Note: for mounting hardware for Gravity Switches (part numbers 248707 and 248710), see DISTRIBUTION BLOCK AND BRACKET parts page.

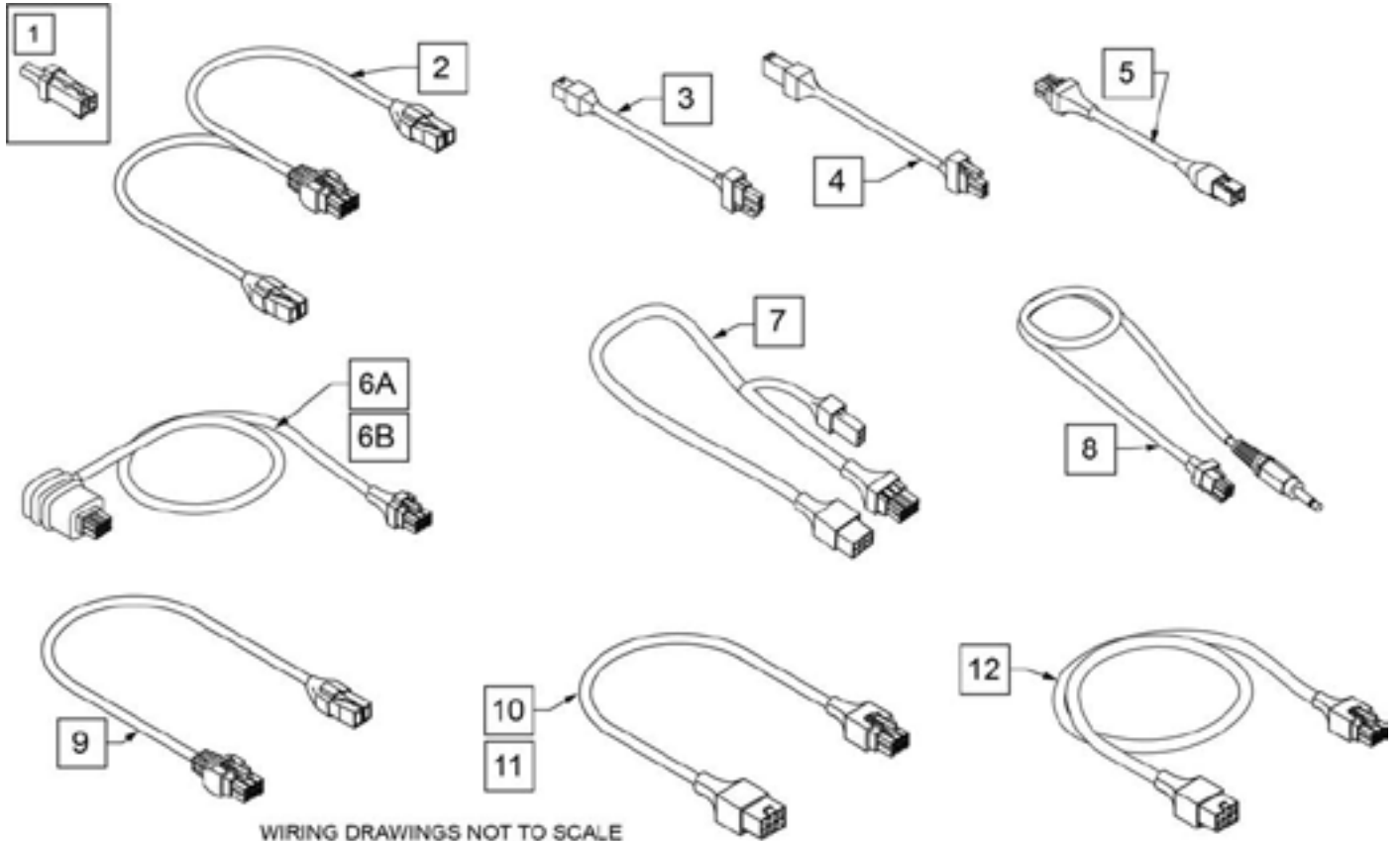


Pos.	Item Number	Description	Remarks
1	248506	HARN, INHIBIT SHORTING PLUG I2	Q500 Pro Drive Only & Thru Drive chairs except w/ Chin Boom or Recline Gravity switches
2	243300	HARNESS INHIBIT SHORTING PLUG	Q500 Pro Drive Only & Thru Drive chairs except w/ Tilt

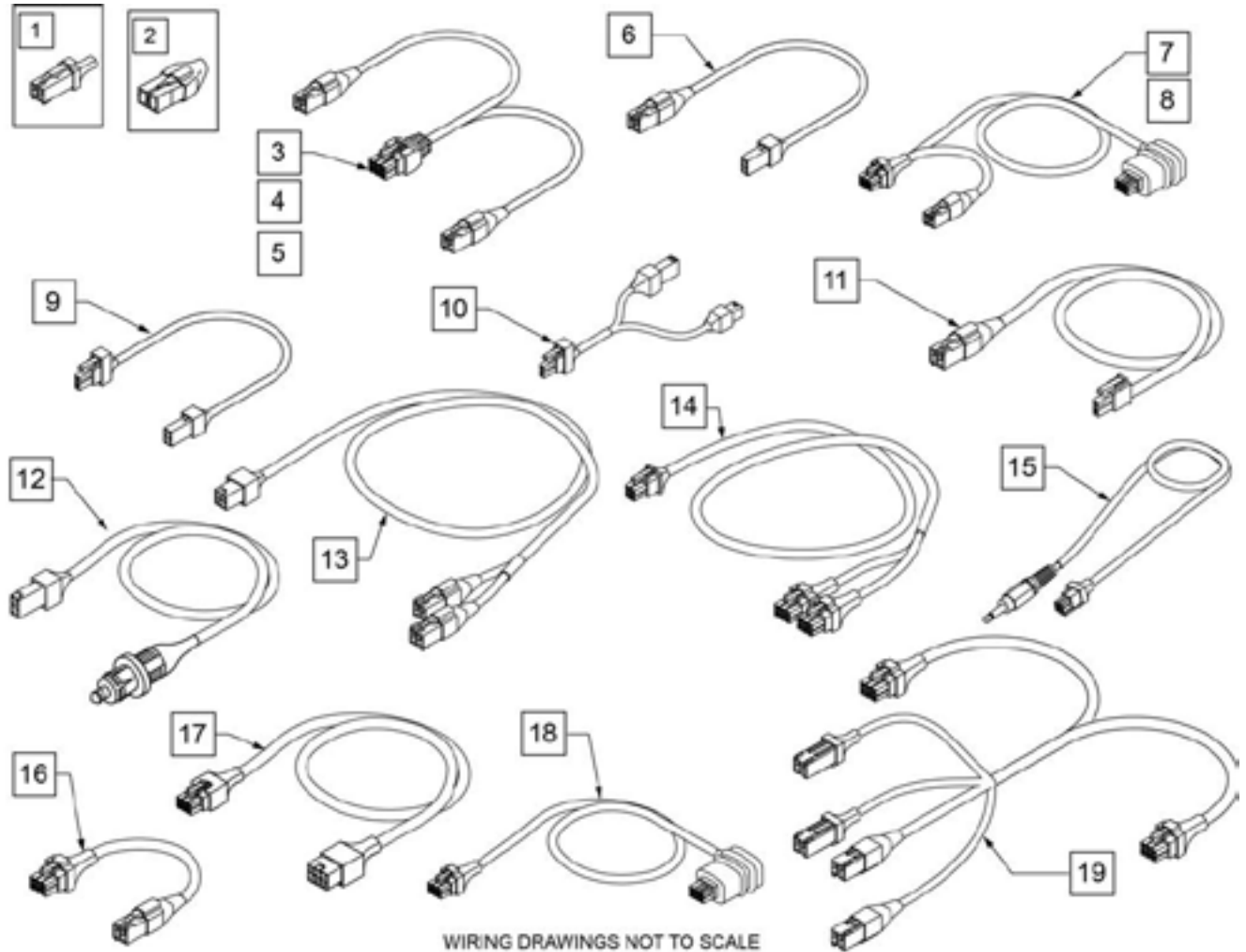
Pos.	Item Number	Description	Remarks
3	248728	HARN ACT W/INHIBIT CH6-1200	Thru Drive Switch Lift
4	108309-080	HARN ACT WITH PGD INHIBIT-800	ISM to Tilt
5	248796	HARN ACT W/INHIBIT CH4- 500	All Thru Drive Pro Power Recline with ISM
6	248707	HARN, PRO 165 DEG SWITCH, CB	see note; 165D Gravity Switch w/ Chin Boom connection; use w/ 248990
7	248710	HARN, PRO 165 DEG SWITCH ONLY	see note; 165D Gravity Switch w/out Chin Boom, Used w/ User Adjustable Manual Recline or Tool Adjustable Back with Tilt
8	248699	HARN, 60 DEG RECLINE W/TILT 1	40D & 60D Power Recline w/ Tilt w/out Chin Boom
9	248703	HARN, 60 DEG RECLINE W/TILT 2	40D & 60D Power Recline w/ Tilt & Chin Boom
10	248714	HARN PRO I2 EXTENSION	Manual or Fixed Recline to 248935 (use 2 for Lift)
11	248935	HARN, I2 SWITCH	Used with User Adjustable Manual Recline or Tool Adjustable Back with Tilt

Pos.	Item Number	Description	Remarks
12	249003	HARN Q500 40 DEG RECL W/SWITCH	Used with 150deg and 130deg Power Recline on chairs with Power SA Legs
13	22511001	ANTI SHEAR RECLINE LOOM	Used with 150deg and 130deg Power Recline on chairs w/o Power SA Legs
14	22511002	ANTI SHEAR SWITCH LOOM	All 60D Power Recline
15	248706	HARN, 60 DEG RECLINE W/CB	60D Power Recline w/ Chin Boom w/o Tilt
16	22511004	PWRD SA LEGREST CTR SIDE	Handi-Care S/A Controller Side Harness Right or Left (A2/A3)
17	22511005	PWRD SA LEGREST ACT SIDE	Handi-Care S/A Actuator Side Harness Right or Left
18	248515	HARN, PCM W/LIFT CTR SIDE	Dual Actuator Pwr Centermount Controller Side Harness
19	248516	HARN PCM W/LIFT ACT SIDE	Dual Actuator Pwr Centermount Actuator Side Harness
20	248990	HARN MONO TO MICROFIT	To Chin Boom (3.5mm jack), used with 248706/248707/248711
21	248743	HARN ACT CH 3 - 500MM	Single Actuator Power Centermount

Pos.	Item Number	Description	Remarks
22	21211005-150	EXTENSION ACTUATOR LOOM 150CM	Single Actuator Power Centermount: used w/ Lift (qty 1)
23	21211005-100	EXTENSION ACTUATOR LOOM 100CM	Dual Actuators w/Power Centermount: used w/Lift (qty 1) & w/Lift & Power Recline (qty 2)



Pos.	Item Number	Description	Remarks
1	248506	HARN, INHIBIT SHORTING PLUG I2	Drive Only & Thru Drive chairs except w/ Chin Boom
2	248795	HARN ACT W/INHIBIT CH1- 350	Thru Drive Switch Lift
3	248711	HARN PRO RECLINE CHIN-BOOM	User Adjustable Manual Recline or Tool Adj Back to Chin Boom
4	248714	HARN PRO I2 EXTENSION	User Adjustable Manual Recline or Tool Adj Back to Chin Boomr to 248707/248927
5	248941	HARN CH1 W/FERRITE	40D Power Recline
6A	22511003	PWR RECLINE LOOM	used w/ 40D power recline, centermount legs, non power SA and C-me. Used w/ 60D recline, power s/a legs and c-me.
6B	249002	HARN Q700 60 DEG PWR RCLN	used w/ 60D power recline, centermount legs, non power SA and C-me. used w/ 40D power recline, power s/a legs and c-me
7	248927	HARN ACT EXT W/SWITCH	All PM4 w/ Pwr Module; Actuator Extension with Switch
8	248990	HARN MONO TO MICROFIT	To Chin Boom (3.5mm jack), used with 248711
9	248794	HARN ACT CH1 - 500MM	Single Actuator Power Centermount
10	21211005-040	EXTENSION ACTUATOR LOOM 40CM	Actuator Extension
11	21211005-060	EXTENSION ACTUATOR LOOM 60CM	Actuator Extension
12	21211005-100	EXTENSION ACTUATOR LOOM 100CM	Single Actuator Power Centermount



Pos.	Item Number	Description	Remarks
1	248506	HARN, INHIBIT SHORTING PLUG I2	Q500 Pro Drive Only & Thru Drive chairs except w/ Chin Boom or Recline Gravity switches
2	243300	HARNESS INHIBIT SHORTNING PLUG	Q500 Pro Drive Only & Thru Drive chairs except w/ Tilt

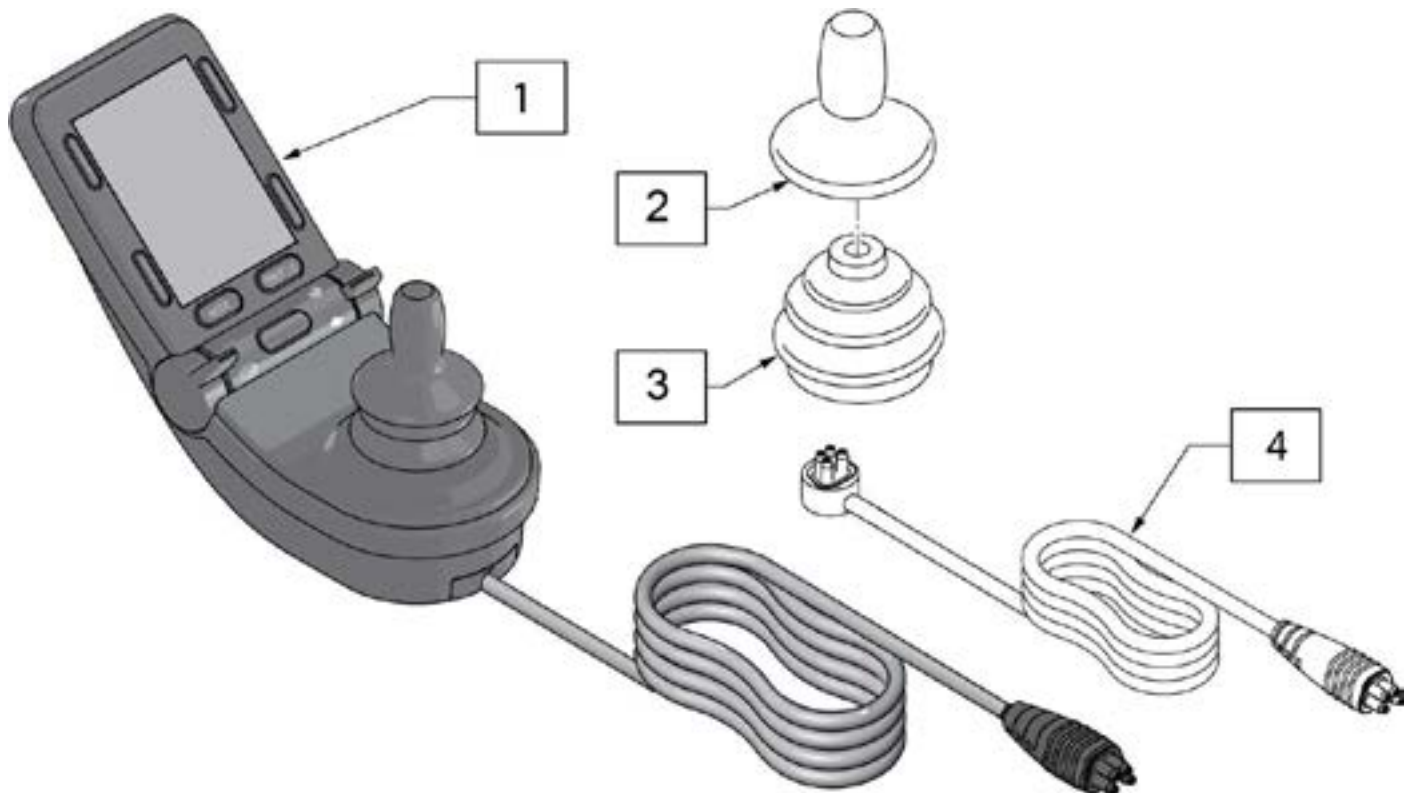
Pos.	Item Number	Description	Remarks
3	248728	HARN ACT W/INHIBIT CH6-1200	Thru Drive Switch Lift
4	108309-080	HARN ACT WITH PGD INHIBIT-800	ISM to Tilt
5	248796	HARN ACT W/INHIBIT CH4- 500	All Thru Drive Pro Power Recline with ISM
6	248935	HARN, I2 SWITCH	Used with User Adjustable Manual Recline or Tool Adjustable Back with Tilt
7	249003	HARN Q500 40 DEG RECL W/SWITCH	Used with 150deg and 130deg Power Recline on chairs with Power SA Legs
8	22511001	ANTI SHEAR RECLINE LOOM	Used with 150deg and 130deg Power Recline on chairs w/o Power SA Legs
9	248714	HARN PRO I2 EXTENSION	Manual or Fixed Recline to 248935 (use 2 for Lift)
10	248706	HARN, 60 DEG RECLINE W/CB	60D Power Recline w/ Chin Boom w/o Tilt
11	22511004	PWRD SA LEGREST CTR SIDE	Handi-Care S/A Controller Side Harness Right or Left (A2/A3)

Pos.	Item Number	Description	Remarks
12	22511005	PWRD SA LEGREST ACT SIDE	Handi-Care S/A Actuator Side Harness Right or Left
13	248515	HARN, PCM W/LIFT CTR SIDE	Dual Actuator Pwr Centermount Controller Side Harness
14	248516	HARN PCM W/LIFT ACT SIDE	Dual Actuator Pwr Centermount Actuator Side Harness
15	248990	HARN MONO TO MICROFIT	To Chin Boom (3.5mm jack), used with 248706/248707/248711
16	248743	HARN ACT CH 3 - 500MM	Single Actuator Power Centermount
17	21211005-150	EXTENSION ACTUATOR LOOM 150CM	Single Actuator Power Centermount; use with Lift
18	249002	HARN Q700 60 DEG PWR RCLN	Used /W 60D power recline, centermount legs and non power SA and C-me. Used W/ 40D power recline and power s/a legs and c-me
19	248517	HARN, TLC ISM	

Note: Joystick Post accepts Joystick Knobs that have a 1/4" diameter mating hole.

Note: available on QM7 Series chairs After S/N QM710B, QM715B & QM720B.

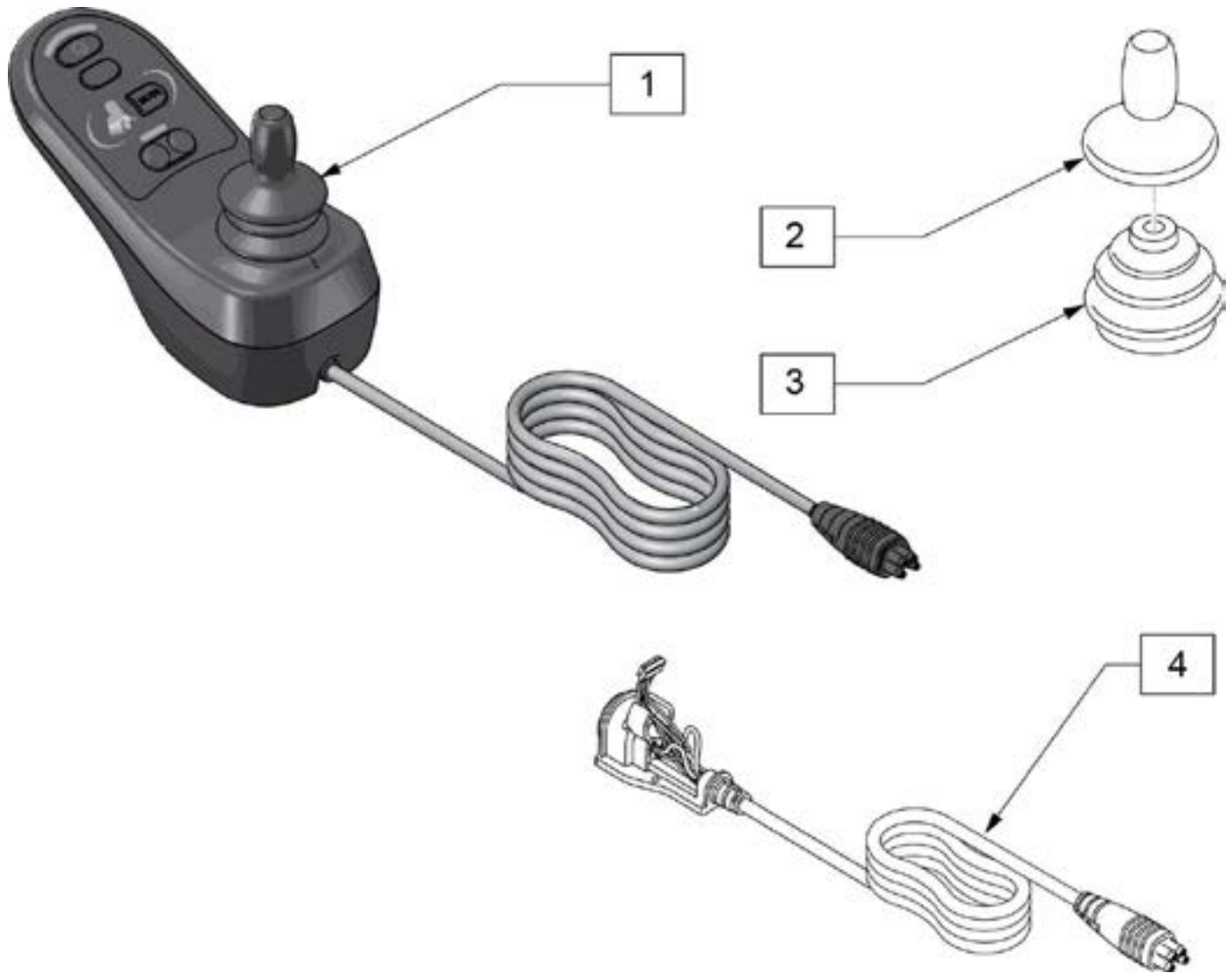
Note: please see attachment in informations panel for additional joystick component information and to determine appropriate replacement parts.



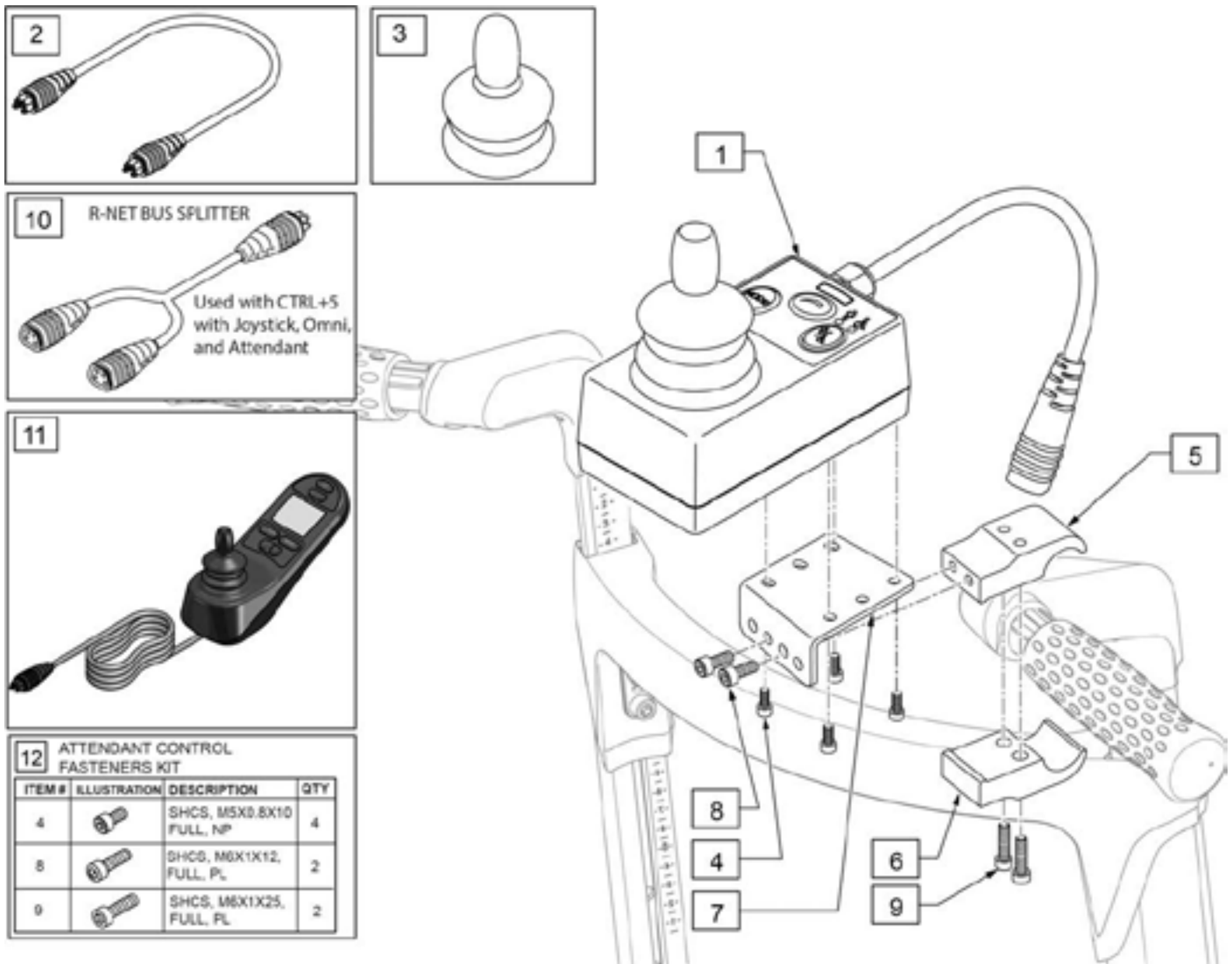
Pos.	Item Number	Description	Remarks
2	138169	JOYSTICK KNOB	
3	105930	JOYSTICK BOOT	
4	136491	CJSM2 REPLACEMENT CABLE 1200	48"
1,4	161664	JYSTCK CJSM2 W/BT W/CABLE 1200	w/ IR & BT

NOTE: JOYSTICK POST ACCEPTS JOYSTICK KNOBS THAT HAVE A 1/4" DIAMETER MATING HOLE.

Note: please see attachment in informations panel for additional joystick component information and to determine appropriate replacement parts.

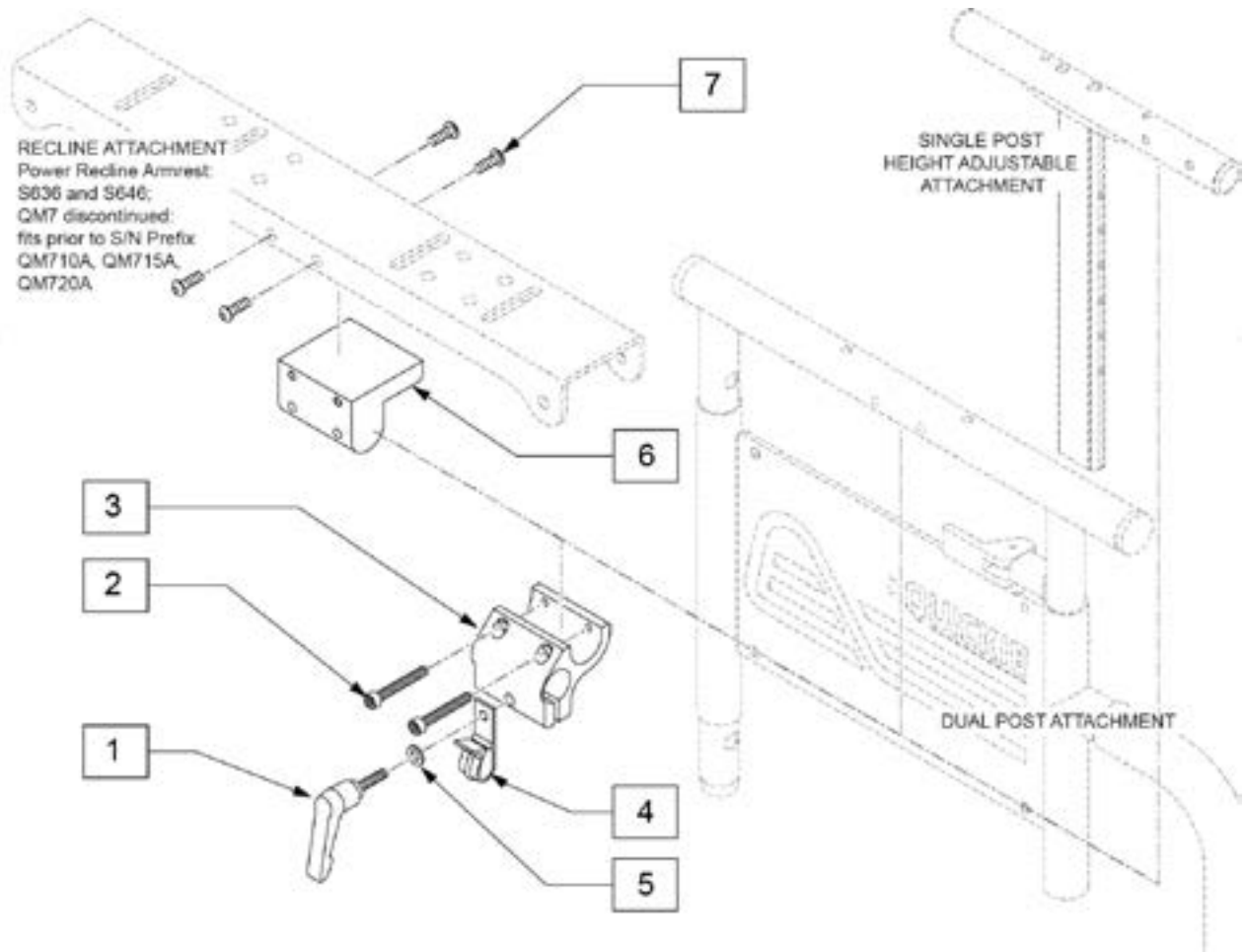


Pos.	Item Number	Description	Remarks
1	131396	JYSTCK LED JSM 1200MM	48" Lead
2	138169	JOYSTICK KNOB	
3	105930	JOYSTICK BOOT	
4	187100	LED REPLACEMENT CABLE 1200	48"



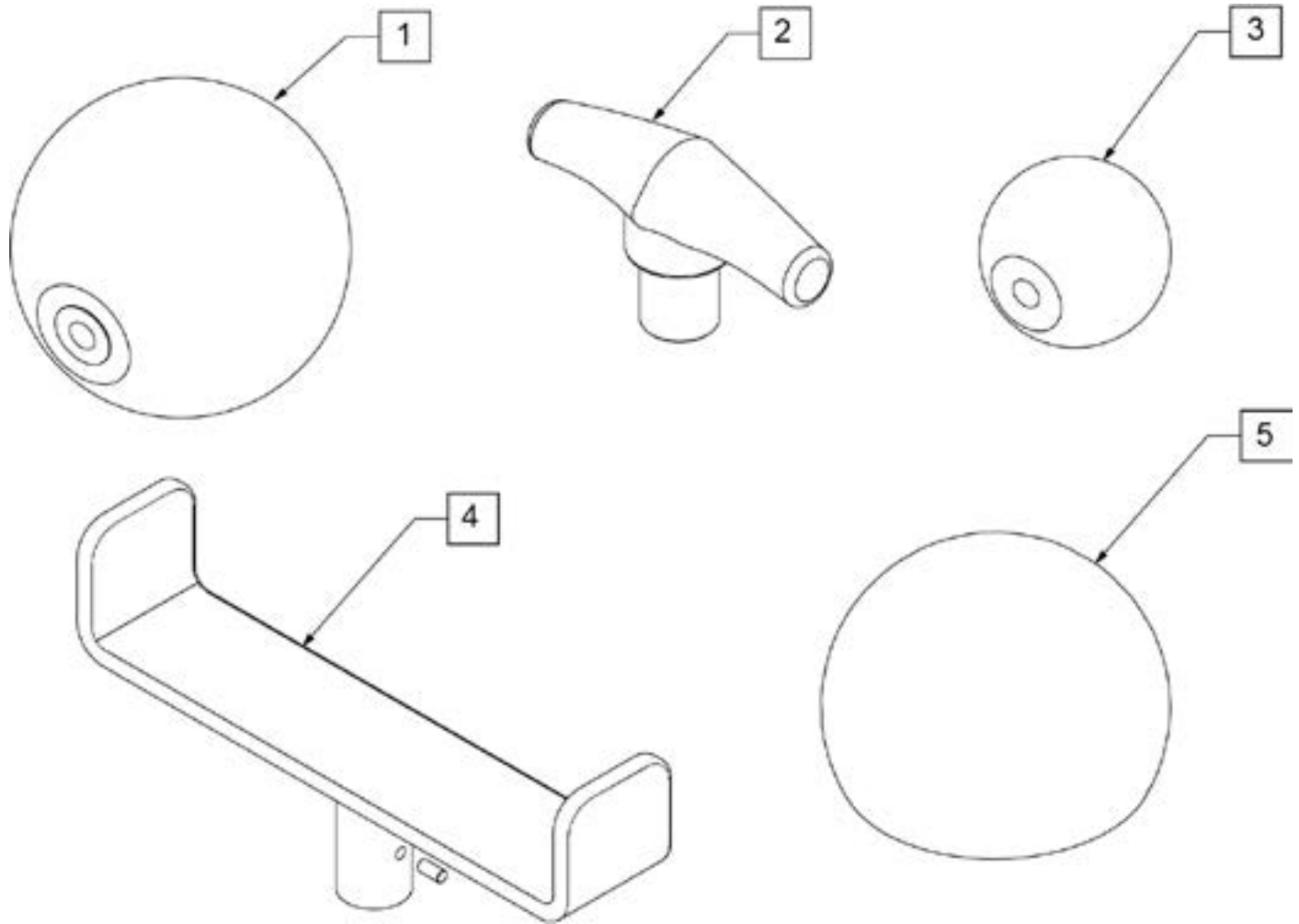
Pos.	Item Number	Description	Remarks
1,2,3	110845	RNET ATTENDANT JOYSTICK	Used w/ RNET Electronics Only
2	108316-050	HARNES R-NET BUS 500MM	Used w/ RNET Electronics Only
3	138169	VSI JOYSTICK HANDLE	
5	131245	UNIV CLAMP THREADED .875"	
6	131244	UNIV CLAMP NON THREADED .875"	
4-9	163408	PRO ATTENDANT CNTRL MNT RH	Right
4-9	163409	PRO ATTENDANT CNTRL MNT LH	Left
10	130803	HARN, RNET BUS SPLITTER	
11	131263	JYSTCK CJSM LONG LEAD	
12	158698	ATTENDANT CNTRL MNT FASTENERS	Kit includes items 4,8,9

CLAMP FOR ROUND ARM JOYSTICK MOUNT (FIXED)

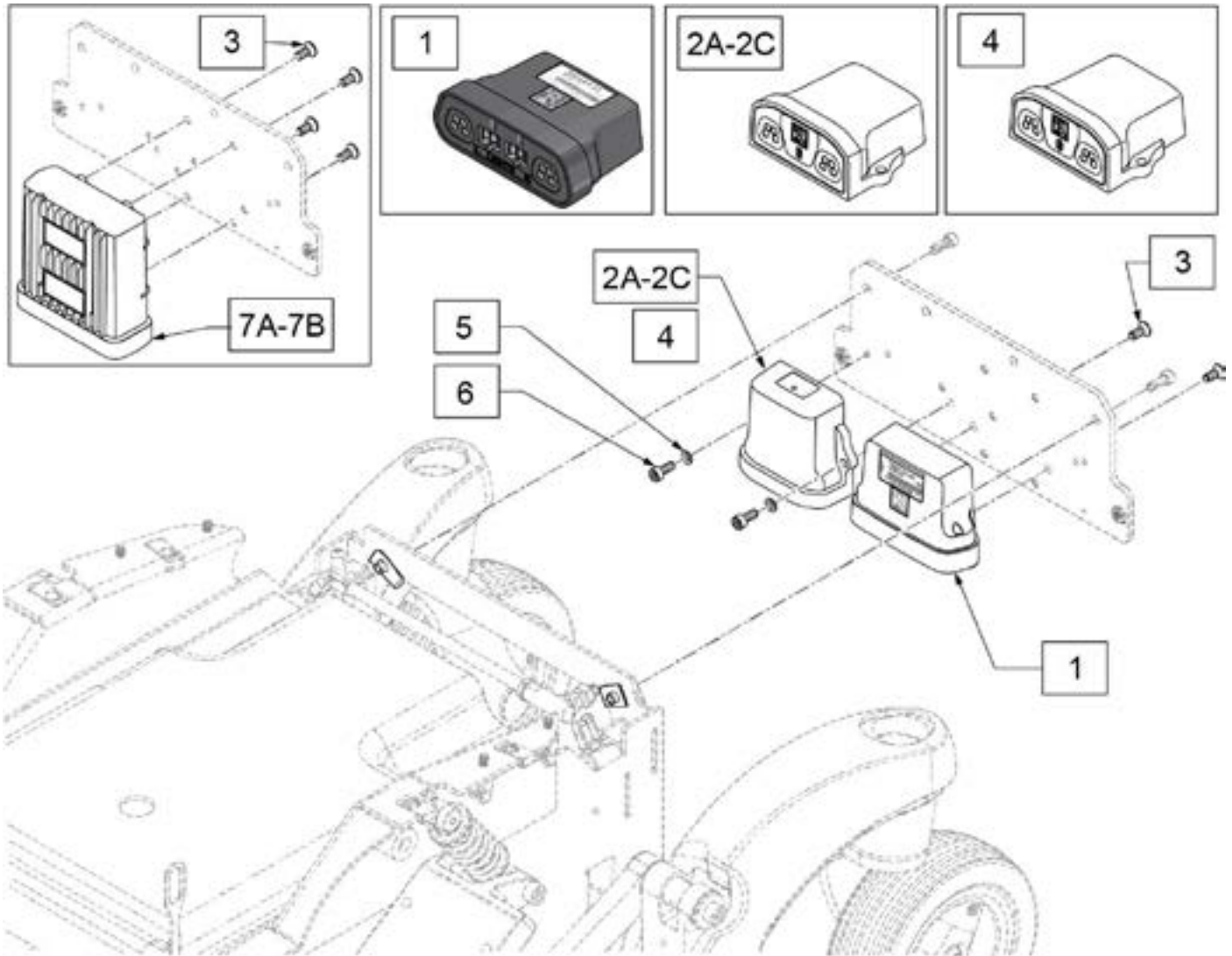


Pos.	Item Number	Description	Remarks
1	349024	HNDL 10-32 x 3/4 C/A P1/P3/P5	
2	226037	10-32 x 1 3/8 SOC C/S BLK	
3	501750	CONTROL ARM CLAMP	
4	560268	QUICK RELEASE CLIP	
5	261204	#10 AN WASHER .063	
6	551001	CONTROLLER MOUNT BLOCK	
7	222297	10-24 X 3/8 SOC BH C/S W/PTCH	
1-5	920713	CONTROL ARM CLAMP ASSM	

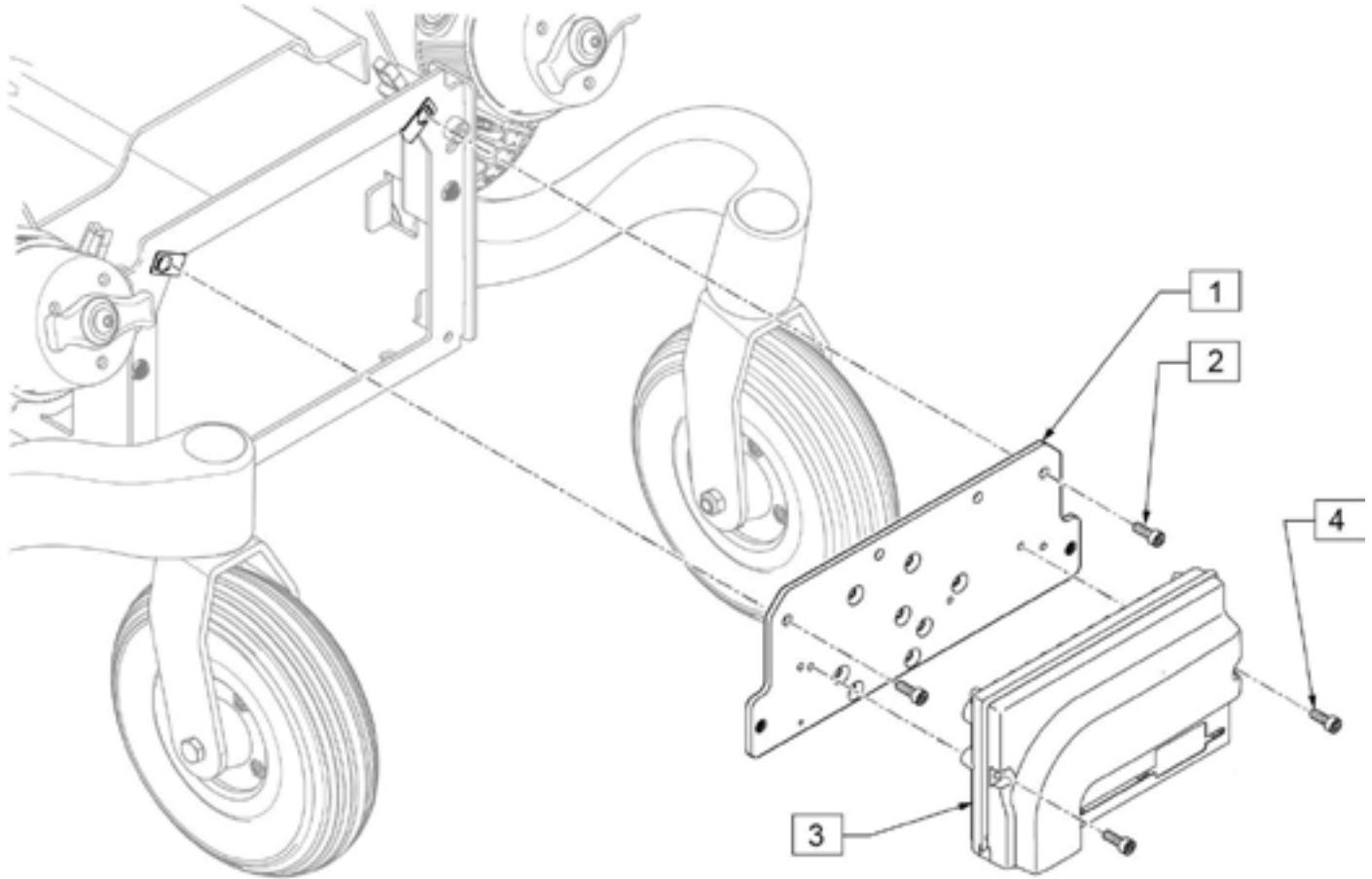
Note: Optional Joystick Handles not available on Heavy Duty Joystick.



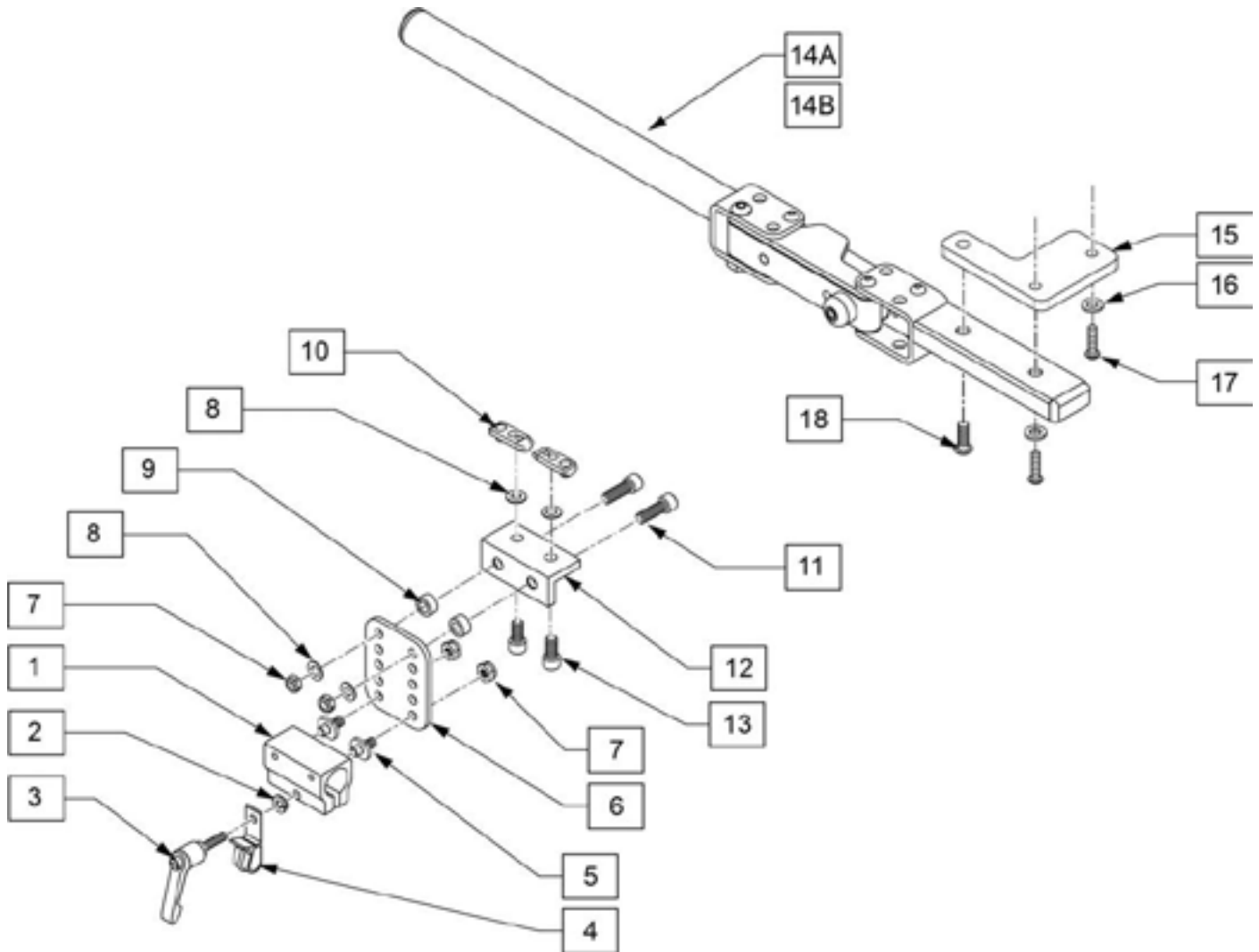
Pos.	Item Number	Description
1	138165	J/S KNOB BALL HANDLE (SOFT)
2	138167	J/S KNOB T-BAR
3	138166	J/S KNOB BALL HANDLE (SOLID)
4	013113	GOALPOST JOYSTICK EXT
5	6003447	ALL-ROUND JYSTK BALL (CHIN)



Pos.	Item Number	Description	Remarks
1	241648	RNET LIGHT MODULE	
2A	108218	MDLE BLUETOOTH IND BOX	for Android
2B	131416	BLUETOOTH APPLE	
2C	131417	BLUETOOTH WINDOWS 2	
3	103499-006	M5 X 16 8.8 DPS NP	
4	015575	MOTOR ENCODER MODULE	
5	113282	WASHER FLAT AN #10	
6	013143	BHCS MT X .8 X 14 BLK W/PL	
7A	122194	MODULE INTEL ST W/O LIGHTS	referred to as ISM and used on chairs without Lighting
7B	122177	MODULE INTEL ST W/LIGHTS P222	referred to as ISM and used on chairs with Lighting



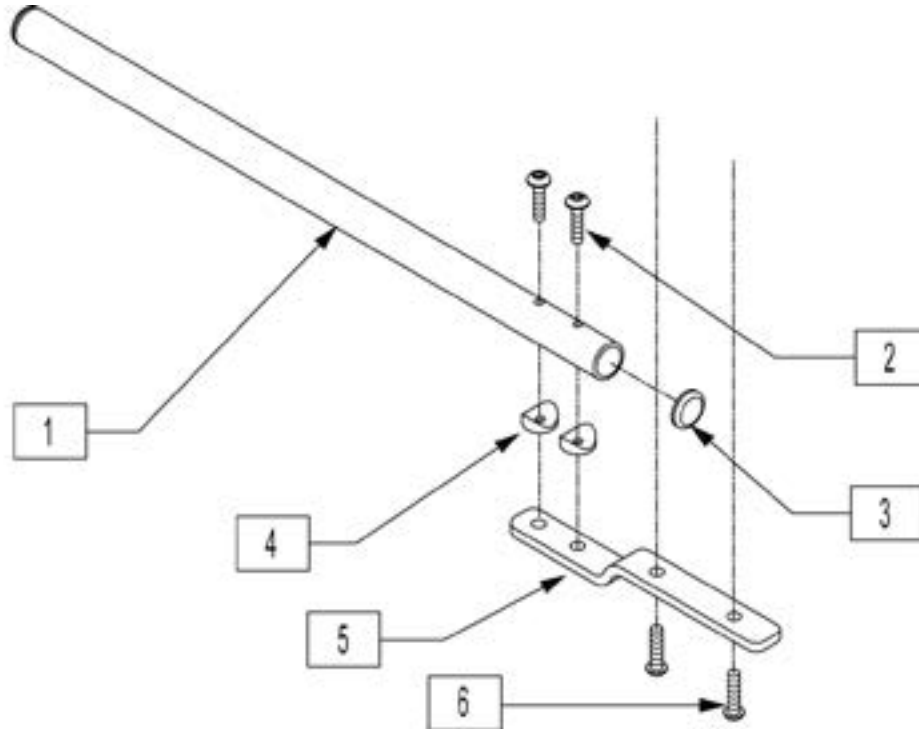
Pos.	Item Number	Description
1	132856	CONTROLLER PLATE ASSY
2	243265	LHCS M6 X 1.0 X 16 CLS 10.9
	DT-108219	CNTRLR EL PM70 - ONLY FOR Q500 M I
3	108219	CNTRLR EL PM90
4	112341	SHCS, M5 X .8 X 16, FULL, PL



Pos.	Item Number	Description	Remarks
1	108863	CLMP CNTRL ARM RND	
2	261524	#10 WASHER LOCK SS	
3	011049	HANDLE ADJ MODERN M5 X 20 STUD	
4	560268	QUICK RELEASE CLIP	
6	PRT2626	1IN OFFSET ADPT,E-Z ACCESS,STD	
7	220121	NUT HEX NYLOCK M5 BLACK	
8	250104	WASHER FLAT M6	
9	483027	1/4 X 1/4IN ALUM SPACER	
10	9003177	CLAMP NUT PROFILES	
11	112697	SHCS, M5X0.8X20, FULL,PL	
13	103045	SHCS, M6X1X12, FULL, PL	
15	115329	BRACKET RNET JOYSTICK	
16	455031-QU	10 AN WASHER .032 SS	
17	102259-002	BHCS M5 X .8 X 20 W/PL INORG	
18	221090	1/4-28 X 3/8 BH C/S BLK	
1-7	159406	CNTRLR CLMP ARM ASSM RND	
14-18	120593	RMT S/A R W/ARM MAG	Right
14-18	120594	RMT S/A L W/ARM MAG	Left

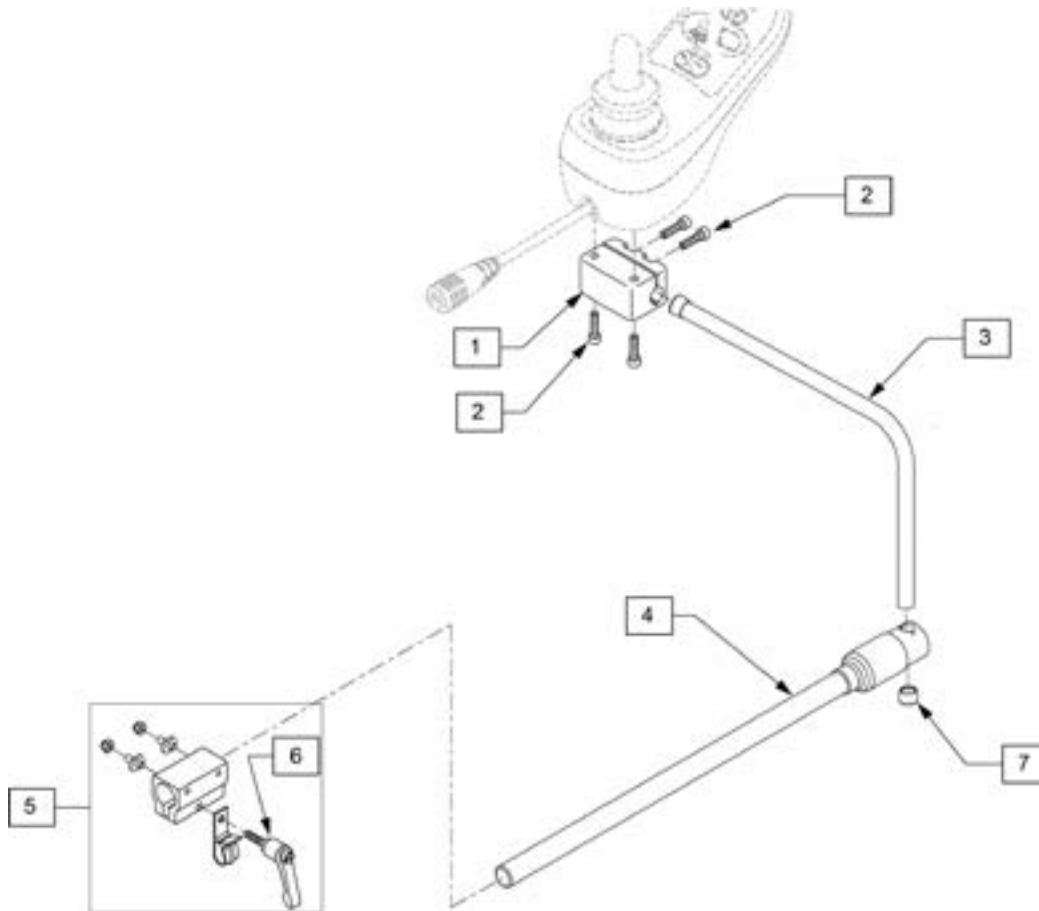
Pos.	Item Number	Description	Remarks
1-13	164202	RND JYSTCK MNT ASSM PRO	
1-18	164204	RND JYSTCK PRO S/A ASSM R	Right
1-18	164203	RND JYSTCK PRO S/A ASSM L	Left

ROUND ARM JOYSTICK MOUNT QTRONIX



Pos.	Item Number	Description	Remarks
1	520231	REMOTE BOX MOUNT TUBE Q-TRONIX	
2	226066	1/4-28 x 1.1" BH C/S BLK	
3	560761	3/4" INSERT PLUG .049 (18GA)	
4	561003	3/4" SADDLE THIN	
5	481196	REMOTE BOX BENT MOUNT S525	
6	226069-QU	1/4-20 x 1/2 BH C/S BLK	
1-6	882270	REMOTE CONTROL ARM ASSM QX	

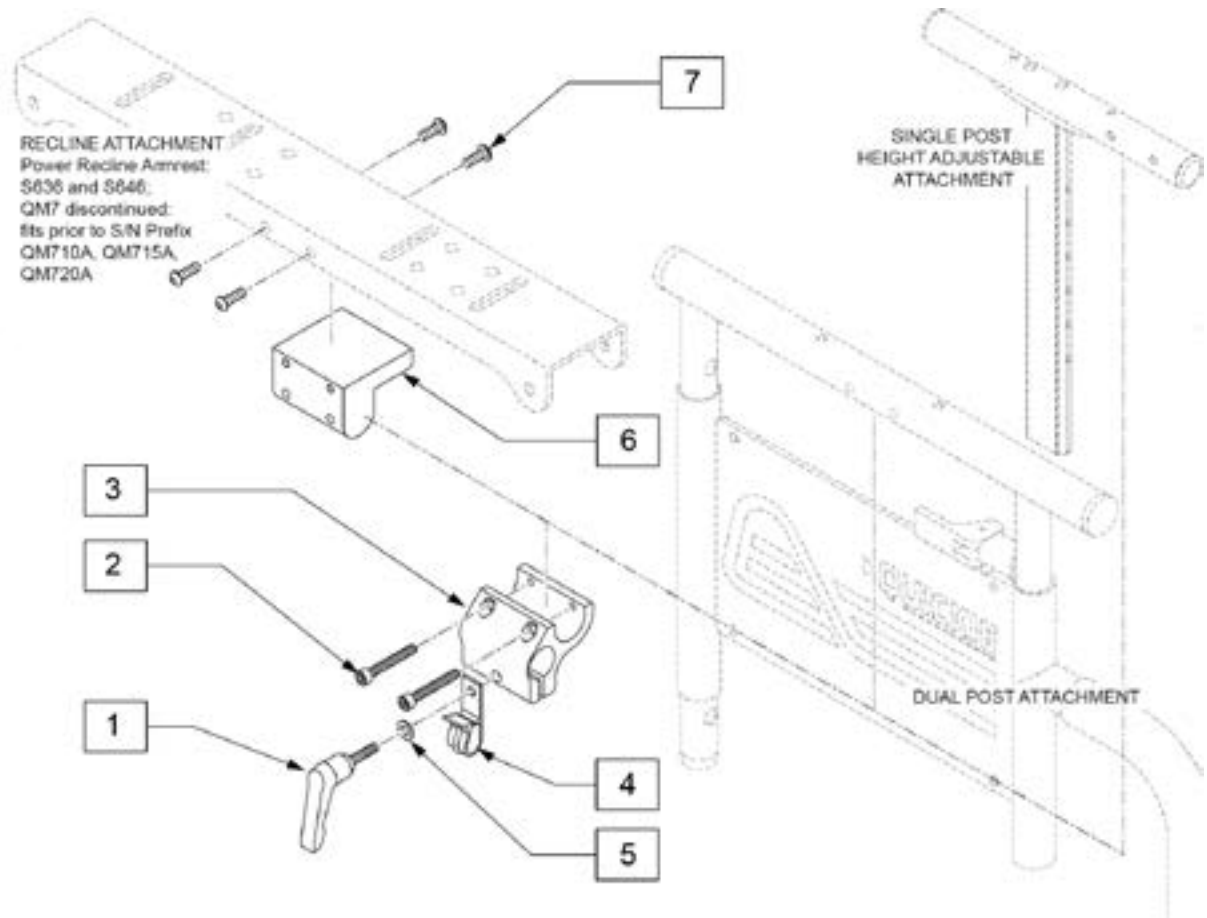
MIDLINE JOYSTICK MOUNT



Pos.	Item Number	Description	Remarks
1,2	127939	ASSM MOUNT JOYSTICK CLAMP	
3	521098	ADJ DISPLAY ARM "L"SHORT(USCM)	
4	111190	MOUNT ARM DISPLAY	
5,6	159406	CNTRLR CLMP ARM ASSM RND	
6	011049	HANDLE ADJ MODERN M5 X 20 STUD	
7	560307	ADJ DISPLAY ARM CAP	
1-7	130460	MIDLINE JOYSTICK MOUNT KIT	

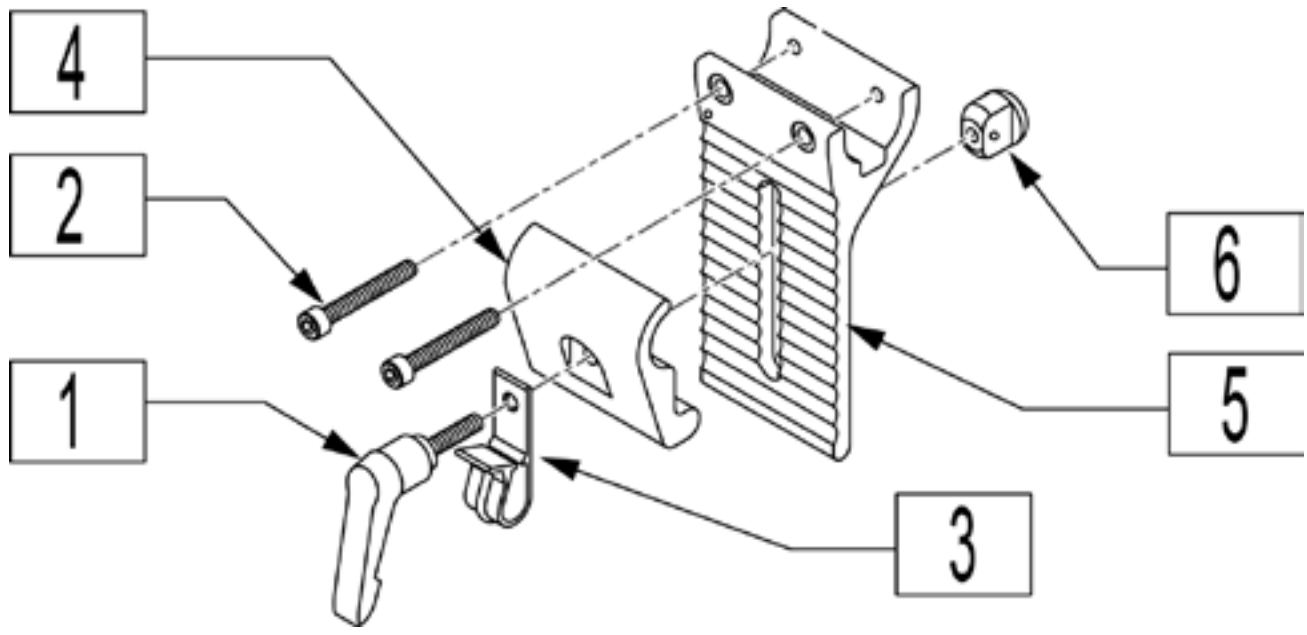
CLAMP FOR ROUND ARM JOYSTICK MOUNT (FIXED)

Note: used when OMNI is ordered on a Quickie Pulse or QM7 Series.



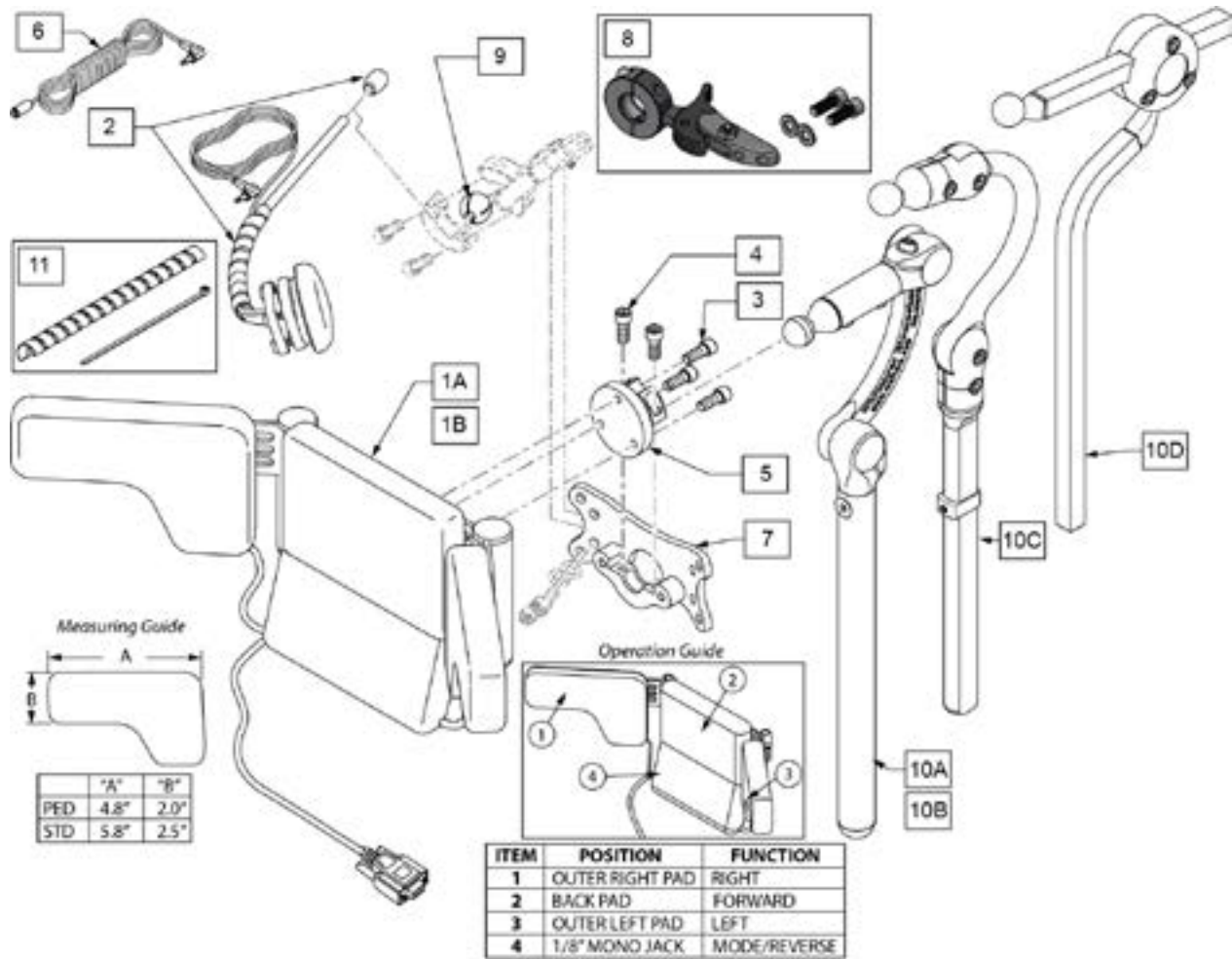
Pos.	Item Number	Description	Remarks
1	349024	HNDL 10-32 x 3/4 C/A P1/P3/P5	
2	226037	10-32 x 1 3/8 SOC C/S BLK	
3	501750	CONTROL ARM CLAMP	
4	560268	QUICK RELEASE CLIP	
5	261204	#10 AN WASHER .063	
6	551001	CONTROLLER MOUNT BLOCK	
7	222297	10-24 X 3/8 SOC BH C/S W/PTCH	
1-5	920713	CONTROL ARM CLAMP ASSM	

HEIGHT ADJ CLAMP FOR ROUND ARM JOYSTICK MOUNT (SPHA & DUAL POST ARMRESTS)



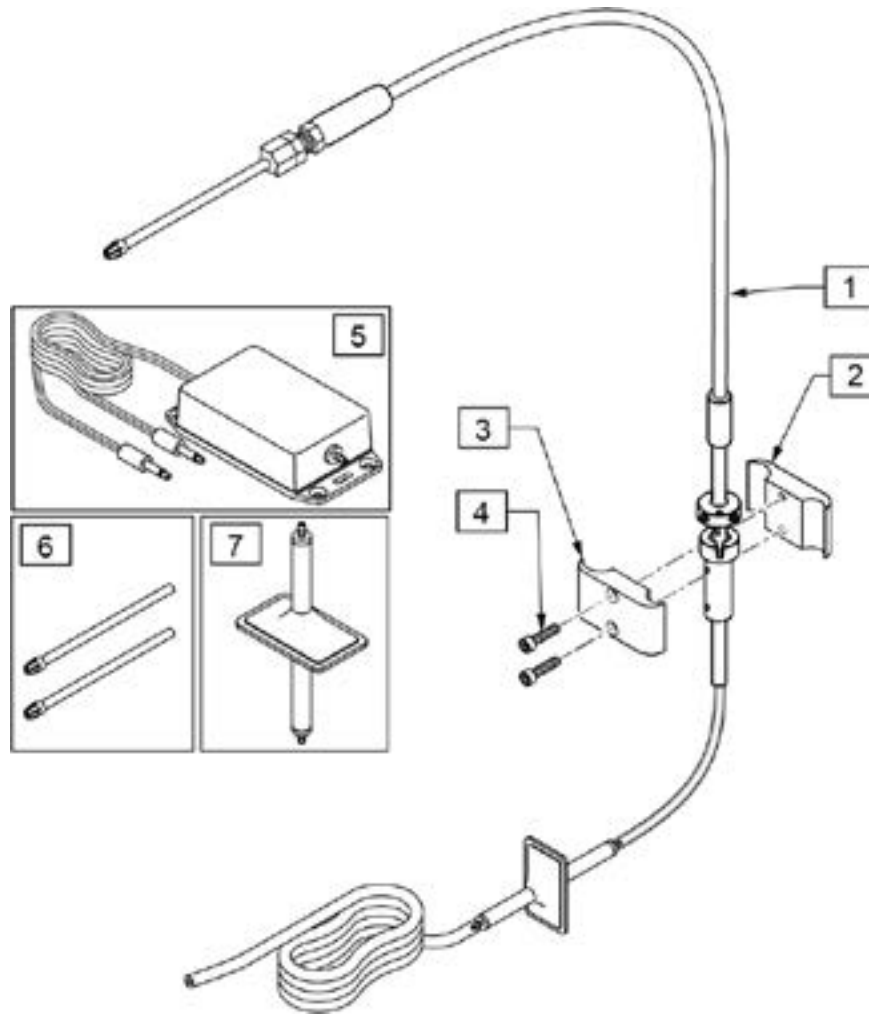
Pos.	Item Number	Description	Remarks
1	349024	HNDL 10-32 x 3/4 C/A P1/P3/P5	
2	226037	10-32 x 1 3/8 SOC C/S BLK	
3	560268	QUICK RELEASE CLIP	
4	505767	ADJUSTABLE REMOTE MOUNT	
5	505766	ADJUSTABLE CLAMP OUTER	
6	200139	SLIDING NUT	
1-6	920738	HT ADJ MOUNT ASSM STD	

3 SWITCH HEAD ARRAY



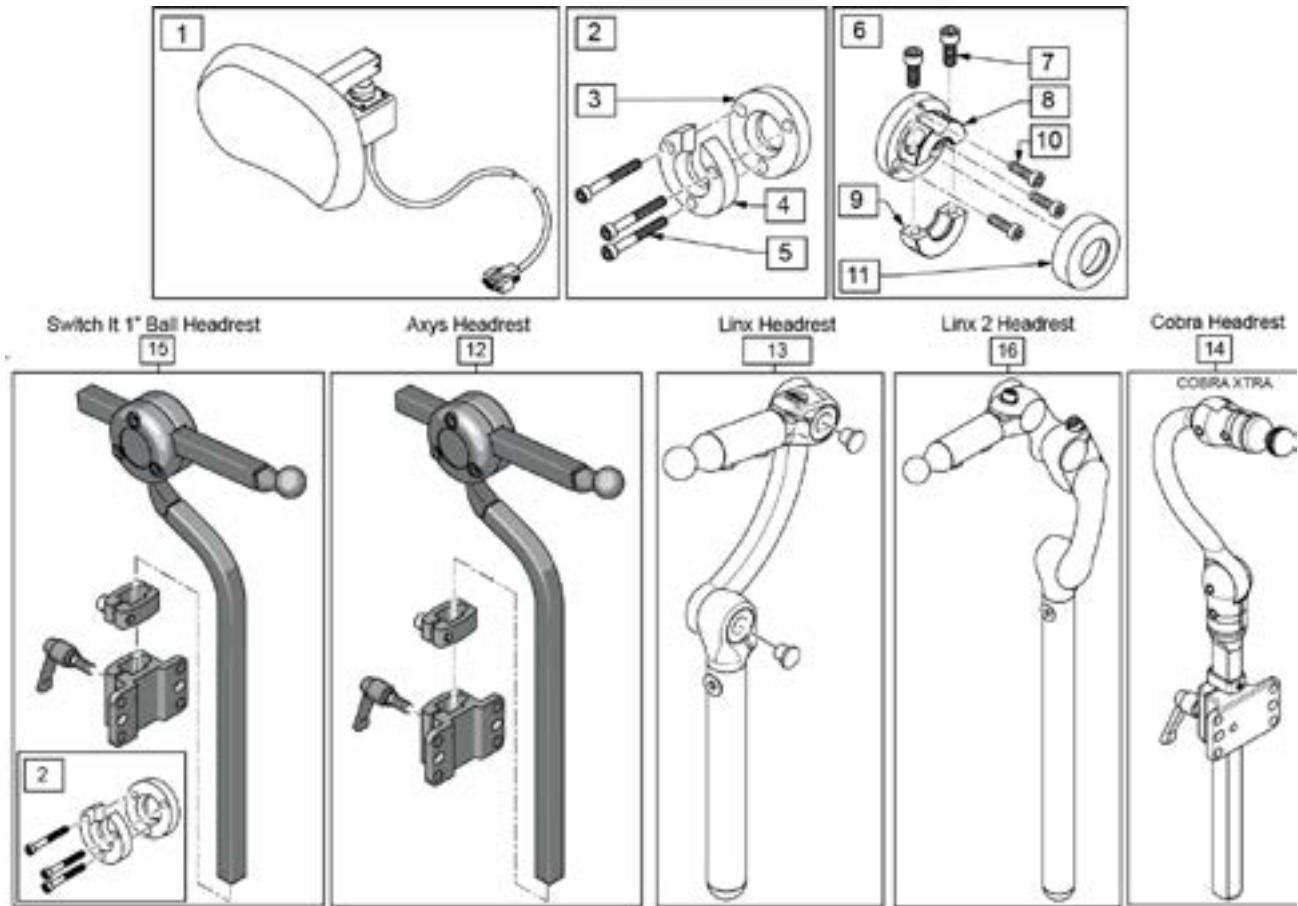
Pos.	Item Number	Description	Remarks
1A,3-5	HDR3-LC-M2-WH-CON	SI 3-SWI-LC-TWO 1/8" WHIT CON	Adult size/Long
1B,3-5	HDR3-SC-M2-WH-CON	SI 3-SWI-SC-TWO 1/8" WHIT CON	Pediatric size/Stubby
2	108637	EGG SWITCH MNTG SYSTEM	
3	221010	10-32 X .75 SHCS BLK W/PL	
4	221016	1/4-28 x .63 SHCS BLK W/PL	
5	104907	TOP COLLAR FLANGE WELDM	
6	116327	HARNESS 3.5 MM PHONE EXT	
7	LM-PL	PLUSH LAT INTERFACE PLATE	
8	LM115	LFC MOUNT, SWINGAWAY	
9	107411	CLAMP BALL, STEEL	
10A	LX7000	LINX CORE MOUNT HDW 10" POST	
10B	LX8000	LINX CORE MNTG HDWR 8" 8" POST	
10C	CBRA7010	COBRA XTRA MOUNT HDW, ADUL	
10D	AX7010	AXYS CORE MOUNT HDW	
1A,2-10A	129449	3 SWITCH H ARRAY STD LINX 10	
1A,2-10B	129450	3 SWITCH H ARRAY STD LINX 8	
1A,2-10C	129451	3 SWITCH H ARRAY STD COBRA	
1A,2-10D	129452	3 SWITCH H ARRAY STD AXYS	
1B,2-10A	129453	3 SWITCH H ARRAY PED LINX 10	
1B,2-10B	129454	3 SWITCH H ARRAY PED LINX 8	
1B,2-10C	129455	3 SWITCH H ARRAY PED COBRA	
1B,2-10A	129456	3 SWITCH H ARRAY PED AXYS	
11	129776	WIRE TIE DOWN KIT 1wrap, 10 ties	

LOW-PRESSURE SIP-N-PUFF PARTS



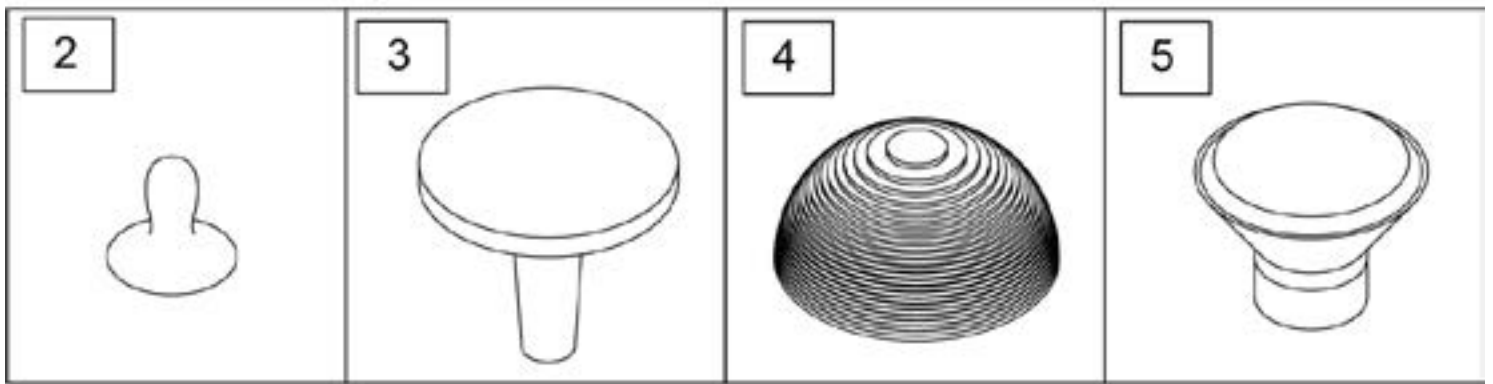
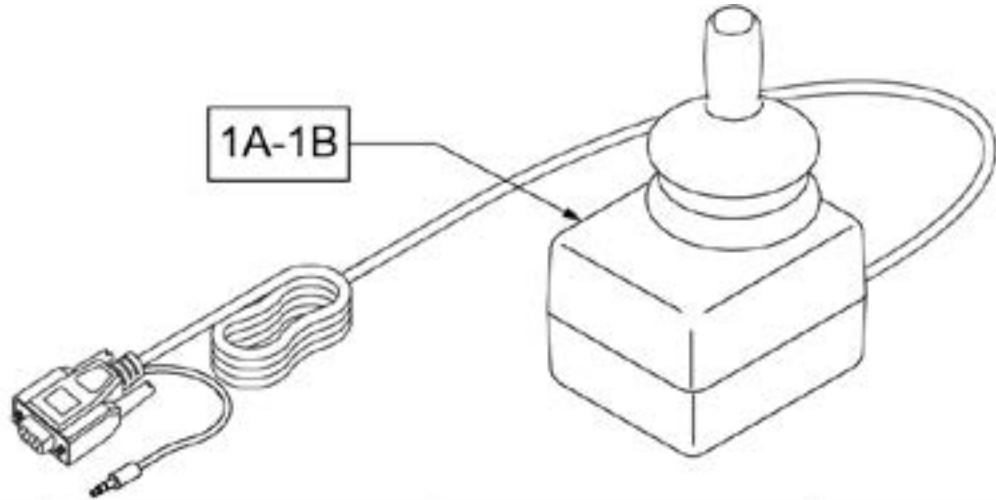
Pos.	Item Number	Description	Remarks
1-4	244020	WHISPERLITE SWINGAWAY, 7/8"	Sip-N-Puff; clamp fits 7/8" tubing
1-5	S&P-LPP	SWITCH IT LOW PRESSURE S&P	Monoplug output, S&P mounting
5	LPP	SWITCH IT LOW PRESSURE S&P	
6	243758	MOUTHPIECE, SIP & PUFF	
7	243760	SALIVA TRAP, SIP N PUFF	

RIM PROPORTIONAL HEAD CONTROL AND MOUNTING HARDWARE



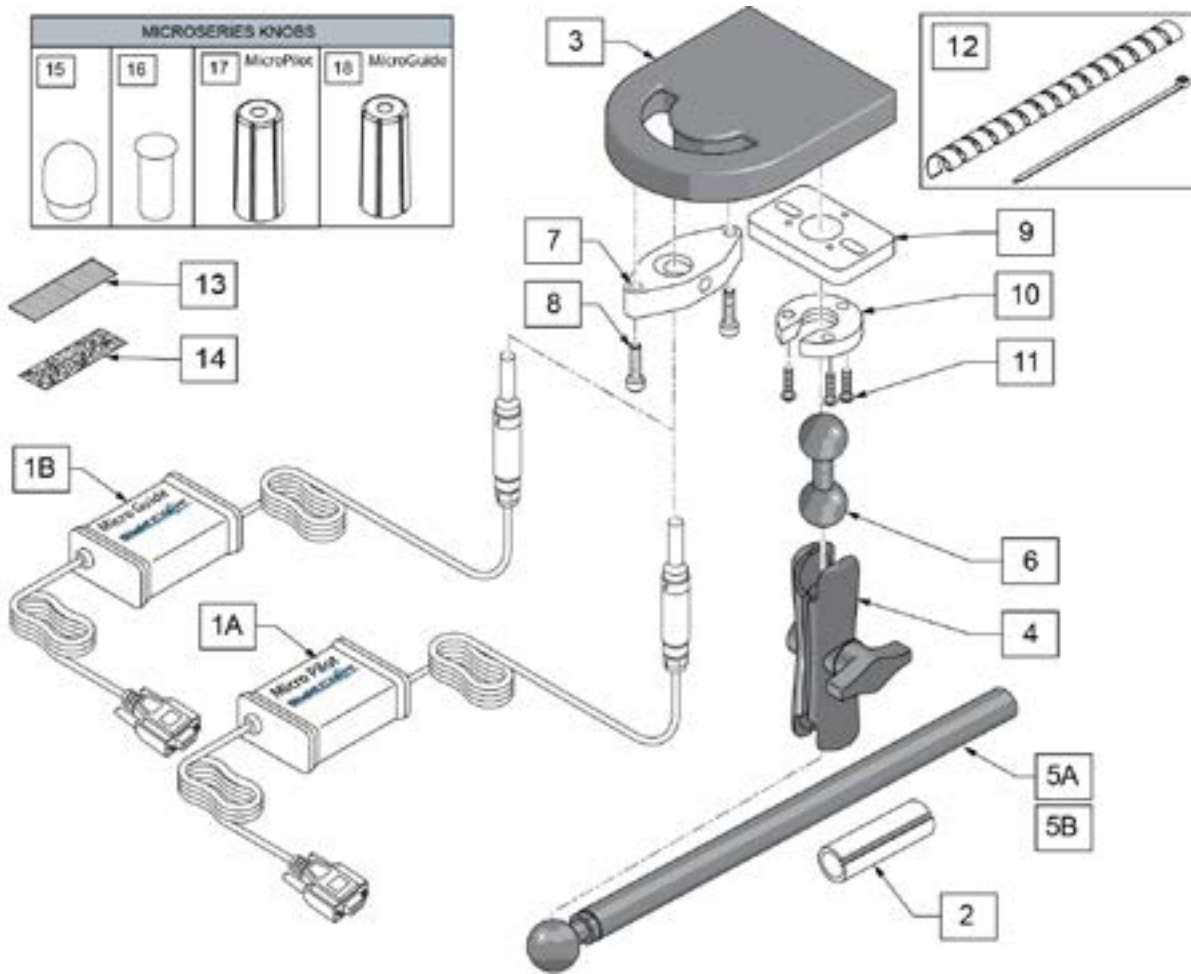
Pos.	Item Number	Description	Remarks
1	RIM-WOM	RIM CONTROL-NO HDW	
1,2	see remarks	RIM CONTROL-1"BALL CON	order p/n RIM-SI-CON
1,6	RIM-WH-CON	SI RIM CONTROL-WHIT CON	
1,12	RIM-WH-AXYS	RIM CONTROL-AXYS	
1,13	RIM-WH-LINX	RIM CONTROL-LINX	
1,14	RIM-WH-COBRA	RIM CONTROL-COBRA	
1,15	see remarks	RIM CONTROL-1/2" HDW	order p/n RIM-SI
1,16	RIM-WH-LINX2	SI RIM CONTROL-WHIT LINX2	
2	see remarks	CONNECTOR - DP HEADREST	order p/n MC-HDR-SI
3	244102	CP-3 HOLE RING	
4	244101	CP-3 HOLE RING SPLIT	
5	243830	SHCS, 10-32 X 1-1/2"	
6	MC-HDR-WH	CONNECTOR - DP HEADREST	
7	MF014600	1/4-28X5/8" SHCS-COLLAR BOLT	
8	104907	TOP COLLAR FLANGE WELDM	
9	MW027100	COLLAR HALF RAD 3/4" THD. BLCK	
10	243837	SHCS, 10-32 X 7/8"	
11	MC100-WB	COVER 3/4"COLLAR/VINYL BLACK	

VERSASERIES PROPORTIONAL COMPACT JOYSTICKS



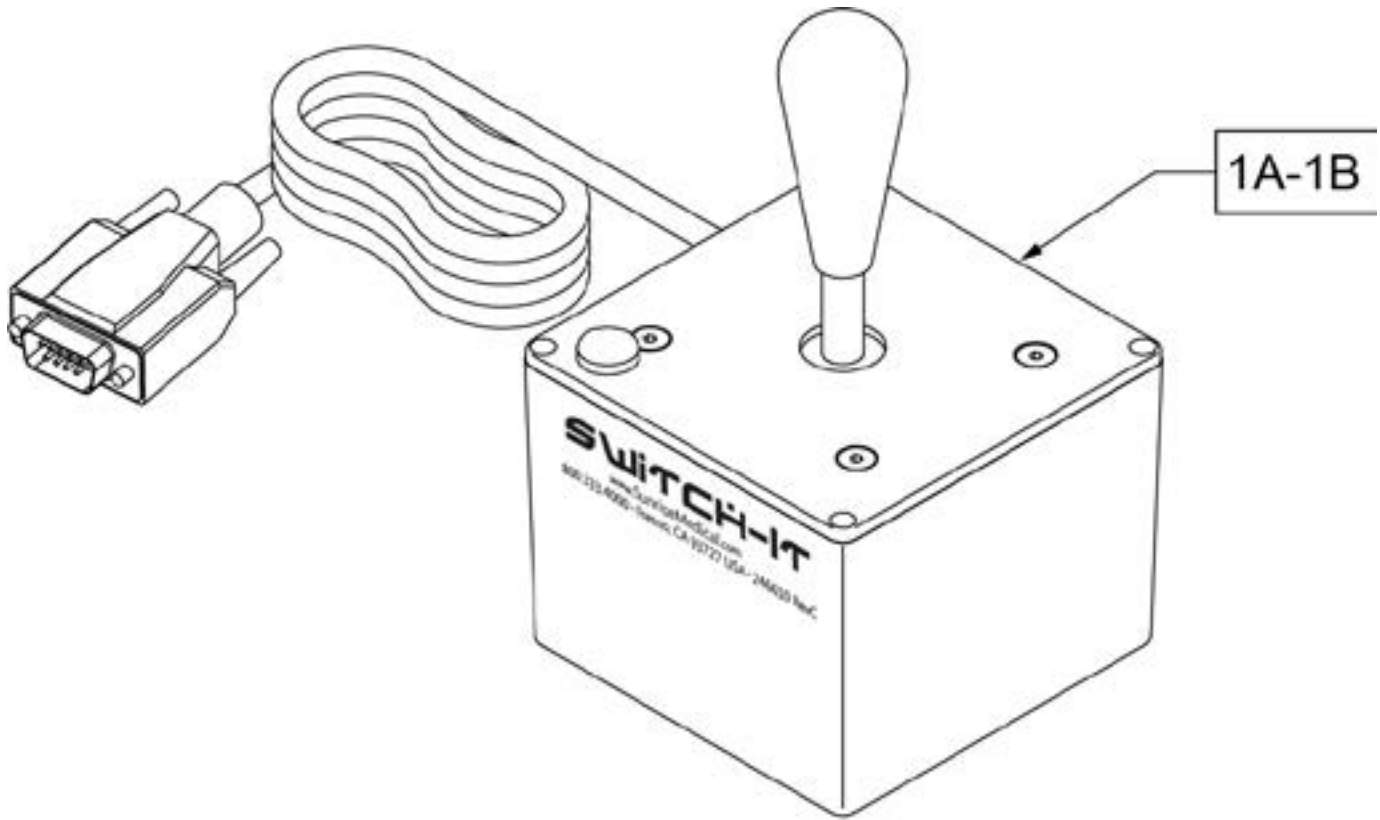
Pos.	Item Number	Description	Remarks
1A	VG	SWITCH IT VERSAGUIDE JOYSTICK	
1B	VG-EZ	SWITCH IT VERSAGUIDE EZ JOYSTICK	
2	243183	VERSAGUIDE KNOB	
3	243980	CHIN CUP FOR JOYSTICK KNOB	
4	244581	JOYSTICK HANDLE, DOMED RUBBER	
5	D4000	CHINCUP QTRONIX	

MICROSERIES JOYSTICKS MICRO PILOT/MICRO GUIDE IN BULLET TRAY

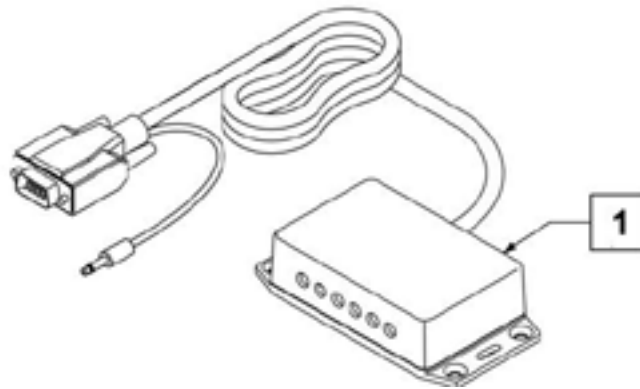


Pos.	Item Number	Description	Remarks
1A,15-18	MP	SWITCH IT MICROPILOT JOYSTICK	Includes Knob Covers
1B,15-18	MG	SWITCH IT MICROGUIDE JOYSTICK	Includes Knob Covers
2	244005	ADAPTOR, 5/8"-3/4" SPL TUBING	Used with 5A
4	126631	3IN DOUBLE SOCKET CLAMP	
2,4,5A	MA-SA	INLINE ARMREST MOUNT	
5B	129457	BAR MOUNT W/1" BALL	
6	126633	DOUBLE BALL	
12	129776	WIRE TIE DOWN KIT	1wrap, 10 ties
13	698041	ADHESIVE POLY 1" X 2.5 MALE	
14	698045	ADHESIVE POLY 1" X 2.5 FEMALE	
3,7,8	BT	BULLET TRAY HAND TRAY	
6,9-11	MC-SA-BT-TD2	CONNECTOR - TD2 & BT TO ARMRES	
2-4,5A,6-11	BT-SA	ARMREST MOUNT WITH BULLET TRAY	
15-18	129436	STANDARD KNOBS AND COVERS	

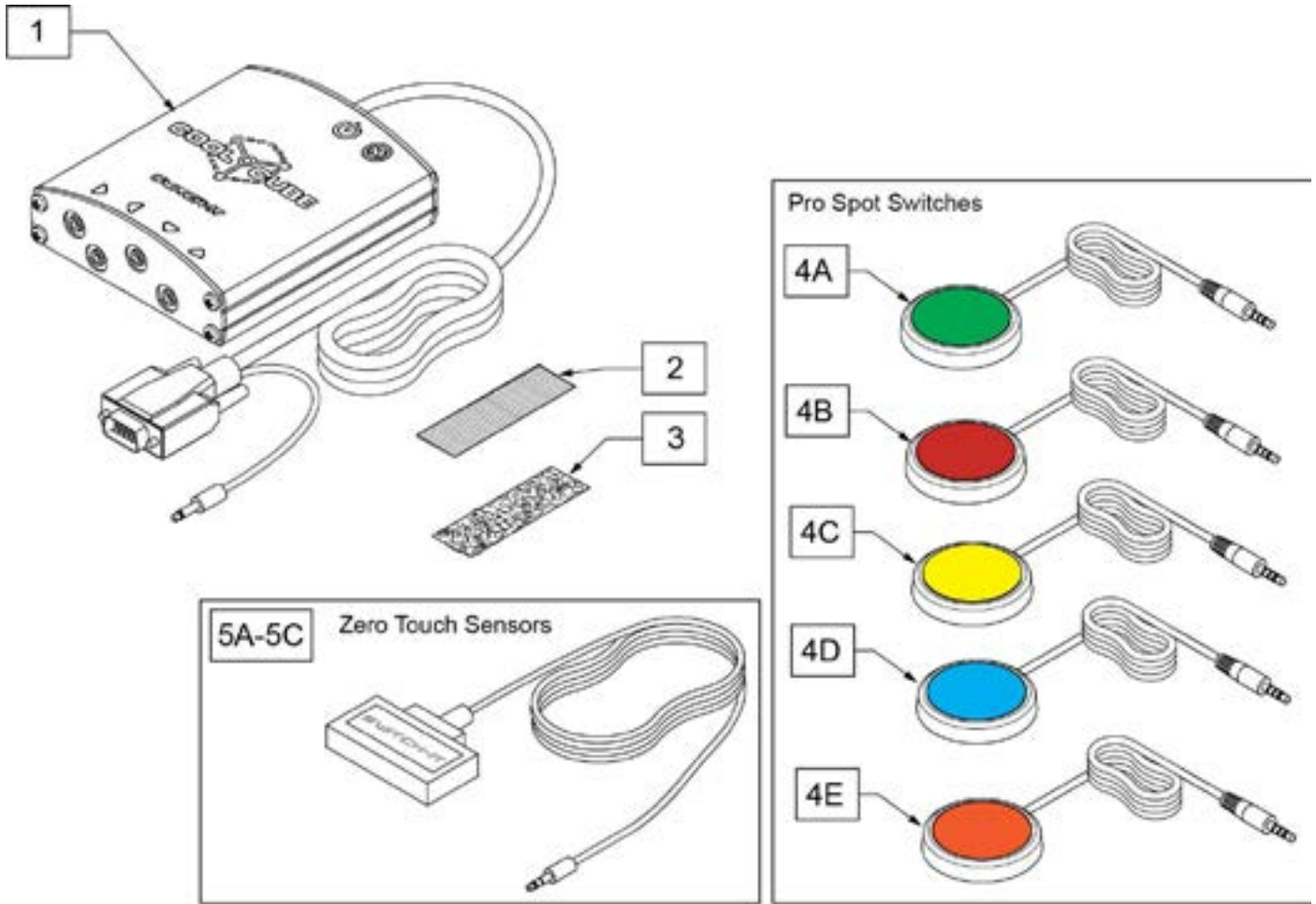
TOUGH JOYSTICKS



Pos.	Item Number	Description	Remarks
1A	TJS-4	SWITCH IT TOUGH JOYSTICK	4-Way Switched
1B	TJS-8	SWITCH IT TOUGH JOYSTICK	8-Way Switched



Pos.	Item Number	Description
1	SJX6	SMART JACK 6 PORTS

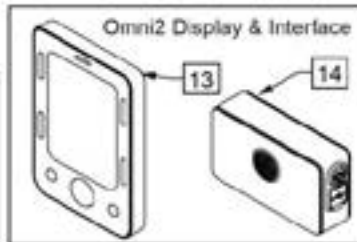
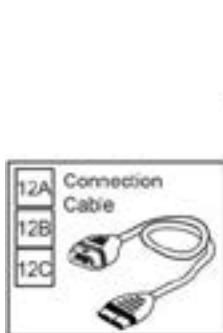
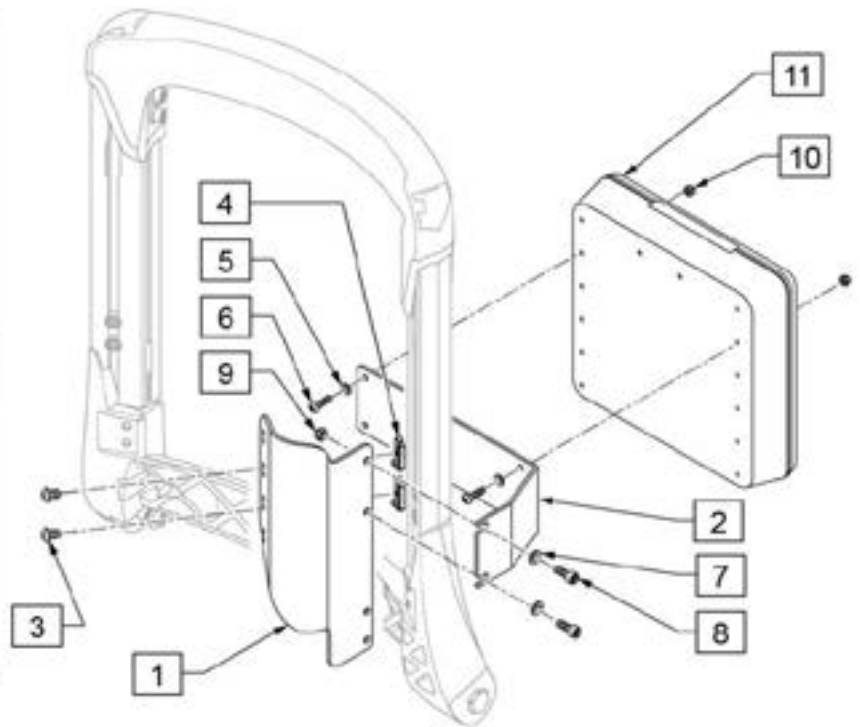
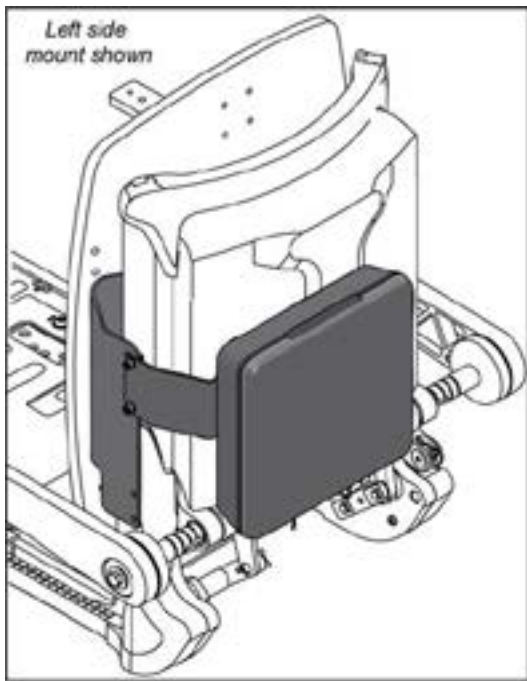


Pos.	Item Number	Description	Remarks
2	698041	ADHESIVE POLY 1" X 2.5 MALE	
3	698045	ADHESIVE POLY 1" X 2.5 FEMALE	
4A	PROSP-G	PROPORTIONAL SWITCH GREEN	
4B	PROSP-R	PROPORTIONAL SWITCH RED	
4C	PROSP-Y	PROPORTIONAL SWITCH YELLOW	
4D	PROSP-B	PROPORTIONAL SWITCH BLUE	
4E	PROSP-O	PROPORTIONAL SWITCH ORANGE	
5A	ZTS5-S	ZERO TOUCH SENSOR, 5MM, STEREO	Cable length: 40"
5B	ZTS10-S	PROX SW 10MM WITH STEREO PLUG	Cable length: 40"
5C	ZTS10-STD-S	STD PROX SW 10MM STEREO PLUG	Cable length: 40"
1-3	CCB	COOL CUBE ONLY	
1-3,4A-4D	CCB-4PS	COOLCUBE HUB W/4 PRO SPOT	includes qty 4 ProSpot Switches: Green, Red, Yellow, Blue
1-3,4A-4E	CCB-5PS	COOLCUBE HUB W/5 PRO SPOT	includes qty 5 ProSpot Switches: Green, Red, Yellow, Blue, Orange
1-3,5A	CCB-4ZTS	SWI 4-ZERO TOUCH SYSTEM	includes qty 4 Zero Touch Sensors
1-3,5A	CCB-5ZTS	SWI 5-ZERO TOUCH SYSTEM	includes qty 5 Zero Touch Sensors

Note: if retrofitting Omni2, order Bag Mounting Kit (p/n's 163631 or 163633), Omni2 Display & Interface (p/n 163611), R-Net BUS Cable (p/n 20011035), and Omni2 Bag (p/n 22709140); see Omni2 Display parts pages for appropriate Display mounting parts.

Note: Omni2 only compatible with CTRL+5 Push Button Rev D or newer & CTRL+5 Toggle Rev E or newer.

Note: when replacing an Omni 2 Display with Firmware version .01 or .02, BOTH Display and Interface will be required, OR when replacing an Omni2 Interface with Firmware .01/.02 or .03, BOTH Display and Interface will be required.



17 OMNI2 HRDWR BAG MNT PRO FIX LR			
ITEM #	ILLUSTRATION	DESCRIPTION	QTY
3		BHCS M5X1X12	4
4		CLAMP NUT PROFILE	2
5		WASHER M5	2
6		M5-8X20 MM BH C2B	2
7		WASHER FLAT M6	2
8		SHCS, M6X1X16, FULL PL	2
9		NUT HEX NYLOCK	2
10		NUT HEX NYLOCK M5 BLACK	2

Pos.	Item Number	Description	Remarks
11,15	22709140	OMNI 2 CNTRL PORT BAG ASSEMBLY	Includes Charging Cable & Velcro
12A	20011236-150	OMNI 2 DISP CONN CABLE 1500 MM	59"
12B	20011236-200	OMNI 2 DISP CONN CABLE 2000 MM	79"
12C	20011236-250	OMNI 2 DISP CONN CABLE 2500 MM	98"
13	20011231-010	OMNI2 DISPLAY WITH BLUETOOTH	Display only; see note
14	20011230-010	OMNI2 INTERFACE WITH USB	Interface only; see note
12B,13,14	163611	OMNI2 WITH BLUETOOTH AND USB	Includes Display, Interface & 2000mm Connection Cable
15	163628	OMNI2 GPP CHRГ CABLE ASSM	Kit includes Cable Extension & mounting hardware
16	20011035	R-NET BUS CABLE	Connects Interface to Chair; 300mm
17	163632	OMNI2 HRDWR BAG MNT PRO FIX LR	Hardware for Left or Right Mount; kit includes items 3-10
1-10	163633	OMNI2 UPGRD BAG MNT PRO FIX R	Right
1-10	163631	OMNI2 UPGRD BAG MNT PRO FIX L	Left

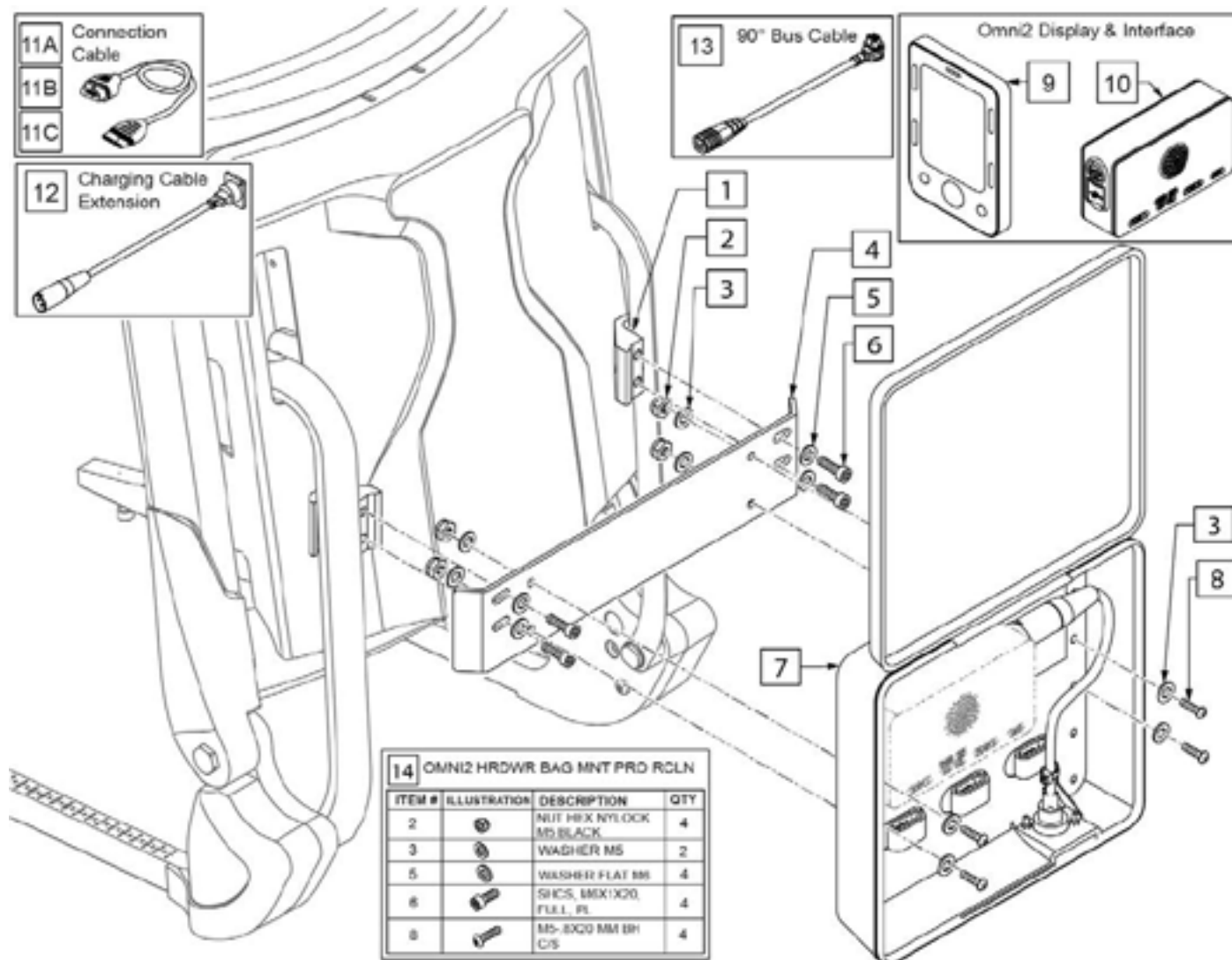
Note: not compatible with Link-It Chin Booms.

Note: for Sedeo Pro Chairs with Vent and/or O2 Holder, see OMNI2 FOR SEDEO PRO VENT MOUNT parts page.

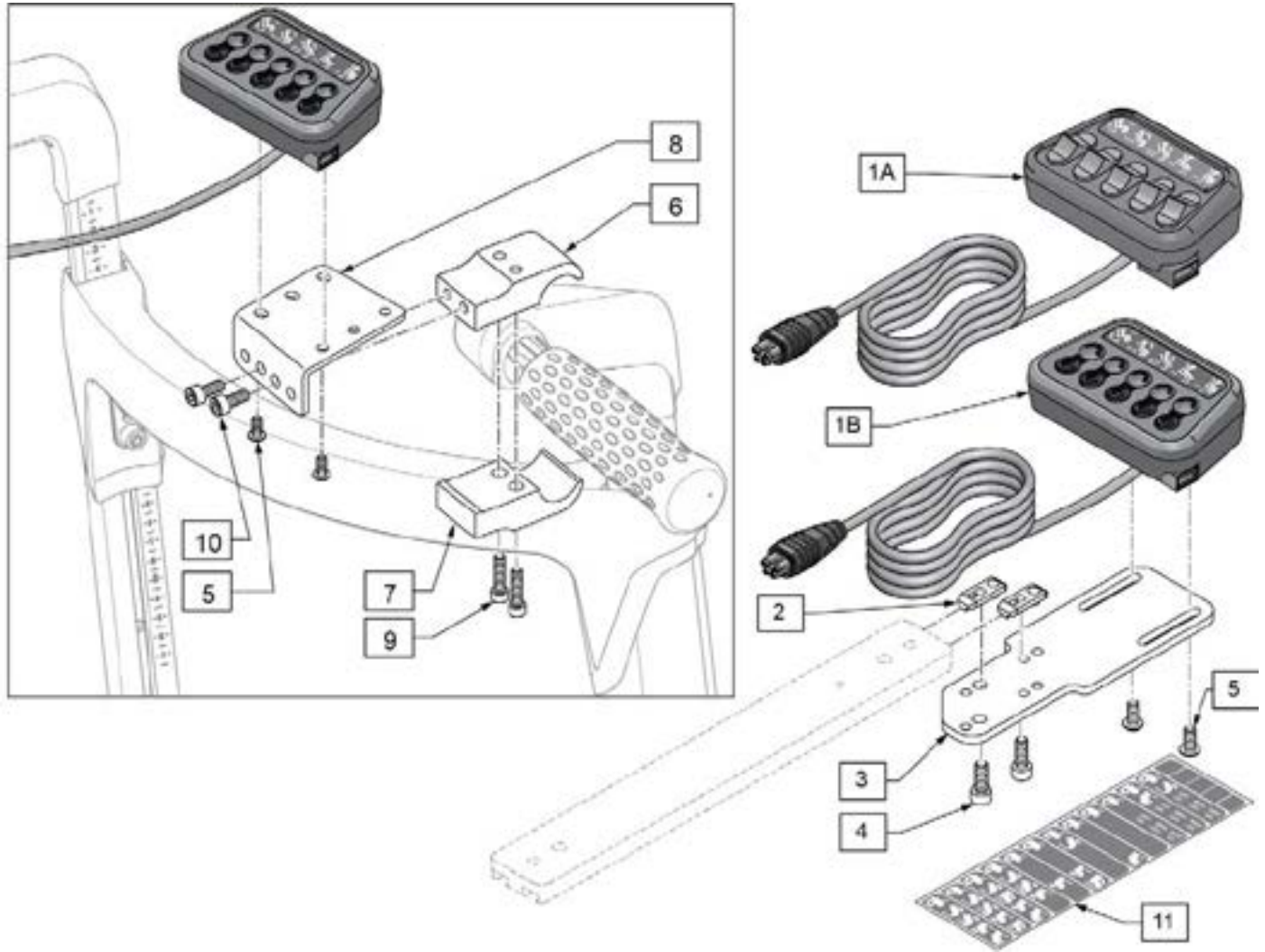
Note: if retrofitting Omni2, order Bag Mounting Kit (p/n 163629), Omni2 Display & Interface (p/n 163611), R-Net BUS Cable (p/n 20011035), and Omni2 Bag (p/n 22709140); see Omni2 Display parts pages for appropriate Display mounting parts.

Note: Omni2 only compatible with CTRL+5 Push Button Rev D or newer & CTRL+5 Toggle Rev E or newer.

Note: when replacing an Omni 2 Display with Firmware version .01 or .02, BOTH Display and Interface will be required, OR when replacing an Omni2 Interface with Firmware .01/.02 or .03, BOTH Display and Interface will be required.

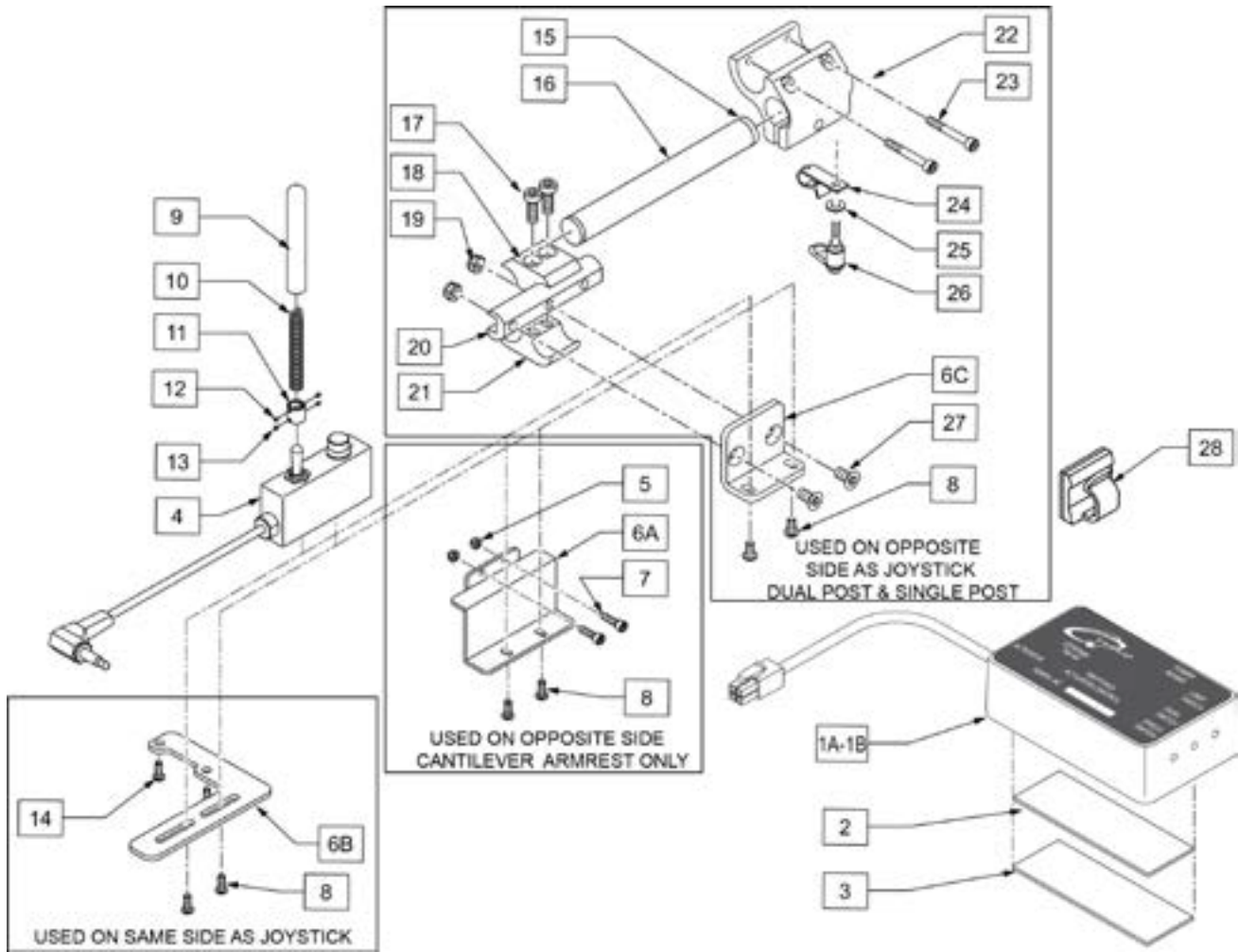


Pos.	Item Number	Description	Remarks
7,12	22709140	OMNI 2 CNTRL PORT BAG ASSEMBLY	Includes Charging Cable & Velcro
9	20011231-010	OMNI2 DISPLAY WITH BLUETOOTH	Display only; see note
10	20011230-010	OMNI2 INTERFACE WITH USB	Interface only; see note
9,10,11B	163611	OMNI2 WITH BLUETOOTH AND USB	Includes Display, Interface & 2000mm Connection Cable
11A	20011236-150	OMNI 2 DISP CONN CABLE 1500 MM	59"
11B	20011236-200	OMNI 2 DISP CONN CABLE 2000 MM	79"
11C	20011236-250	OMNI 2 DISP CONN CABLE 2500 MM	98"
12	163628	OMNI2 GPP CHRGR CABLE ASSM	Kit includes Cable Extension & mounting hardware
13	20011035	R-NET BUS CABLE	Connects Interface to Chair; 300mm
14	163630	OMNI2 HRDWR BAG MNT PRO RCLN	Kit includes items 2,3,5,6,8
1-6,8	163629	OMNI2 UPGRD BAG MNT PRO RCLN	Includes items in kit 14 and items 1 & 4



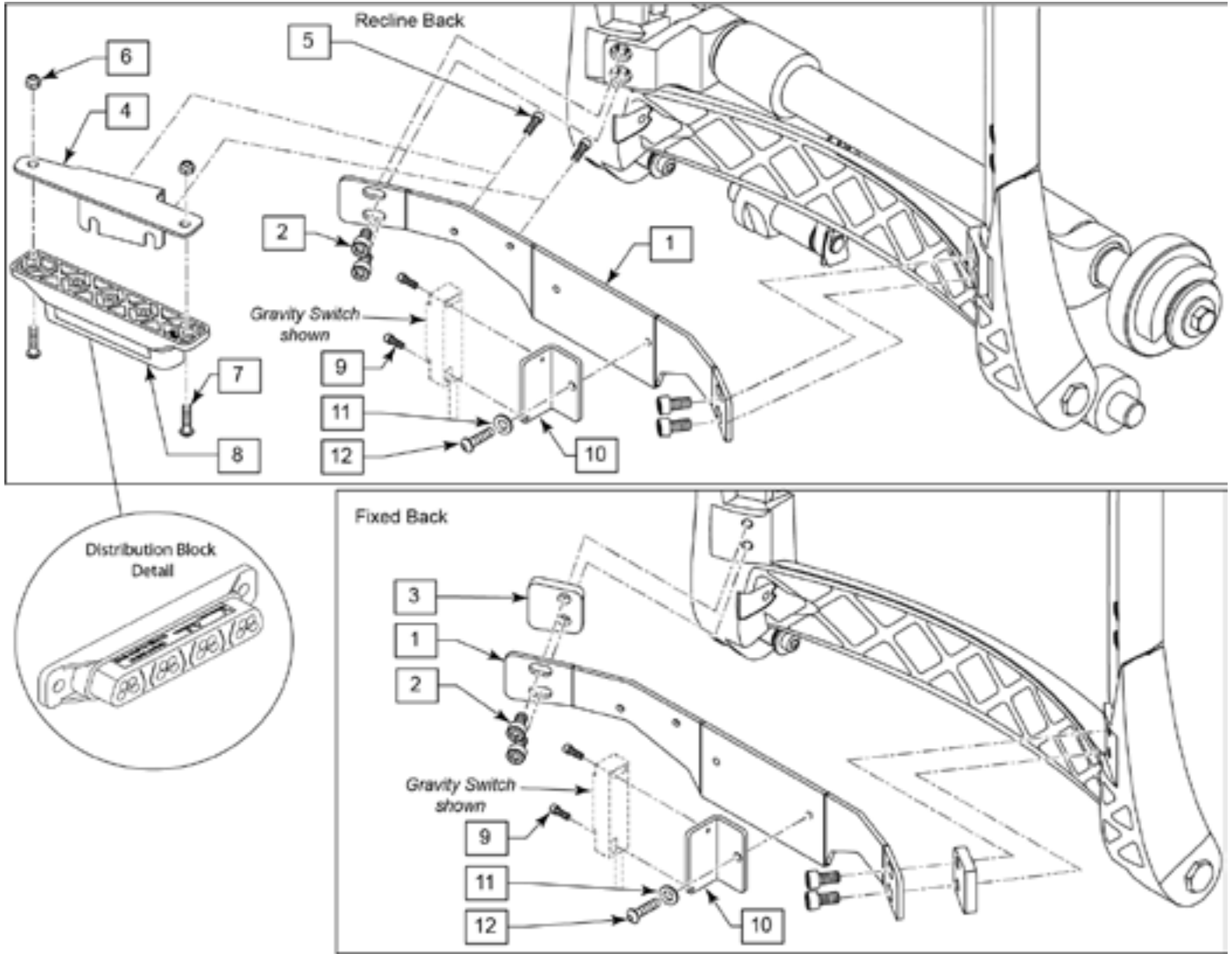
Pos.	Item Number	Description	Remarks
1A,11	158708	CONTROL PLUS 5 TOGGLE	
1B,11	158709	CONTROL PLUS 5 BUTTON	
2	9003177	CLAMP NUT PROFILES	
3	248603	CTRL5 MOUNTING BRACKET	
5	103184-003	BHCS,M5X0.8X10,FULL,PL	
6	131245	UNIV CLAMP THREADED .875"	
7	131244	UNIV CLAMP NON THREADED .875"	
8	248531	ATTD CTRL MNT RH	Right
8	248530	ATTD CTRL MNT LH	Left
5,9,10	158698	ATTENDANT CNTRL MNT FASTENERS	
11	MK-100218	CTRL +5 OPTION LABEL	
5-10	163408	PRO ATTENDANT CNTRL MNT RH	Right; also used on CTRL +5
5-10	163409	PRO ATTENDANT CNTRL MNT LH	Left; also used on CTRL +5
2-4	163419	CTRL +5 OPP SIDE MOUNT	

TOGGLE SWITCH ASSEMBLIES

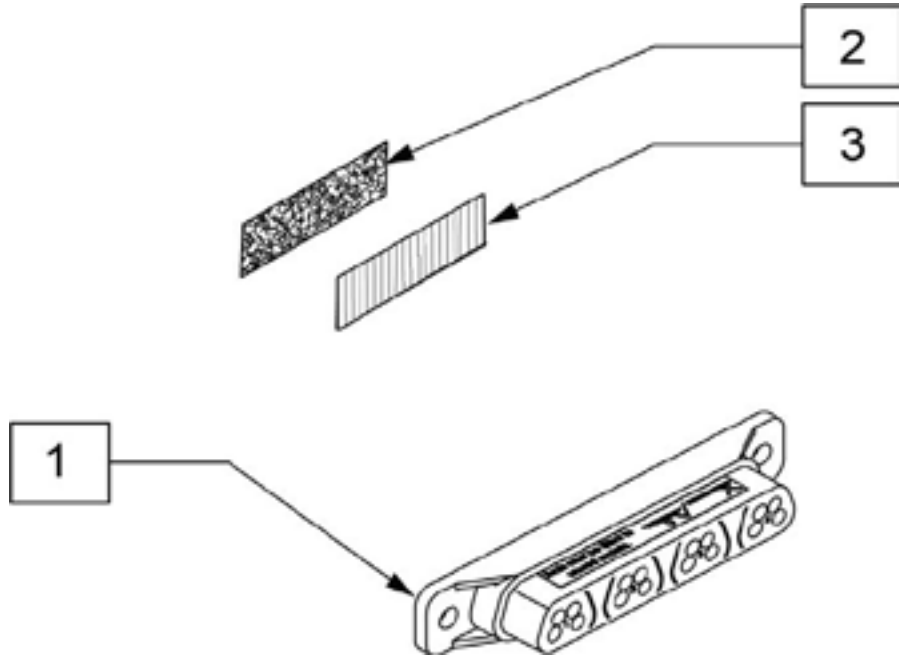


Pos.	Item Number	Description	Remarks
1A-3	110838	TM40 7AMP W/ VELCRO	Use for tilt
1B-3	120591	TM40 4.5AMP W/ VELCRO	Use for lift
2	102340	POLYLOCK FEMALE 3" X 1"	
3	102341	POLYLOCK MALE 3" X 1"	
4	102181	SWITCH DUAL TOGGLE W DISABLE	
5	220121	NUT HEX NYLOCK M5 BLACK	
6A	102811	MOUNT TOGGLE SWITCH Mounts	Toggle to non-Joystick side
6B	108556	DRCT ACT SWTCH MNT RNET	Mounts Toggle to Joystick side
6C	101468	DAS MOUNT ADAPTER	
7	102260-001	SHCS M5X0.8X18 FULL NP	
8	013143	BHCS M5 X .8 X 14 BLK W/PL	
9	560305	4 X .375 ID X .125 FOAM GRIP	
10	321104	SPRING .38 ODX2.85-TILT SWITCH	
11	341125	COUPLER -TILT SWITCH	
12	225106	4-40 X 1/8 SET SCREW BLK	
13	225105	4-40 X 1/16 SET SCREW BLK	
14	102259-002	BHCS M5 X .8 X 20 W/PL INORG	Used to mount to Joystick
15	560761	3/4" INSERT PLUG .049 (18GA)	
16	520231	REMOTE BOX MOUNT TUBE Q-TRONIX	
17	107032	1/4-28 X 1 SOC C/S BLK	
18	550724	CLAMP 3/4"-3/4"TOP HALF ST/DT	
19	106934	1/4-28 NYLOCK NUT	
20	550374	WHL LCK SLIDE BLOCK 3 1/2" BLK	3.5" long

Pos.	Item Number	Description	Remarks
21	550725	CLAMP 3/4"-3/4"THRD HALF ST/DT	
22	501750	CONTROL ARM CLAMP	
23	102260-003	SHCS M5X0.8X35 PART NP	
24	560268	QUICK RELEASE CLIP	
25	011024	M5 FLAT WASHER LARGE OD	
26	011049	HANDLE ADJ MODERN M5 X 20 STUD	
27	226105	1/4-28 X 3/4 FH C/S BLK	
28	560794	CABLE HOLDER BLACK W/ADHESIVE	
9-13	110839	TOGGLE HANDLE ASSM	
6B,8,14	110840	TOGGLE MOUNT JOYSICK SIDE	Toggle Mounts to Joystick side
5,6A,7,8	110841	TOGGLE MOUNT NON JOYSICK SIDE	Toggle Mounts to non-Joystick side for Cantilever Armrest
1A-14	110842	TOGGLE RETRO KIT	Used for Tilt. Includes parts to add a toggle. Includes both mounting kits.
1B-14	120592	TOGGLE RETRO KIT 4.5AMP	Used for Lift. Includes parts to add a toggle. Includes both mounting kits.
6C,8,15-27	120197	TOGGLE MOUNT ASSM FOR JOYSTICK	Toggle Mounts to non-Joystick side w/dual post and single post armrest

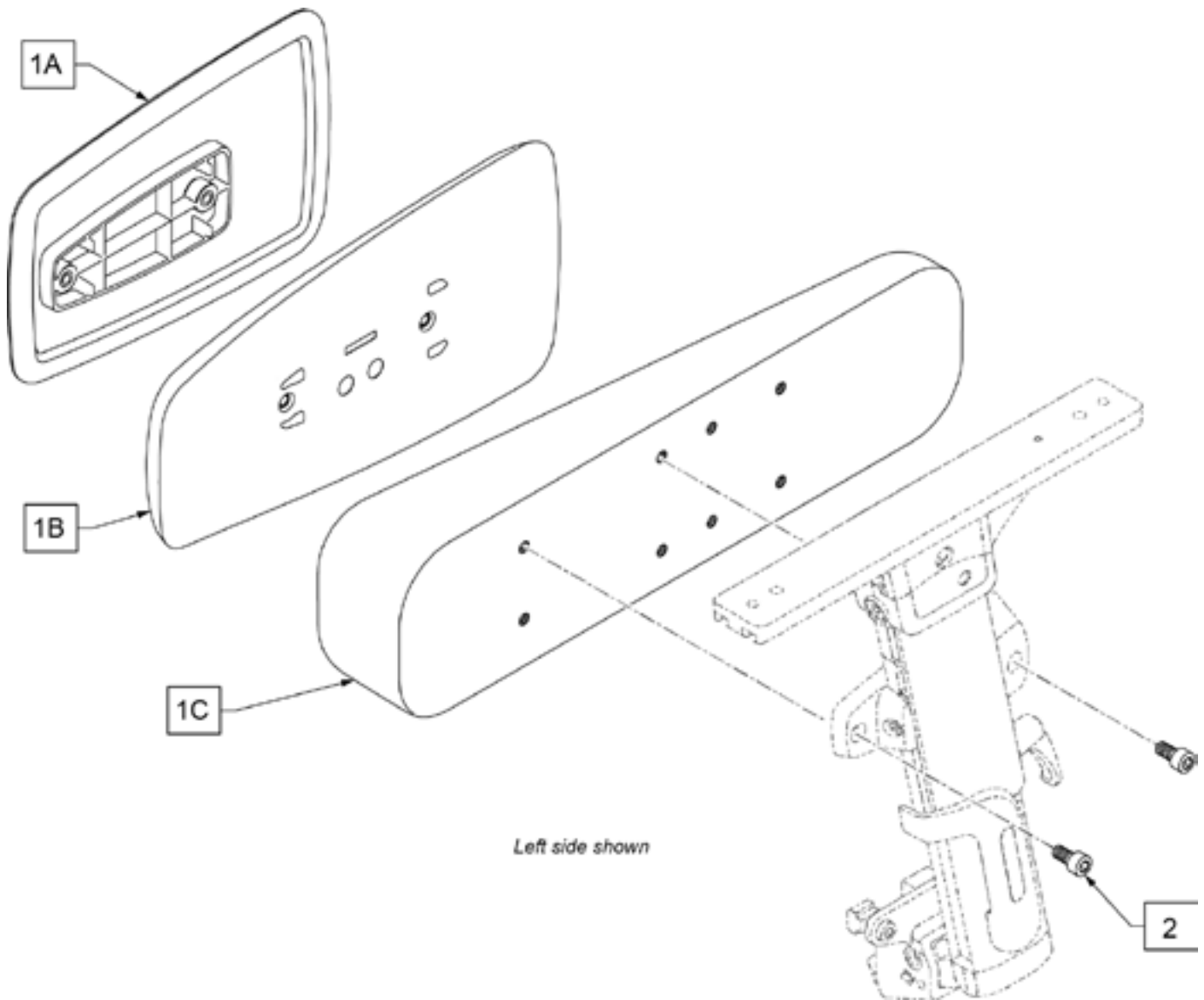


Pos.	Item Number	Description	Remarks
1	248508	STABILITY MODULE BRACKET	
2	104522	SHCS,M6X1X16,FULL,PL	
3	248720	SPACER	used for Fixed Back
4	249035	BRACKET DISTRIBUTION BLOCK	
5	103042	SHCS, M5 X .8 X 8, FULL PL	
6	210084	NUT HEX NYLOCK M6	
7	103185-005	BHCS, M6 X 1 X 12, FUL, PL	
8	108312	DISTRIBUTION BLOCK	
1-8	163495	DIST BLOCK MOUNT ASSM	
9	249079	SHCS M3X.05X12	
10	249036	TILT SWITCH MNT 165 DEG	
11	124956	WASHER M5	
12	103184-003	BHCS,M5X0.8X10,FULL,PL	



Pos.	Item Number	Description
1	108312	DISTRIBUTION BLOCK
2	698045	ADHESIVE POLY 1" X 2.5 FEMALE
3	698041	ADHESIVE POLY 1" X 2.5 MALE

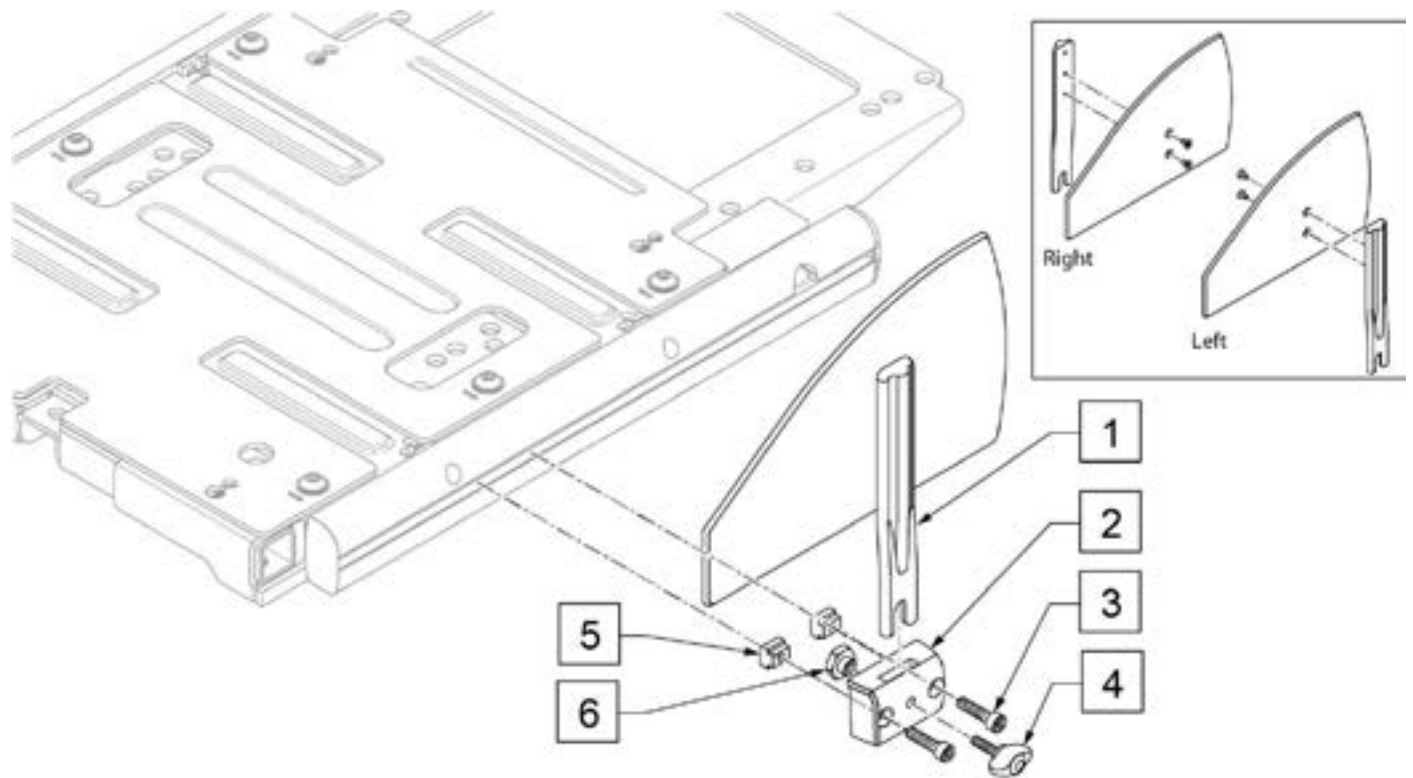
Note: only available with Single Post Removable Armrest.



Pos.	Item Number	Description	Remarks
1A	9003228	SIDE SUPPORT	Standard
1B	9003229	SIDE SUPPORT PU	Integral Foam
1C	9005803	WEDGED SHAPED CUSHION	Wedge Shaped, Padded
2	103132	M6X1.0 X 10MM DIN 912 SOCKET HD CAP SCREW	

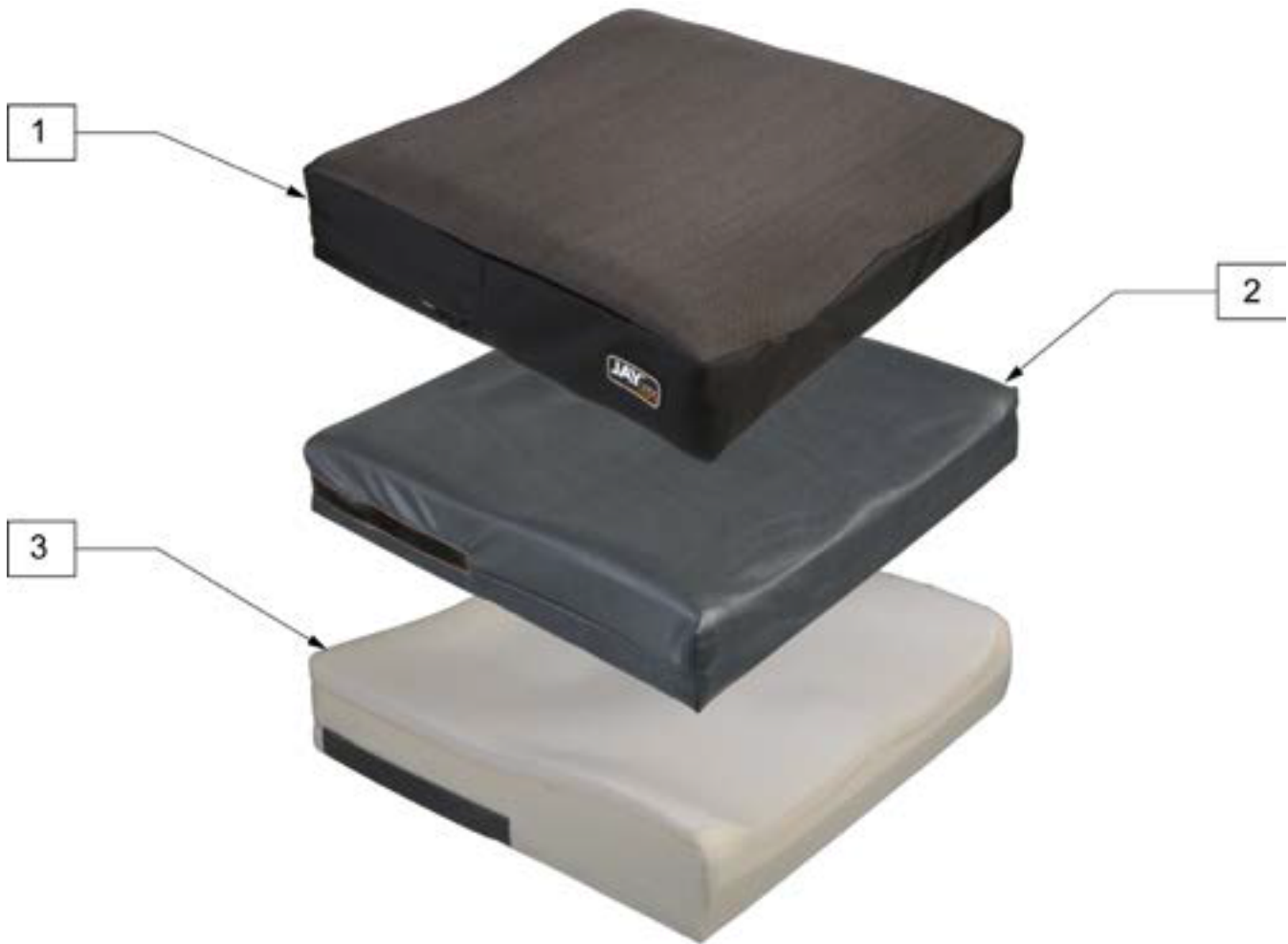
Note: not available on chairs with both Lateral Thigh Support and 2 Point Locking Armrest.

Note: only available with Reclining Armrest.



Pos.	Item Number	Description	Remarks
1	163439	SIDE GUARD PLATE SEDEO	Loose parts; assemble Right or Left
2-6	163441	SIDE GRD PLATE SEDEO FASTENERS	
1-6	22504035-002	SIDE GUARD RECEIVER ASSY RIGHT	Right
1-6	22504035-001	SIDE GUARD RECEIVER ASSY LEFT	Left

JAY ION CUSHION



Pos.	Item Number	Description	Remarks
1	CJI1414	COVER OUTER ION 14X14	
1	CJI1415	COVER OUTER ION 14X15	
1	CJI1416	COVER OUTER ION 14X16	
1	CJI1417	COVER OUTER ION 14X17	
1	CJI1418	COVER OUTER ION 14X18	
1	CJI1514	COVER OUTER ION 15X14	
1	CJI1515	COVER OUTER ION 15X15	
1	CJI1516	COVER OUTER ION 15X16	
1	CJI1517	COVER OUTER ION 15X17	
1	CJI1518	COVER OUTER ION 15X18	
1	CJI1519	COVER OUTER ION 15X19	
1	CJI1520	COVER OUTER ION 15X20	
1	CJI1521	COVER OUTER ION 15X21	
1	CJI1614	COVER OUTER ION 16X14	
1	CJI1615	COVER OUTER ION 16X15	
1	CJI1616	COVER OUTER ION 16X16	
1	CJI1617	COVER OUTER ION 16X17	
1	CJI1618	COVER OUTER ION 16X18	
1	CJI1619	COVER OUTER ION 16X19	
1	CJI1620	COVER OUTER ION 16X20	
1	CJI1621	COVER OUTER ION 16X21	
1	CJI1622	COVER OUTER ION 16X22	
1	CJI1714	COVER OUTER ION 17X14	

Pos.	Item Number	Description	Remarks
1	CJI1715	COVER OUTER ION 17X15	
1	CJI1716	COVER OUTER ION 17X16	
1	CJI1717	COVER OUTER ION 17X17	
1	CJI1718	COVER OUTER ION 17X18	
1	CJI1719	COVER OUTER ION 17X19	
1	CJI1720	COVER OUTER ION 17X20	
1	CJI1721	COVER OUTER ION 17X21	
1	CJI1722	COVER OUTER ION 17X22	
1	CJI1723	COVER OUTER ION 17X23	
1	CJI1814	COVER OUTER ION 18X14	
1	CJI1815	COVER OUTER ION 18X15	
1	CJI1816	COVER OUTER ION 18X16	
1	CJI1817	COVER OUTER ION 18X17	
1	CJI1818	COVER OUTER ION 18X18	
1	CJI1819	COVER OUTER ION 18X19	
1	CJI1820	COVER OUTER ION 18X20	
1	CJI1821	COVER OUTER ION 18X21	
1	CJI1822	COVER OUTER ION 18X22	
1	CJI1823	COVER OUTER ION 18X23	
1	CJI1824	COVER OUTER ION 18X24	
1	CJI1915	COVER OUTER ION 19X15	
1	CJI1916	COVER OUTER ION 19X16	
1	CJI1917	COVER OUTER ION 19X17	
1	CJI1918	COVER OUTER ION 19X18	
1	CJI1919	COVER OUTER ION 19X19	
1	CJI1920	COVER OUTER ION 19X20	
1	CJI1921	COVER OUTER ION 19X21	
1	CJI1922	COVER OUTER ION 19X22	
1	CJI1923	COVER OUTER ION 19X23	
1	CJI1924	COVER OUTER ION 19X24	
1	CJI2015	COVER OUTER ION 20X15	
1	CJI2016	COVER OUTER ION 20X16	
1	CJI2017	COVER OUTER ION 20X17	
1	CJI2018	COVER OUTER ION 20X18	
1	CJI2019	COVER OUTER ION 20X19	
1	CJI2020	COVER OUTER ION 20X20	
1	CJI2021	COVER OUTER ION 20X21	
1	CJI2022	COVER OUTER ION 20X22	
1	CJI2023	COVER OUTER ION 20X23	
1	CJI2024	COVER OUTER ION 20X24	
1	CJI2117	COVER OUTER ION 21X17	
1	CJI2118	COVER OUTER ION 21X18	
1	CJI2119	COVER OUTER ION 21X19	
1	CJI2120	COVER OUTER ION 21X20	
1	CJI2121	COVER OUTER ION 21X21	
1	CJI2122	COVER OUTER ION 21X22	
1	CJI2123	COVER OUTER ION 21X23	
1	CJI2124	COVER OUTER ION 21X24	
1	CJI2217	COVER OUTER ION 22X17	
1	CJI2218	COVER OUTER ION 22X18	
1	CJI2219	COVER OUTER ION 22X19	
1	CJI2220	COVER OUTER ION 22X20	
1	CJI2221	COVER OUTER ION 22X21	
1	CJI2222	COVER OUTER ION 22X22	
1	CJI2223	COVER OUTER ION 22X23	
1	CJI2224	COVER OUTER ION 22X24	
1	CJI2319	COVER OUTER ION 23X19	
1	CJI2320	COVER OUTER ION 23X20	

Pos.	Item Number	Description	Remarks
1	CJI2321	COVER OUTER ION 23X21	
1	CJI2322	COVER OUTER ION 23X22	
1	CJI2323	COVER OUTER ION 23X23	
1	CJI2324	COVER OUTER ION 23X24	
1	CJI2419	COVER OUTER ION 24X19	
1	CJI2420	COVER OUTER ION 24X20	
1	CJI2421	COVER OUTER ION 24X21	
1	CJI2422	COVER OUTER ION 24X22	
1	CJI2423	COVER OUTER ION 24X23	
1	CJI2424	COVER OUTER ION 24X24	
2	ICJI1414	COVER INNER ION 14X14	
2	ICJI1415	COVER INNER ION 14X15	
2	ICJI1416	COVER INNER ION 14X16	
2	ICJI1417	COVER INNER ION 14X17	
2	ICJI1418	COVER INNER ION 14X18	
2	ICJI1514	COVER INNER ION 15X14	
2	ICJI1515	COVER INNER ION 15X15	
2	ICJI1516	COVER INNER ION 15X16	
2	ICJI1517	COVER INNER ION 15X17	
2	ICJI1518	COVER INNER ION 15X18	
2	ICJI1519	COVER INNER ION 15X19	
2	ICJI1520	COVER INNER ION 15X20	
2	ICJI1521	COVER INNER ION 15X21	
2	ICJI1614	COVER INNER ION 16X14	
2	ICJI1615	COVER INNER ION 16X15	
2	ICJI1616	COVER INNER ION 16X16	
2	ICJI1617	COVER INNER ION 16X17	
2	ICJI1618	COVER INNER ION 16X18	
2	ICJI1619	COVER INNER ION 16X19	
2	ICJI1620	COVER INNER ION 16X20	
2	ICJI1621	COVER INNER ION 16X21	
2	ICJI1622	COVER INNER ION 16X22	
2	ICJI1714	COVER INNER ION 17X14	
2	ICJI1715	COVER INNER ION 17X15	
2	ICJI1716	COVER INNER ION 17X16	
2	ICJI1717	COVER INNER ION 17X17	
2	ICJI1718	COVER INNER ION 17X18	
2	ICJI1719	COVER INNER ION 17X19	
2	ICJI1720	COVER INNER ION 17X20	
2	ICJI1721	COVER INNER ION 17X21	
2	ICJI1722	COVER INNER ION 17X22	
2	ICJI1723	COVER INNER ION 17X23	
2	ICJI1814	COVER INNER ION 18X14	
2	ICJI1815	COVER INNER ION 18X15	
2	ICJI1816	COVER INNER ION 18X16	
2	ICJI1817	COVER INNER ION 18X17	
2	ICJI1818	COVER INNER ION 18X18	
2	ICJI1819	COVER INNER ION 18X19	
2	ICJI1820	COVER INNER ION 18X20	
2	ICJI1821	COVER INNER ION 18X21	
2	ICJI1822	COVER INNER ION 18X22	
2	ICJI1823	COVER INNER ION 18X23	
2	ICJI1824	COVER INNER ION 18X24	
2	ICJI1915	COVER INNER ION 19X15	
2	ICJI1916	COVER INNER ION 19X16	
2	ICJI1917	COVER INNER ION 19X17	
2	ICJI1918	COVER INNER ION 19X18	
2	ICJI1919	COVER INNER ION 19X19	

Pos.	Item Number	Description	Remarks
2	ICJ1920	COVER INNER ION 19X20	
2	ICJ1921	COVER INNER ION 19X21	
2	ICJ1922	COVER INNER ION 19X22	
2	ICJ1923	COVER INNER ION 19X23	
2	ICJ1924	COVER INNER ION 19X24	
2	ICJ2015	COVER INNER ION 20X15	
2	ICJ2016	COVER INNER ION 20X16	
2	ICJ2017	COVER INNER ION 20X17	
2	ICJ2018	COVER INNER ION 20X18	
2	ICJ2019	COVER INNER ION 20X19	
2	ICJ2020	COVER INNER ION 20X20	
2	ICJ2021	COVER INNER ION 20X21	
2	ICJ2022	COVER INNER ION 20X22	
2	ICJ2023	COVER INNER ION 20X23	
2	ICJ2024	COVER INNER ION 20X24	
2	ICJ2117	COVER INNER ION 21X17	
2	ICJ2118	COVER INNER ION 21X18	
2	ICJ2119	COVER INNER ION 21X19	
2	ICJ2120	COVER INNER ION 21X20	
2	ICJ2121	COVER INNER ION 21X21	
2	ICJ2122	COVER INNER ION 21X22	
2	ICJ2123	COVER INNER ION 21X23	
2	ICJ2124	COVER INNER ION 21X24	
2	ICJ2217	COVER INNER ION 22X17	
2	ICJ2218	COVER INNER ION 22X18	
2	ICJ2219	COVER INNER ION 22X19	
2	ICJ2220	COVER INNER ION 22X20	
2	ICJ2221	COVER INNER ION 22X21	
2	ICJ2222	COVER INNER ION 22X22	
2	ICJ2223	COVER INNER ION 22X23	
2	ICJ2224	COVER INNER ION 22X24	
2	ICJ2319	COVER INNER ION 23X19	
2	ICJ2320	COVER INNER ION 23X20	
2	ICJ2321	COVER INNER ION 23X21	
2	ICJ2322	COVER INNER ION 23X22	
2	ICJ2323	COVER INNER ION 23X23	
2	ICJ2324	COVER INNER ION 23X24	
2	ICJ2419	COVER INNER ION 24X19	
2	ICJ2420	COVER INNER ION 24X20	
2	ICJ2421	COVER INNER ION 24X21	
2	ICJ2422	COVER INNER ION 24X22	
2	ICJ2423	COVER INNER ION 24X23	
2	ICJ2424	COVER INNER ION 24X24	
3	BJI1414	BASE FOAM JAY ION 14X14	
3	BJI1415	BASE FOAM JAY ION 14X15	
3	BJI1416	BASE FOAM JAY ION 14X16	
3	BJI1417	BASE FOAM JAY ION 14X17	
3	BJI1418	BASE FOAM JAY ION 14X18	
3	BJI1514	BASE FOAM JAY ION 15X14	
3	BJI1515	BASE FOAM JAY ION 15X15	
3	BJI1516	BASE FOAM JAY ION 15X16	
3	BJI1517	BASE FOAM JAY ION 15X17	
3	BJI1518	BASE FOAM JAY ION 15X18	
3	BJI1519	BASE FOAM JAY ION 15X19	
3	BJI1520	BASE FOAM JAY ION 15X20	
3	BJI1521	BASE FOAM JAY ION 15X21	
3	BJI1614	BASE FOAM JAY ION 16X14	
3	BJI1615	BASE FOAM JAY ION 16X15	

Pos.	Item Number	Description	Remarks
3	BJI1616	BASE FOAM JAY ION 16X16	
3	BJI1617	BASE FOAM JAY ION 16X17	
3	BJI1618	BASE FOAM JAY ION 16X18	
3	BJI1619	BASE FOAM JAY ION 16X19	
3	BJI1620	BASE FOAM JAY ION 16X20	
3	BJI1621	BASE FOAM JAY ION 16X21	
3	BJI1622	BASE FOAM JAY ION 16X22	
3	BJI1714	BASE FOAM JAY ION 17X14	
3	BJI1715	BASE FOAM JAY ION 17X15	
3	BJI1716	BASE FOAM JAY ION 17X16	
3	BJI1717	BASE FOAM JAY ION 17X17	
3	BJI1718	BASE FOAM JAY ION 17X18	
3	BJI1719	BASE FOAM JAY ION 17X19	
3	BJI1720	BASE FOAM JAY ION 17X20	
3	BJI1721	BASE FOAM JAY ION 17X21	
3	BJI1722	BASE FOAM JAY ION 17X22	
3	BJI1723	BASE FOAM JAY ION 17X23	
3	BJI1814	BASE FOAM JAY ION 18X14	
3	BJI1815	BASE FOAM JAY ION 18X15	
3	BJI1816	BASE FOAM JAY ION 18X16	
3	BJI1817	BASE FOAM JAY ION 18X17	
3	BJI1818	BASE FOAM JAY ION 18X18	
3	BJI1819	BASE FOAM JAY ION 18X19	
3	BJI1820	BASE FOAM JAY ION 18X20	
3	BJI1821	BASE FOAM JAY ION 18X21	
3	BJI1822	BASE FOAM JAY ION 18X22	
3	BJI1823	BASE FOAM JAY ION 18X23	
3	BJI1824	BASE FOAM JAY ION 18X24	
3	BJI1915	BASE FOAM JAY ION 19X15	
3	BJI1916	BASE FOAM JAY ION 19X16	
3	BJI1917	BASE FOAM JAY ION 19X17	
3	BJI1918	BASE FOAM JAY ION 19X18	
3	BJI1919	BASE FOAM JAY ION 19X19	
3	BJI1920	BASE FOAM JAY ION 19X20	
3	BJI1921	BASE FOAM JAY ION 19X21	
3	BJI1922	BASE FOAM JAY ION 19X22	
3	BJI1923	BASE FOAM JAY ION 19X23	
3	BJI1924	BASE FOAM JAY ION 19X24	
3	BJI2015	BASE FOAM JAY ION 20X15	
3	BJI2016	BASE FOAM JAY ION 20X16	
3	BJI2017	BASE FOAM JAY ION 20X17	
3	BJI2018	BASE FOAM JAY ION 20X18	
3	BJI2019	BASE FOAM JAY ION 20X19	
3	BJI2020	BASE FOAM JAY ION 20X20	
3	BJI2021	BASE FOAM JAY ION 20X21	
3	BJI2022	BASE FOAM JAY ION 20X22	
3	BJI2023	BASE FOAM JAY ION 20X23	
3	BJI2024	BASE FOAM JAY ION 20X24	
3	BJI2117	BASE FOAM JAY ION 21X17	
3	BJI2118	BASE FOAM JAY ION 21X18	
3	BJI2119	BASE FOAM JAY ION 21X19	
3	BJI2120	BASE FOAM JAY ION 21X20	
3	BJI2121	BASE FOAM JAY ION 21X21	
3	BJI2122	BASE FOAM JAY ION 21X22	
3	BJI2123	BASE FOAM JAY ION 21X23	
3	BJI2124	BASE FOAM JAY ION 21X24	
3	BJI2217	BASE FOAM JAY ION 22X17	
3	BJI2218	BASE FOAM JAY ION 22X18	

Pos.	Item Number	Description	Remarks
3	BJI2219	BASE FOAM JAY ION 22X19	
3	BJI2220	BASE FOAM JAY ION 22X20	
3	BJI2221	BASE FOAM JAY ION 22X21	
3	BJI2222	BASE FOAM JAY ION 22X22	
3	BJI2223	BASE FOAM JAY ION 22X23	
3	BJI2224	BASE FOAM JAY ION 22X24	
3	BJI2319	BASE FOAM JAY ION 23X19	
3	BJI2320	BASE FOAM JAY ION 23X20	
3	BJI2321	BASE FOAM JAY ION 23X21	
3	BJI2322	BASE FOAM JAY ION 23X22	
3	BJI2323	BASE FOAM JAY ION 23X23	
3	BJI2324	BASE FOAM JAY ION 23X24	
3	BJI2419	BASE FOAM JAY ION 24X19	
3	BJI2420	BASE FOAM JAY ION 24X20	
3	BJI2421	BASE FOAM JAY ION 24X21	
3	BJI2422	BASE FOAM JAY ION 24X22	
3	BJI2423	BASE FOAM JAY ION 24X23	
3	BJI2424	BASE FOAM JAY ION 24X24	

BACK CUSHION (FLEXIBLE, DEEP CONTOUR, PASSIVE)



Pos.	Item Number	Description	Remarks
-	22503537-001	SEDEO PRO BACK CUSHION FLEXIBLE DEEP CONTOUR PASSIVE, INCONTINENCE PROTECTION	SW380 BH500 mm
-	22503537-002	SEDEO PRO BACK CUSHION FLEXIBLE DEEP CONTOUR PASSIVE, INCONTINENCE PROTECTION	SW420 BH500 mm
-	22503537-003	SEDEO PRO BACK CUSHION FLEXIBLE DEEP CONTOUR PASSIVE, INCONTINENCE PROTECTION	SW460 BH500 mm
-	22503537-004	SEDEO PRO BACK CUSHION FLEXIBLE DEEP CONTOUR PASSIVE, INCONTINENCE PROTECTION	SW500 BH500 mm
-	22503537-005	SEDEO PRO BACK CUSHION FLEXIBLE DEEP CONTOUR PASSIVE, INCONTINENCE PROTECTION	SW540 BH500 mm
-	22503537-006	SEDEO PRO BACK CUSHION FLEXIBLE DEEP CONTOUR PASSIVE, INCONTINENCE PROTECTION	SW560 BH500 mm
-	22503537-007	SEDEO PRO BACK CUSHION FLEXIBLE DEEP CONTOUR PASSIVE, INCONTINENCE PROTECTION	SW380 BH560 mm
-	22503537-008	SEDEO PRO BACK CUSHION FLEXIBLE DEEP CONTOUR PASSIVE, INCONTINENCE PROTECTION	SW420 BH560 mm
-	22503537-009	SEDEO PRO BACK CUSHION FLEXIBLE DEEP CONTOUR PASSIVE, INCONTINENCE PROTECTION	SW460 BH560 mm
-	22503537-010	SEDEO PRO BACK CUSHION FLEXIBLE DEEP CONTOUR PASSIVE, INCONTINENCE PROTECTION	SW500 BH560 mm
-	22503537-011	SEDEO PRO BACK CUSHION FLEXIBLE DEEP CONTOUR PASSIVE, INCONTINENCE PROTECTION	SW540 BH560 mm
-	22503537-012	SEDEO PRO BACK CUSHION FLEXIBLE DEEP CONTOUR PASSIVE, INCONTINENCE PROTECTION	SW560 BH560 mm
1	22503537-101	SEDEO PRO BACK CUSHION FLEXIBLE DEEP CONTOUR PASSIVE, COMFORT	SW380 BH500 mm
1	22503537-102	SEDEO PRO BACK CUSHION FLEXIBLE DEEP CONTOUR PASSIVE, COMFORT	SW420 BH500 mm

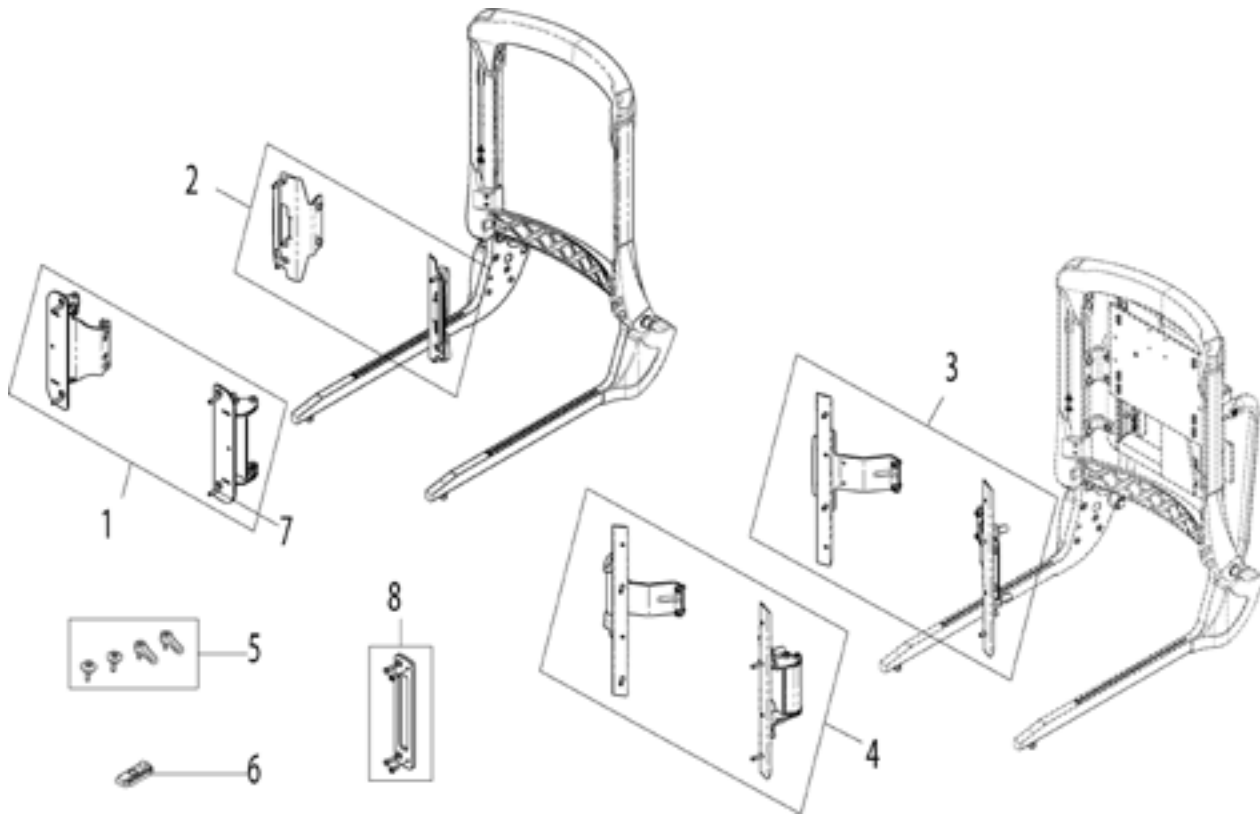
Pos.	Item Number	Description	Remarks
1	22503537-103	SEDEO PRO BACK CUSHION FLEXIBLE DEEP CONTOUR PASSIVE, COMFORT	SW460 BH500 mm
1	22503537-104	SEDEO PRO BACK CUSHION FLEXIBLE DEEP CONTOUR PASSIVE, COMFORT	SW500 BH500 mm
1	22503537-105	SEDEO PRO BACK CUSHION FLEXIBLE DEEP CONTOUR PASSIVE, COMFORT	SW540 BH500 mm
1	22503537-106	SEDEO PRO BACK CUSHION FLEXIBLE DEEP CONTOUR PASSIVE, COMFORT	SW560 BH500 mm
1	22503537-107	SEDEO PRO BACK CUSHION FLEXIBLE DEEP CONTOUR PASSIVE, COMFORT	SW380 BH560 mm
1	22503537-108	SEDEO PRO BACK CUSHION FLEXIBLE DEEP CONTOUR PASSIVE, COMFORT	SW420 BH560 mm
1	22503537-109	SEDEO PRO BACK CUSHION FLEXIBLE DEEP CONTOUR PASSIVE, COMFORT	SW460 BH560 mm
1	22503537-110	SEDEO PRO BACK CUSHION FLEXIBLE DEEP CONTOUR PASSIVE, COMFORT	SW500 BH560 mm
1	22503537-111	SEDEO PRO BACK CUSHION FLEXIBLE DEEP CONTOUR PASSIVE, COMFORT	SW540 BH560 mm
1	22503537-112	SEDEO PRO BACK CUSHION FLEXIBLE DEEP CONTOUR PASSIVE, COMFORT	SW560 BH560 mm

DOSSIER PLAQUE RIGIDE



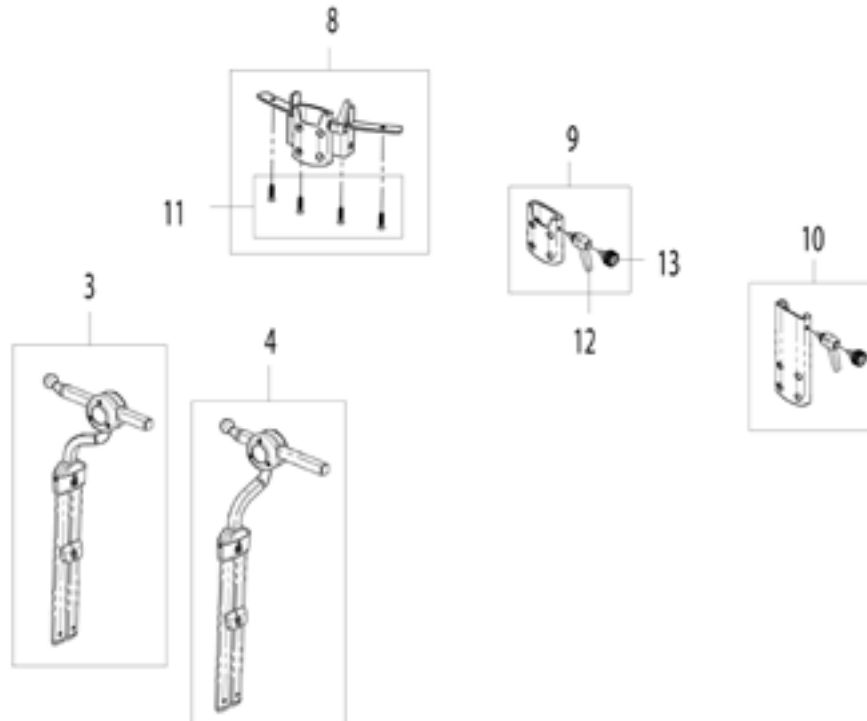
Pos.	No. D'Item	Description	Remarques
2	B3300	JBASIC BACK FOAM BASE	20x20 20x20
2	B3306	JBASIC BACK FOAM BASE	20x16 20x16
2	B3308	JBASIC BACK FOAM BASE	20x18 20x18
2	B3340	JBASIC BACK FOAM BASE	14x20 14x20
2	B3346	JBASIC BACK FOAM BASE	14x16 14x16
2	B3348	JBASIC BACK FOAM BASE	14x18 14x18
2	B3360	JBASIC BACK FOAM BASE	16x20 16x20
2	B3366	JBASIC BACK FOAM BASE	16x16 16x16
2	B3368	JBASIC BACK FOAM BASE	16x18 16x18
2	B3380	JBASIC BACK FOAM BASE	18x20 18x20
2	B3386	JBASIC BACK FOAM BASE	18x16 18x16
2	B3388	JBASIC BACK FOAM BASE	18x18 18x18
3	C3300FC	JBASIC BACK COVER	20x20 20x20
3	C3306FC	JBASIC BACK COVER	20x16 20x16
3	C3308FC	JBASIC BACK COVER	20x18 20x18
3	C3340FC	JBASIC BACK COVER	14x20 14x20
3	C3346FC	JBASIC BACK COVER	14x16 14x16
3	C3348FC	JBASIC BACK COVER	14x18 14x18
3	C3360FC	JBASIC BACK COVER	16x20 16x20
3	C3366FC	JBASIC BACK COVER	16x16 16x16
3	C3368FC	JBASIC BACK COVER	16x18 16x18
3	C3380FC	JBASIC BACK COVER	18x20 18x20
3	C3386FC	JBASIC BACK COVER	18x16 18x16
3	C3388FC	JBASIC BACK COVER	18x18 18x18
6	JBHDWUL	JBASIC UPPER CLAMP LEFT COMPLETE UPPER LEFT CLAMP	
6	JBHDWUR	JBASIC UPPER CLAMP RIGHT COMPLETE LOWER RIGHT CLAMP	
6	JBHDWH	JBASIC CLAMP HARDWARE (PAIR) COMPLETE CLAMP HDW, L & R	
6	101575S	ASSM MNT HRDW RH BASIC BK Right	
6	101576S	ASSM MNT HRDW LH BASIC BK Left	
7	JBHDWUB	JBASIC UPPER CLAMP BOLTS ALL BOLTS, LEFT OR RIGHT	

BACKREST BRACKETS



Pos.	Item Number	Description	Remarks
1	22503274-002	BACKCUSHION BRACKET SET FOR FLEXIBLE CUSHION	FOR TOOLADJUSTABLE BACK
2	22503274-001	BACKCUSHION BRACKET SET FOR FIXED CUSHION	FOR TOOLADJUSTABLE BACK
3	22503274-003	BACKCUSHION BRACKET SET FOR FIXED CUSHION	40° AND 60° BACK
4	22503274-004	BACKCUSHION BRACKET SET FOR FLEXIBLE CUSHION	40° AND 60° BACK
5	22503275	QUICK RELEASE MOUNTING SET	FOR TOOLADJUSTABLE BACK
6	9003177-ET	SLOT NUT 10 PCS./PACK	
7	066901-003-ET	SCREW FOR FLEXIBEL CUSHION 10 PCS./PACK	FOR TOOLADJUSTABLE BACK
8	22503270-ET	ADAPTER BRACKET FOR SW380 2 PCS./PACK	

HEADREST MOUNTS



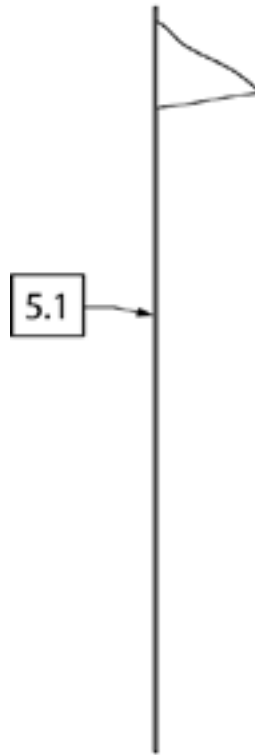
Pos.	Item Number	Description	Remarks
3	20009005-003	WHITMYER HEADREST MOUNT, AXYS	
4	20009005-004	WHITMYER HEADREST MOUNT, AXYS OFFSET	
8	22509006-001	HEADREST MOUNT BACKFRAME, TOOL ADJUSTABLE BACKREST	
9	22509006-002	HEADREST MOUNT SHORT, BACK CUSHION MOUNT	
10	22509006-003	HEADREST MOUNT BACK FRAME, 40 AND 60 DEGREE BACKREST	
11	000102242-ET	SCREWS FOR HEADREST MOUNT BACKFRAME	4 PCS./PACK
12	000233033	QUICK RELEASE LEVER	
13	000233061	KNOB	

CEINTURE



Pos.	No. D'Item	Description	Remarques
1	CM-750270	Ceinture	

SAFETY FLAG



Pos.	Item Number	Description	Remarks
5.1	000 228 229	Safety flag	